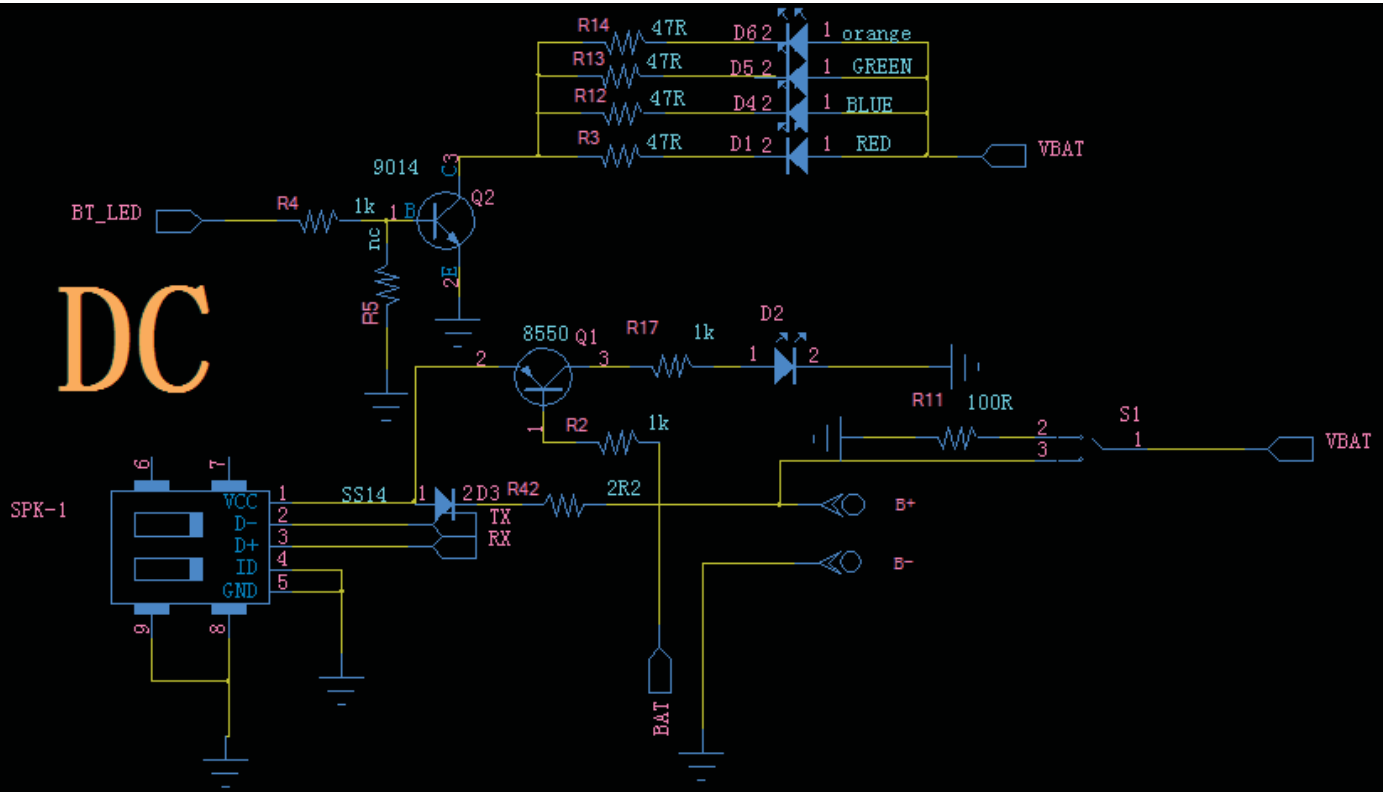
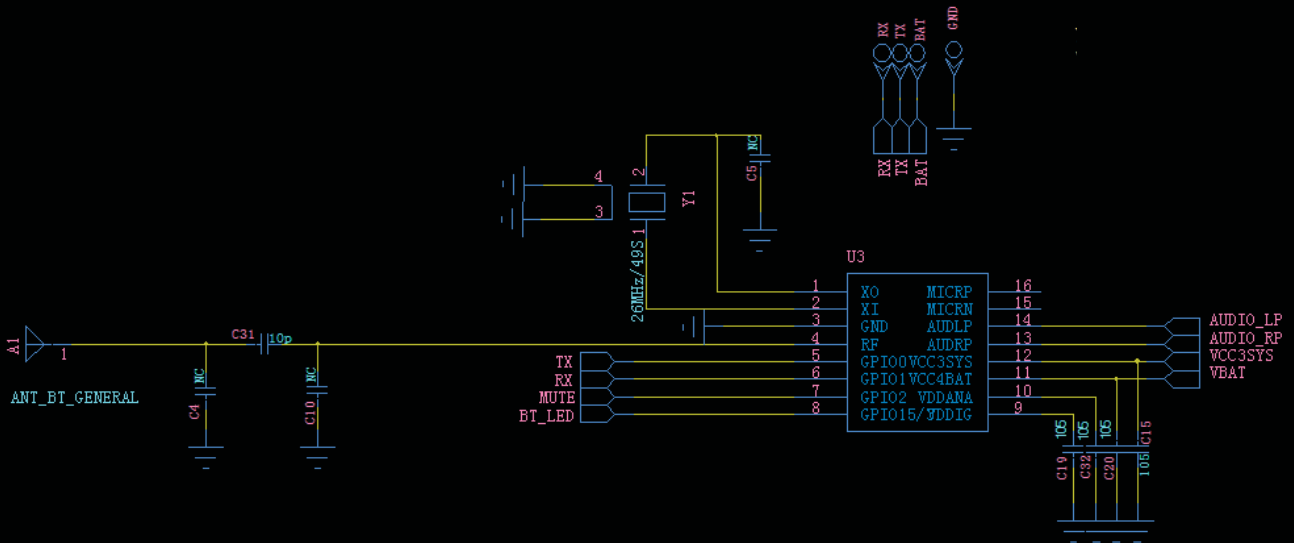


DC



BT



AMP

