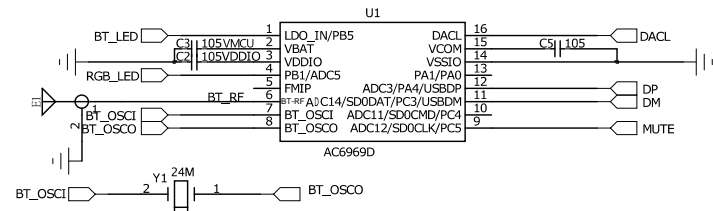
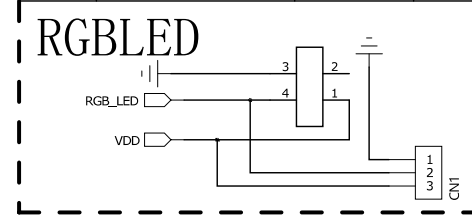


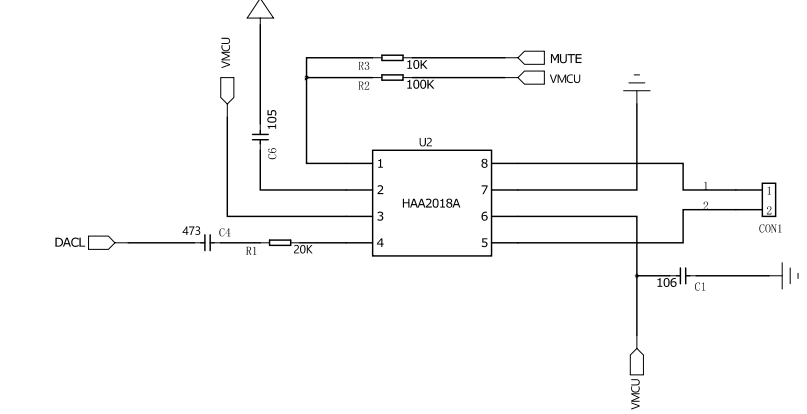
MCU



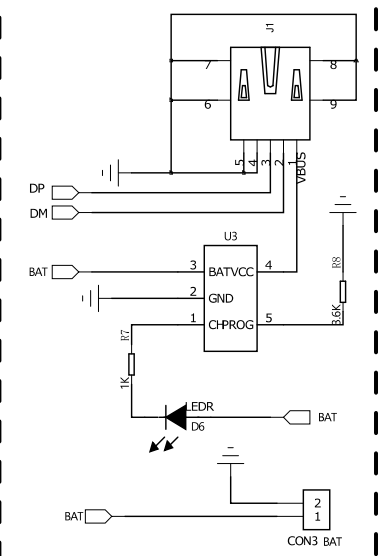
| REVISION RECORD | | | |
|-----------------|---------|-----------|-------|
| LTR | ECO NO: | APPROVED: | DATE: |
| | | | |
| | | | |
| | | | |



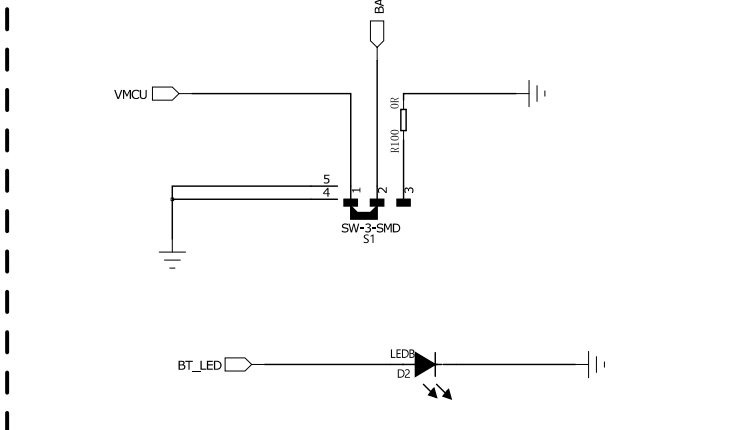
SPK



BAT



POWER/BT_LED



A

| | |
|-----------------------------|--------------------------|
| DRAWN: <Drawn By> | DATED: <Drawn Date> |
| CHECKED: <Checked By> | DATED: <Checked Date> |
| QUALITY CONTROL: <QC By> | DATED: <QC Date> |
| RELEASED: <Released By> | DATED: <Release Date> |

| | | | |
|----------------------------|------------|---------------------------------|--------------------|
| COMPANY: <Company Name> | | | |
| TITLE: <Title> | | | |
| CODE: <Code> | SIZE: B | DRAWING NO: <Drawing Number> | REV: <Revision> |
| SCALE: <Scale> | | | SHEET: 1 OF 1 |