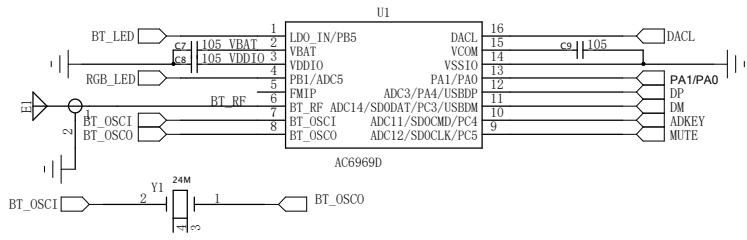
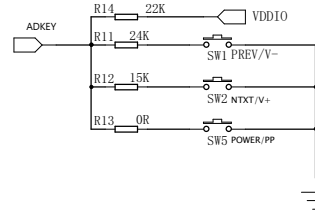


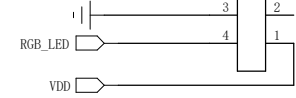
MCU



ADKEY

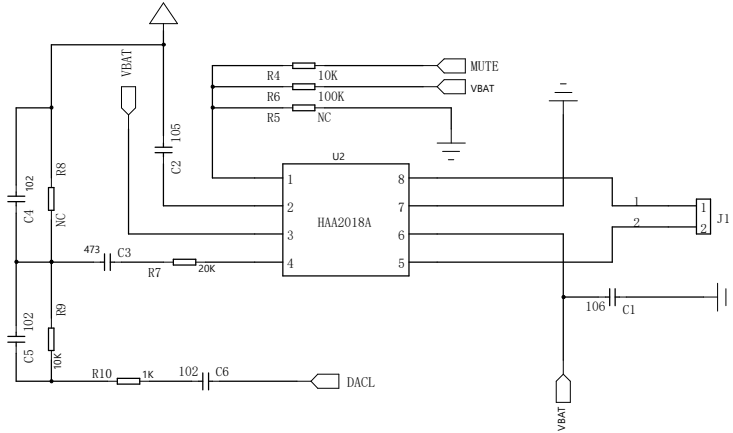


RGBLED

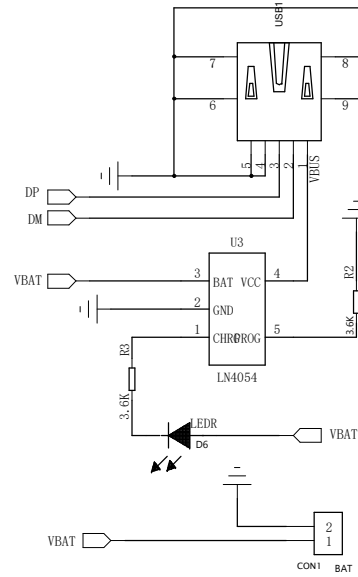


REVISION RECORD			
LTR	ECO NO:	APPROVED:	DATE:

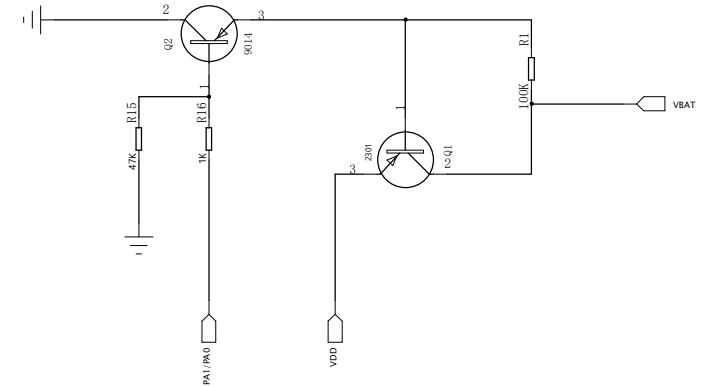
SPK



BAT



MOS



COMPANY:

TITLE:

DRAWN:	DATED:
CHECKED:	DATED:
QUALITY CONTROL:	DATED:
RELEASED:	DATED:

CODE:	SIZE:	DRAWING NO:	REV:
	B		
SCALE:			SHEET: 1 OF 1