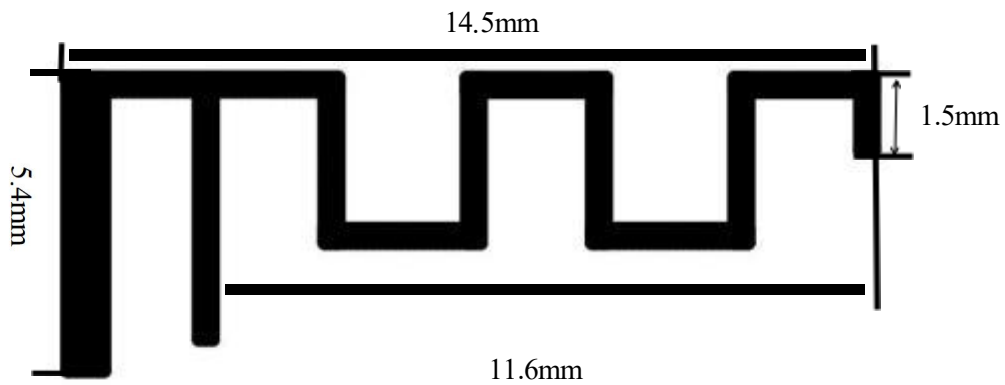


Inverted F Antenna Specification

Summary

ITEM	ANT SPEC					
Model Name	2.4G ANT					
Center Frequency	Horizontal			Vertical		
	2400MHz	2440MHz	2480MHz	2400MHz	2440MHz	2480MHz
	-1.73dBi	-0.84dBi	-0.68dBi	-6.15dBi	-3.70dBi	-2.32dBi
MAX. Gain	-0.68					
Polarization	Horizontal and Vertical					
Azimuth Beam Pattern	Omni-directional					
Impedance	50 Ohm					
Antenna Length	38.20mm					
Manufacture	ZHUHAI JIELI TECHNOLOGY CO.,LTD					
address	333 Kexing Road, Xiangzhou District, Zhuhai City					

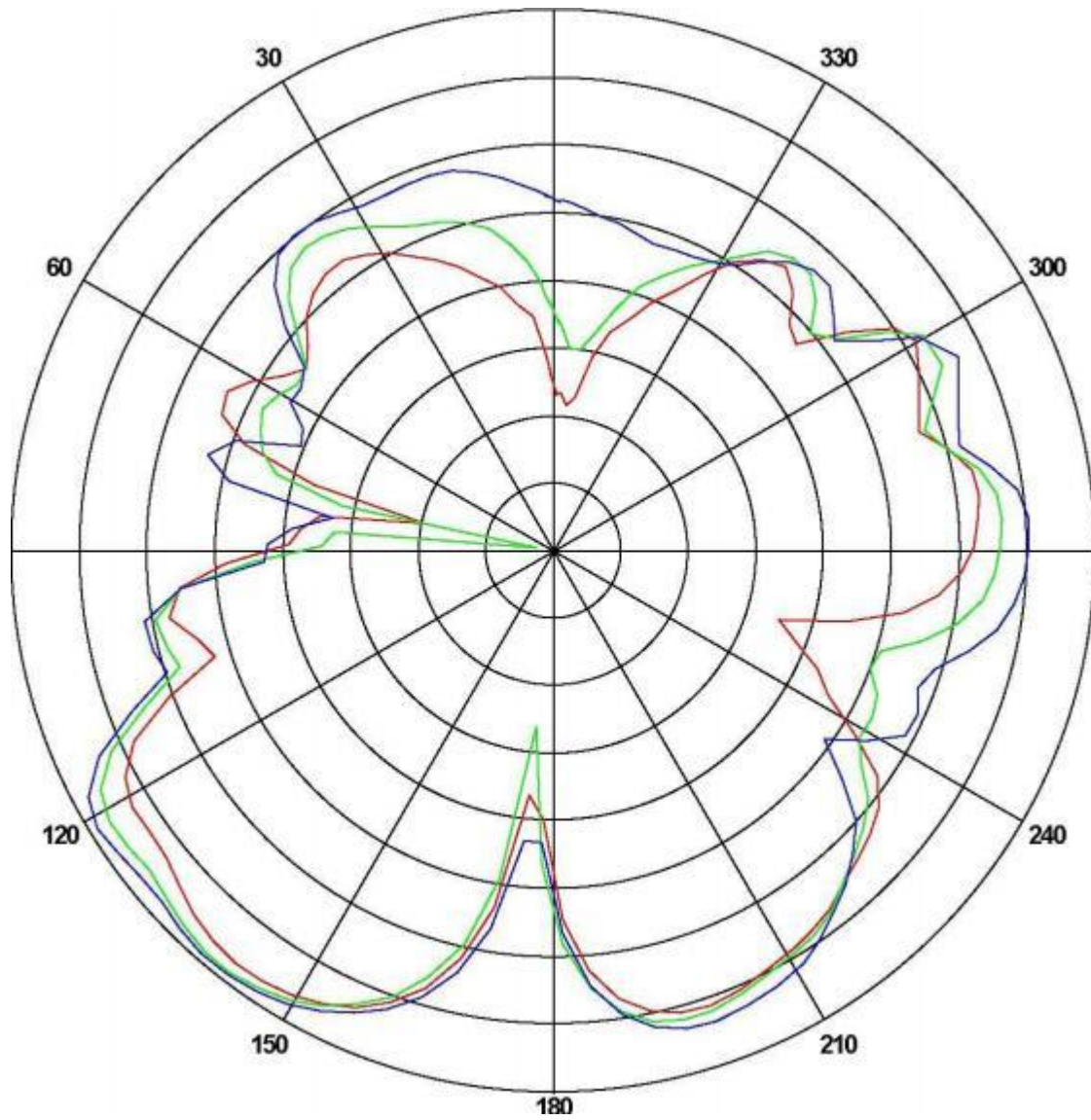
Antenna Photo & Length (mm)



Horizontal: 2400 MHz 2440 MHz 2480 MHz

Power (dBm)

Max: 0 Min: -40 Scale: 5/div

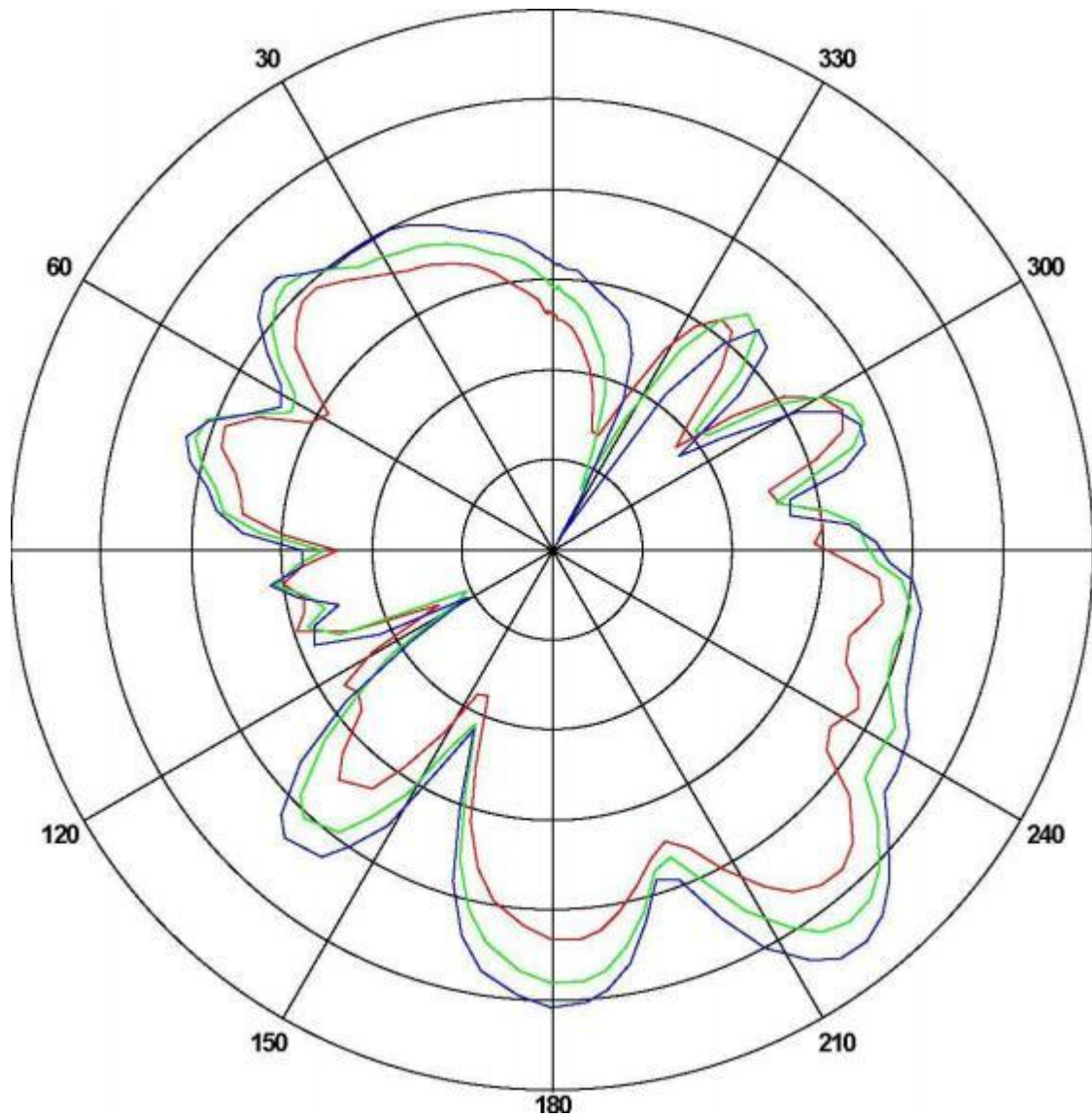


Frequency (MHz)	Gain(dB)		
	Max	Min	Avg
2400	-1.73178	-30.0815	-8.48713
2440	-0.845801	-38.5605	-7.88012
2480	-0.685586	-24.0318	-6.79139

Vertical: 2400 MHz 2440 MHz 2480 MHz

Power (dBm)

Max: 0 Min: -30 Scale: 5/div



Frequency (MHz)	Gain(dB)		
	Max	Min	Avg
2400	-6.1530	-24.1420	-13.0295
2440	-3.7054	-26.5836	-10.6700
2480	-2.32122	-30.4301	-9.70536

ANT Test Labs: Attestation of Global Compliance Co., Ltd.