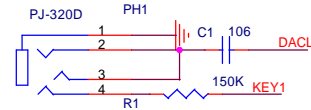
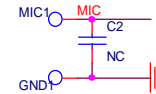


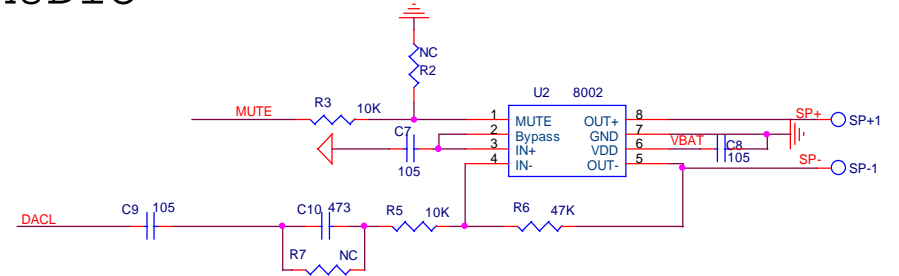
LIN



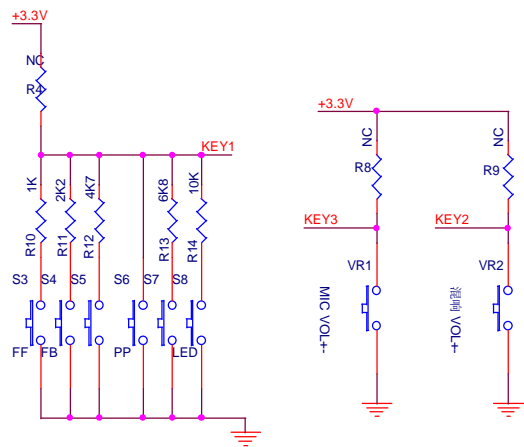
MIC



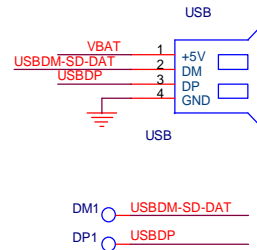
AUDIO



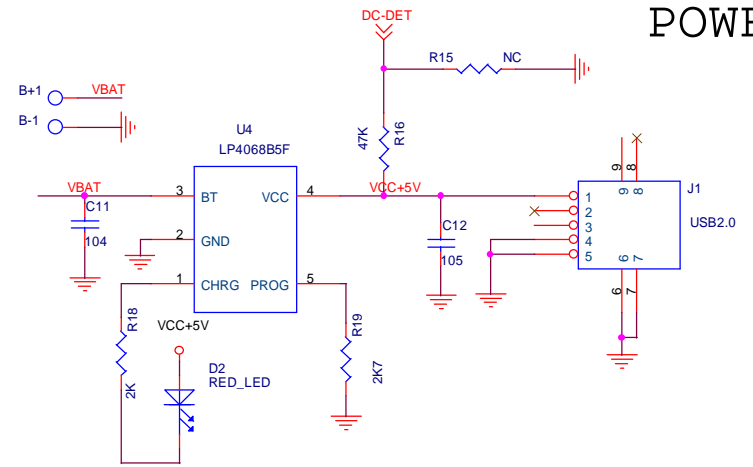
KEY



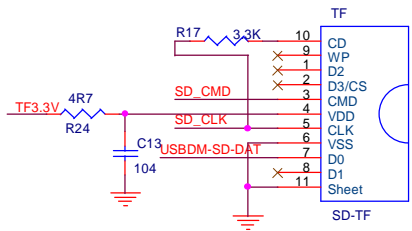
USB



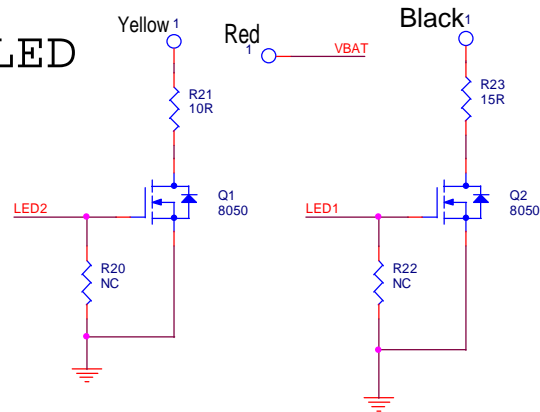
POWER

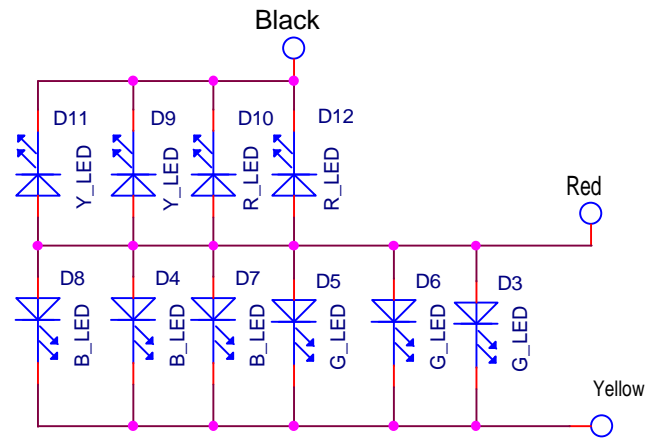


TF



LED





A

A