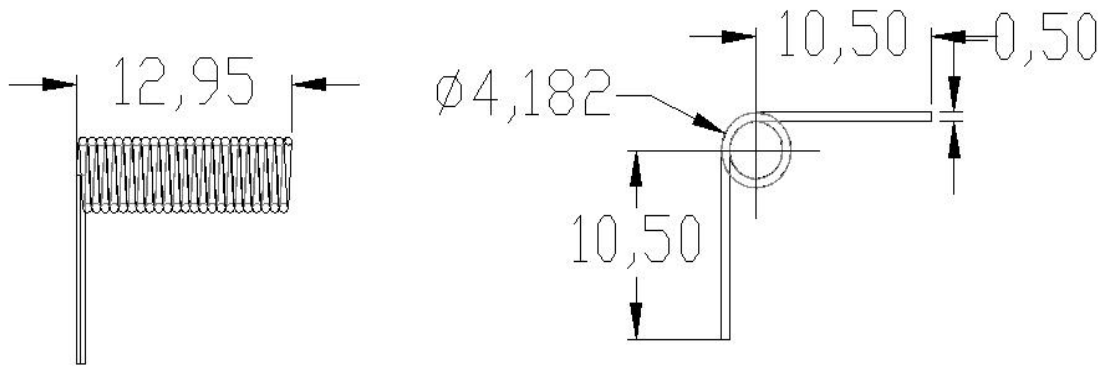


Putian Xuyang Electronics Co., LTD

Part specification				
Name	Hollow coil	product specification		23 coils of hollow coil
Part name	coil			
Test Item	Specifications		Measured Value	
Size	Coil: 12.95MM long + 4MM outer diameter		Coil: length 12.95MM+ outer diameter 4.182MM	
Impedance	75 Ohm		Antenna Gain	0dB/UV
Tinning effect	Good		OK	
Appearance	Coil flat: Coil surface winding flat			visual check
	Pin: Pin 10.5MM, dip tin 5MM-7MM			visual check
	Wire head tin: wire head tin, solder joint surface smooth			visual check



Modification time	revise content	Modified By	Audit/Date	Date of approval

Note: Test tools: tin furnace, vernier caliper, LCR bridge, visual
 This material is environmentally friendly parts!
 Tabulation/Date Wu Guoshui Audit/Date Approval/date

Incoming dispatches	Quality Control Department	Purchasing Department	Product department