

Dongguan Chuangxin Microelectronics  
Technology Co., Ltd.  
acknowledgment

Customer name: Kaneng electronic

Product name: 2.4GOnboard antenna

Manufacturer: Dongguan Chuangxin Microelectronics Technology Co.,  
Ltd.

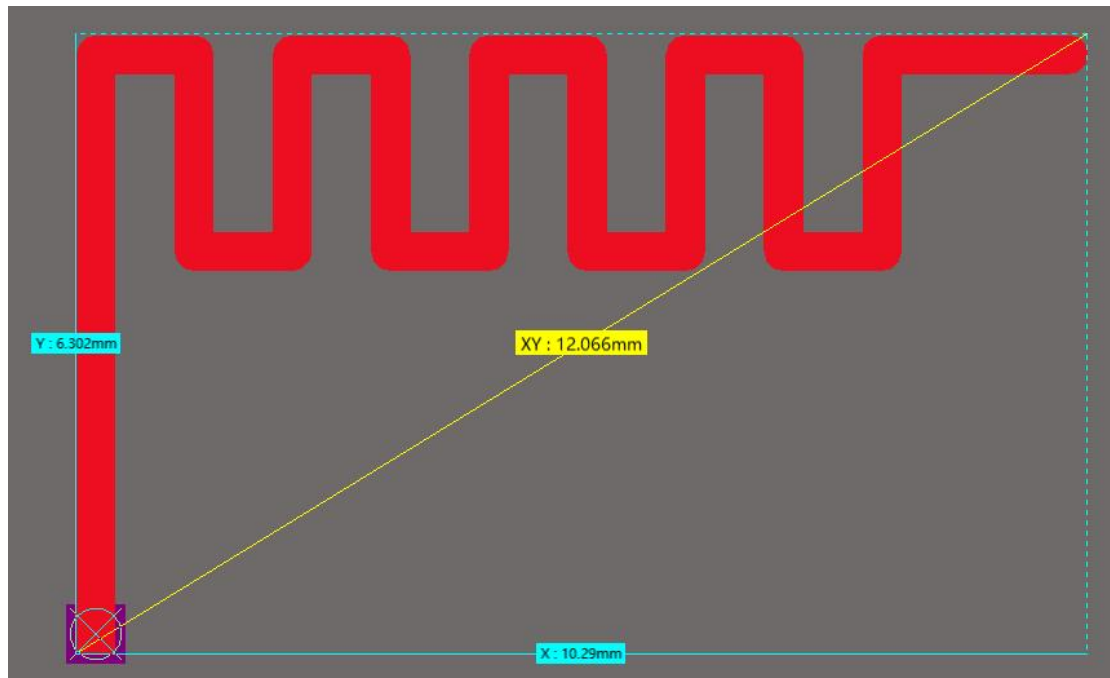
Address: Room 805, Building 1, No.16 Keji 4th Road, Songshan  
Lake Park, Dongguan, Guangdong.

## 1.Specification Table

Main technical parameters of products

Frequency range (Mhz)	2400-2500
Characteristic impedance ( $\Omega$ )	50
Gain (dBi)	3.08
Output voltage standing wave ratio	$\leq 2.0$
Polarization mode	Linear polarization

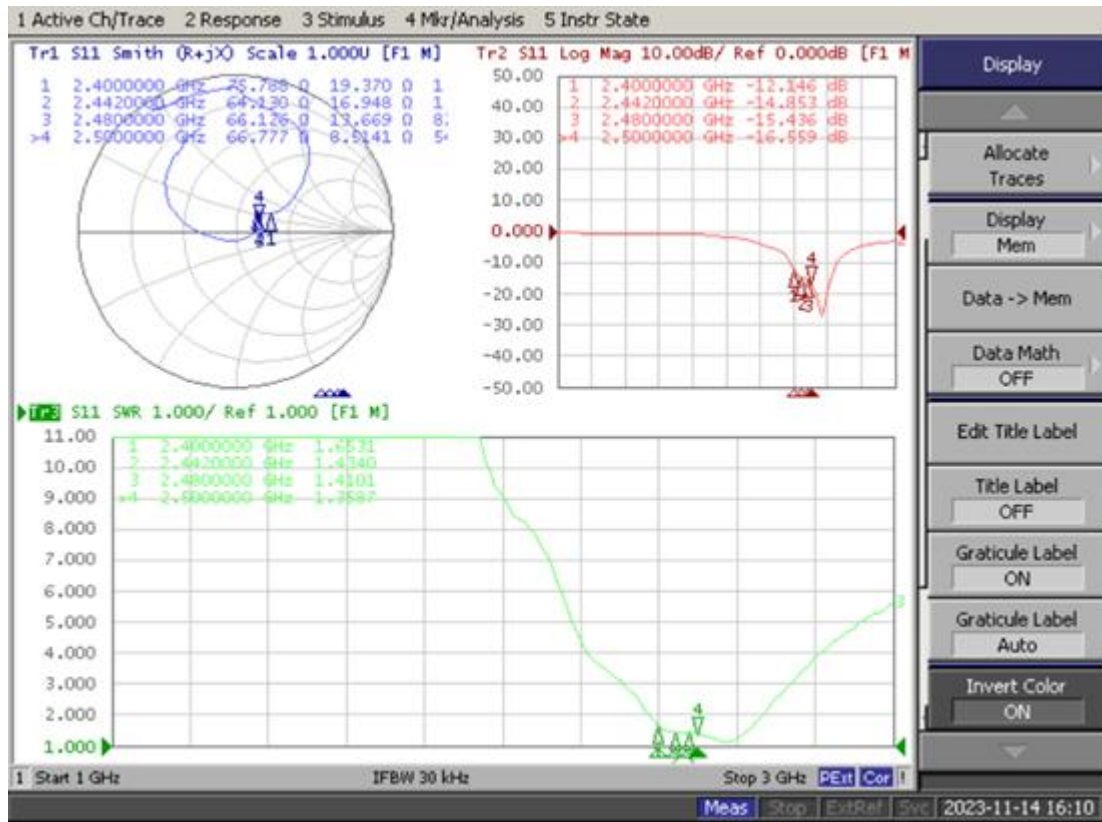
## 2.Dimensional drawing



Measure: 6.3mm\*10.29

### 3. Test report (prototype test report only)

#### 3.1: Network analyzer test report



#### 3.2: Darkroom 2D and 3D machine data

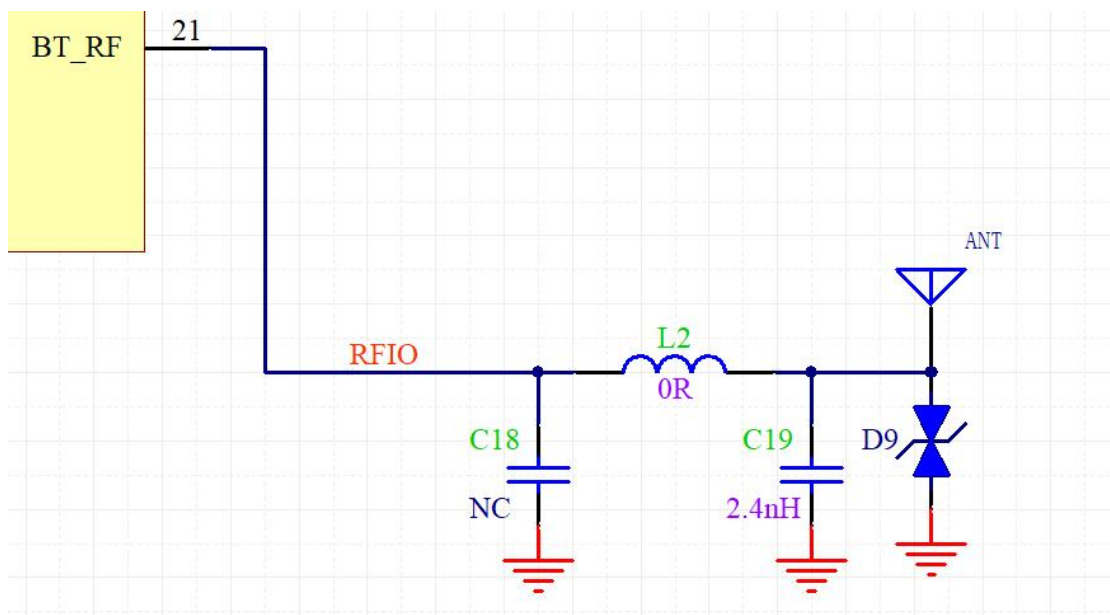
##### 3.2.1 Efficiency and gain

Frequency (MHz)	2400	2450	2500
Avg. Gain (dBi)	2.85	3.08	1.67
Efficiency (%)	47.54	48	48.34

### 3.2.2 Active test report

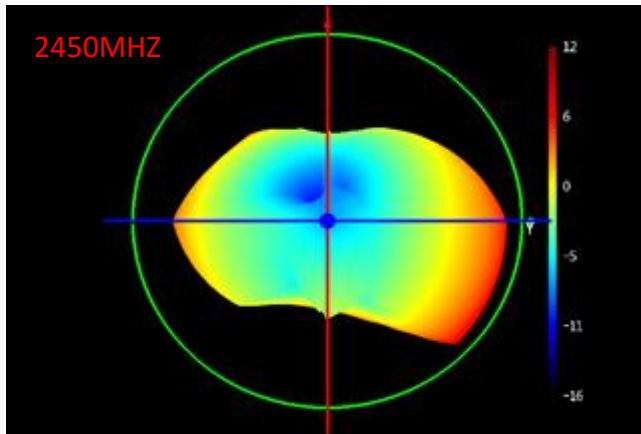
earphone	Head mold		freedom	
	TRP	TIS	TRP	TIS
0	5.43	-91.19	6.12	-91.88
39	5.39	-92.39	6.17	-93.35
78	4.95	-91.89	6.06	-92.95

### 3.2.3 matching circuit

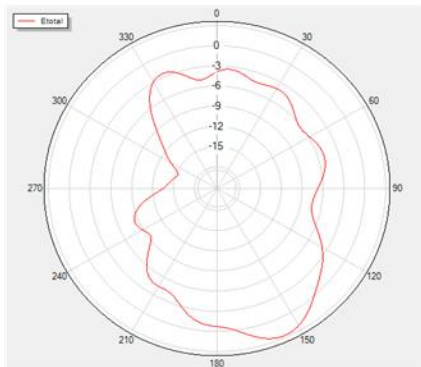


### 3.2.4 2D/3D Field pattern diagram

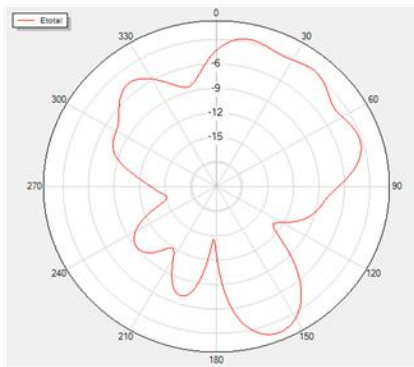




Theta=90 Freq=2400MHz



Phi=90 Freq=2400MHz



Phi=0 Freq=2400MHz

