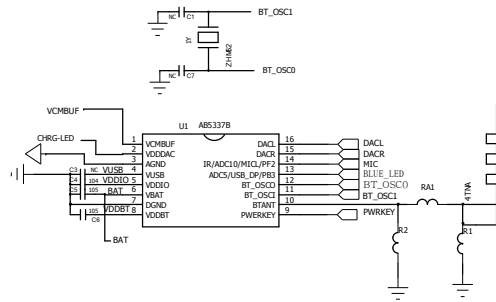
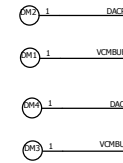
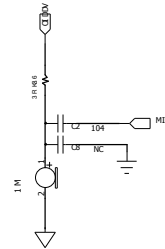


REVISION RECORD			
LTR	ECD NO:	APPROVED:	DATE:

### Main chip Part

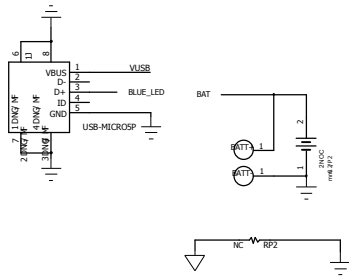


### MIC part

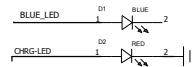


### Speaker Point

### Charge circuit

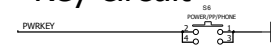


### LED driven by internal 300Ω chip inside



AGND should be close to BATT-

### Key circuit



COMPANY:

TITLE: BT-02-AB5337B\_V1.0

DRAWN:	DATED:
CHECKED:	DATED:
QUALITY CONTROL:	DATED:
RELEASED:	DATED:

CODE:	SIZE:	DRAWING NO:	REV:
	C		
SCALE:			SHEET: 1