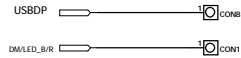
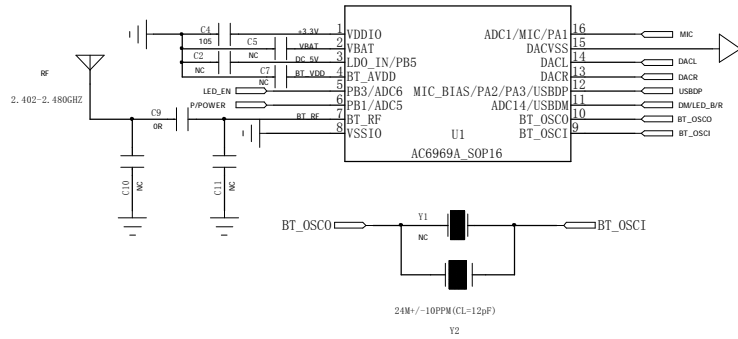
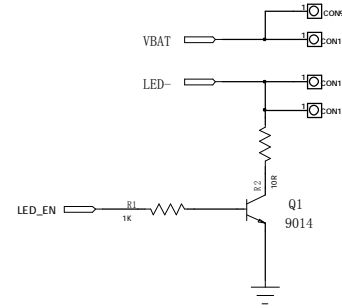


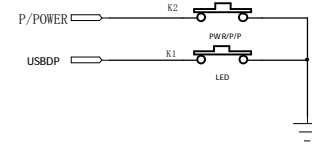
MCU_AC6969A



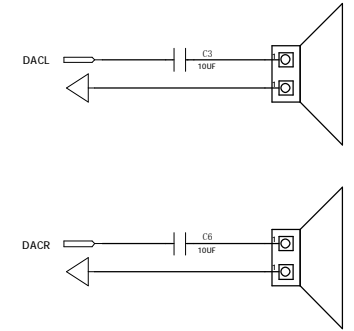
LED



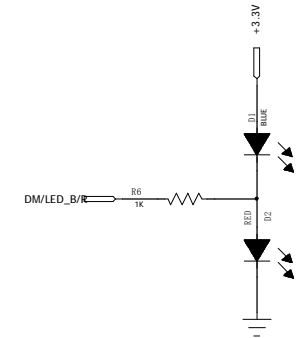
KEY



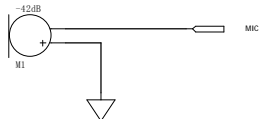
Earphone



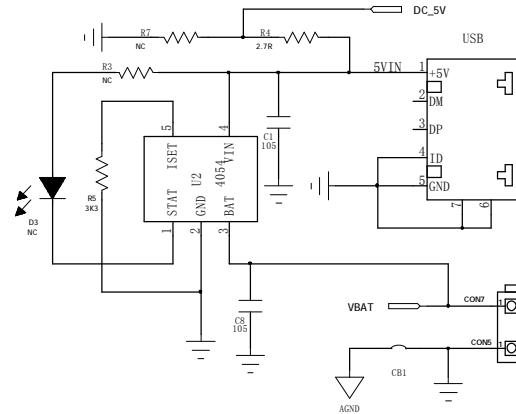
LED



MIC



POWER



PCB File Name		
Title		
Size B	Document Number	Rev 2.0
Date: 2007/9/12	Sheet 1 of 1	