

产品规格承认书

SPECIFICATIONS

客户:

CUSTOMER: _____

产品名称:

DESCRIPTION: _____ PCB antenna _____

客户型号:

CUSTOMER MODEL No: _____

产品型号:

PRODUCT MODEL No: _____ ZPP3201X _____

日期:

DATE: _____

ZHUHAI JIELI TECHNOLOGY CO.,LTD
Address:No.333 Kexing Road, Xiangzhou District, Zhuhai

Operating Temp. : -40°C~+85°C

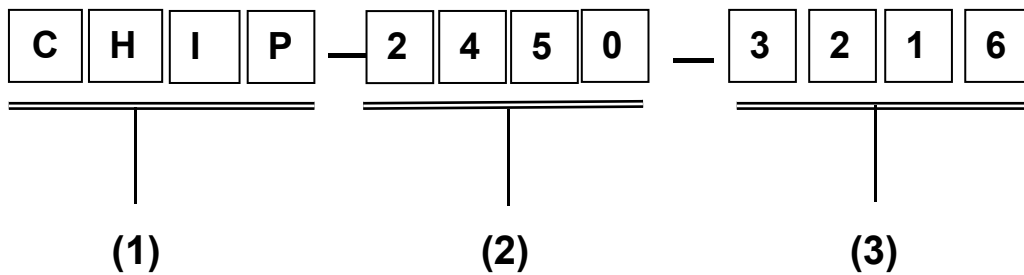
1. FEATURES:

- Light weight, compact
- Wide bandwidth, low cost

2. APPLICATIONS:

- Bluetooth, Wireless LAN, Mobile TV
- Home RF System, etc

3. PRODUCT IDENTIFICATION

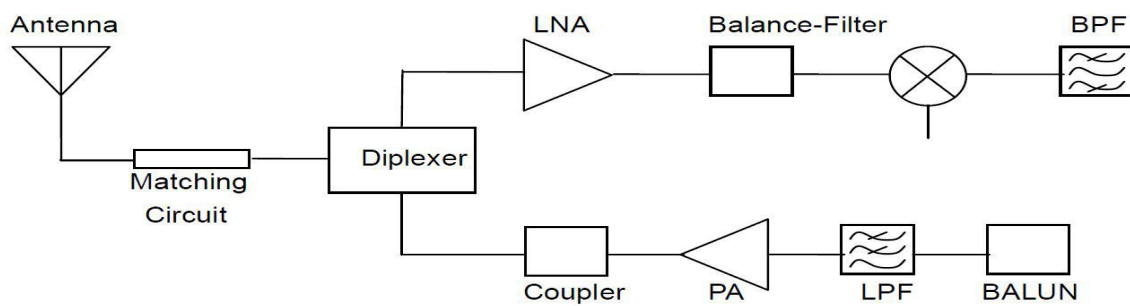


- (1) Product type: PCB Antenna
(2) Center Frequency: 2450MHz

4. SHAPE :



APPLICATION GUIDE

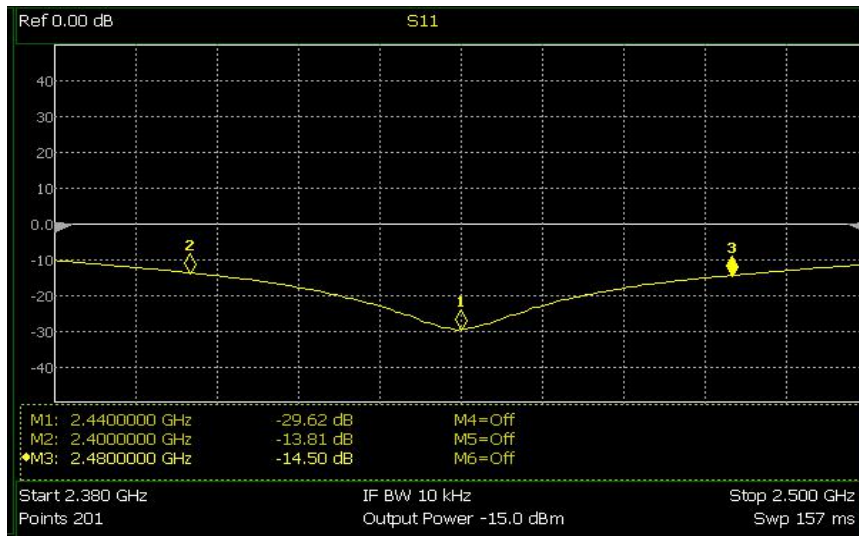


5. SPECIFICATIONS:

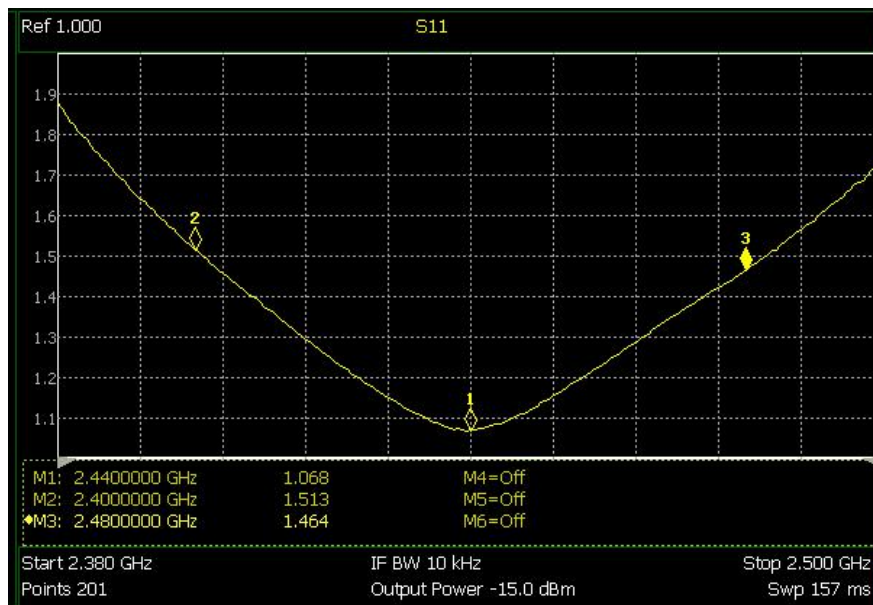
Test Item	Specifications
Bandwidth	2400-2483MHz
Polarization mode	Linear polarization
* Maximum gain	-0.68dBi
* Efficiency	72.3%
Input Impedance	50Ω

6. Electrical Characteristics :

Return loss



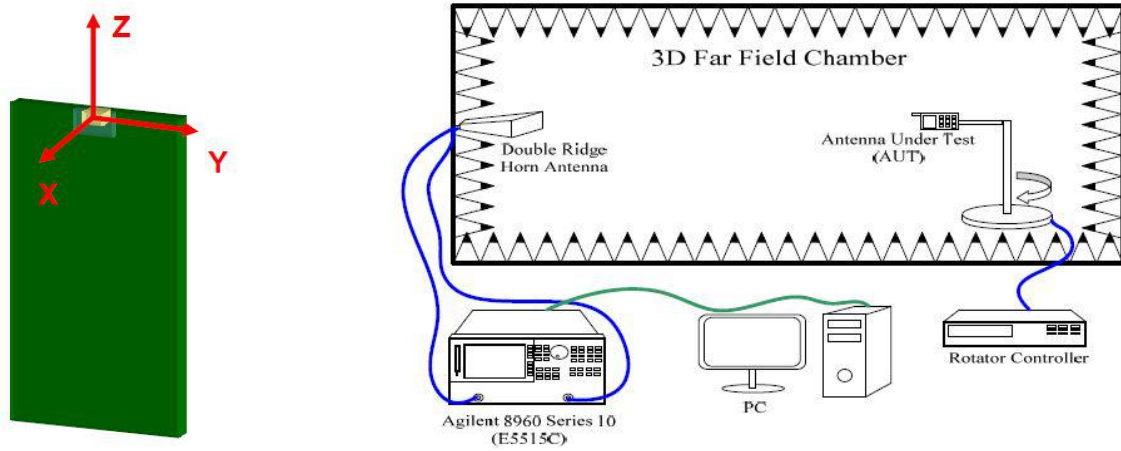
Standing wave ratio



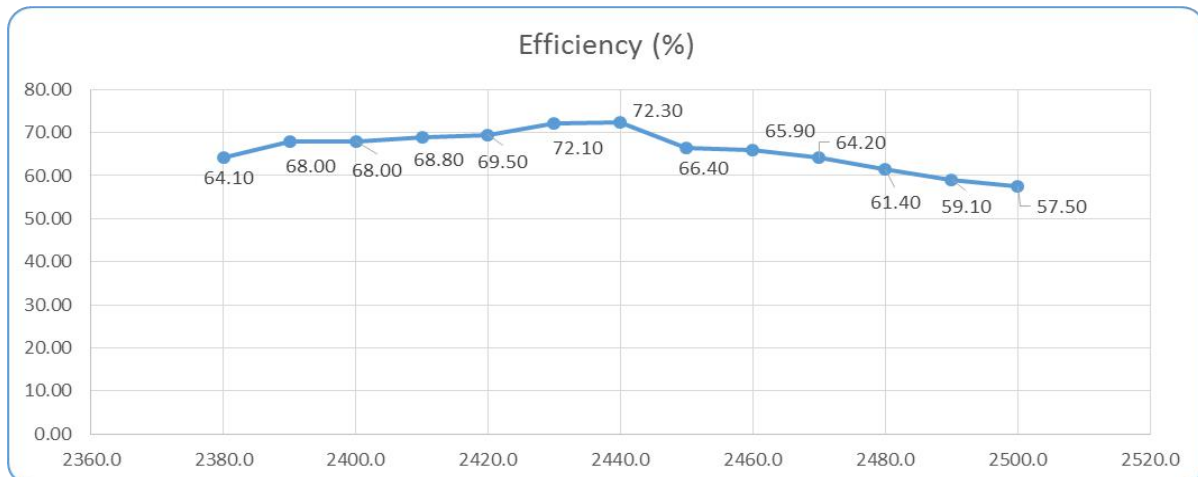
Mark	Frequency	VSWR
1	2400 MHz	1.513
2	2440 MHz	1.068
3	2480 MHz	1.464

Radiation Pattern

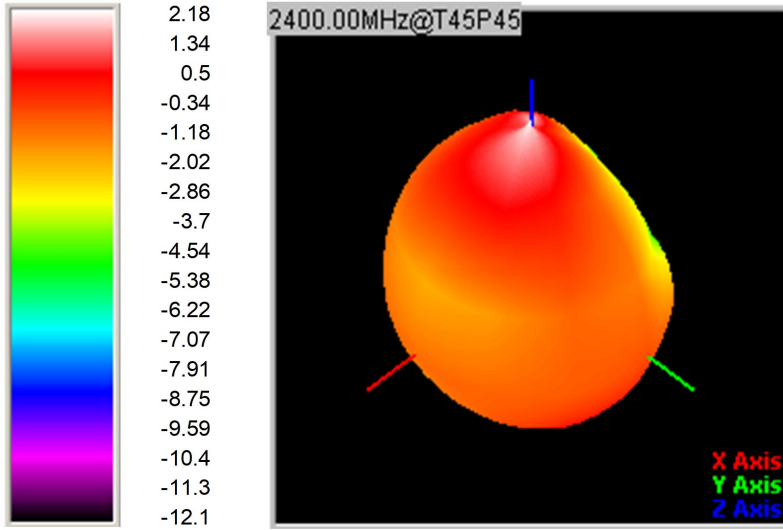
The Gain pattern is measured in FAR-field chamber. DUT is placed on the table of rotator, a standard horn antenna and Vector Network Analyzer is used to collect data.



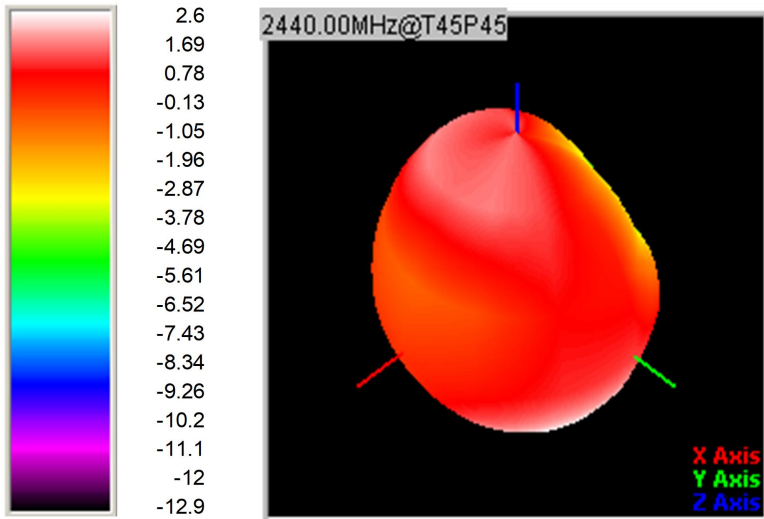
© Efficiency



© 3D Gain Pattern (2400 MHz)



© 3D Gain Pattern (2440 MHz)



© 3D Gain Pattern (2480 MHz)

