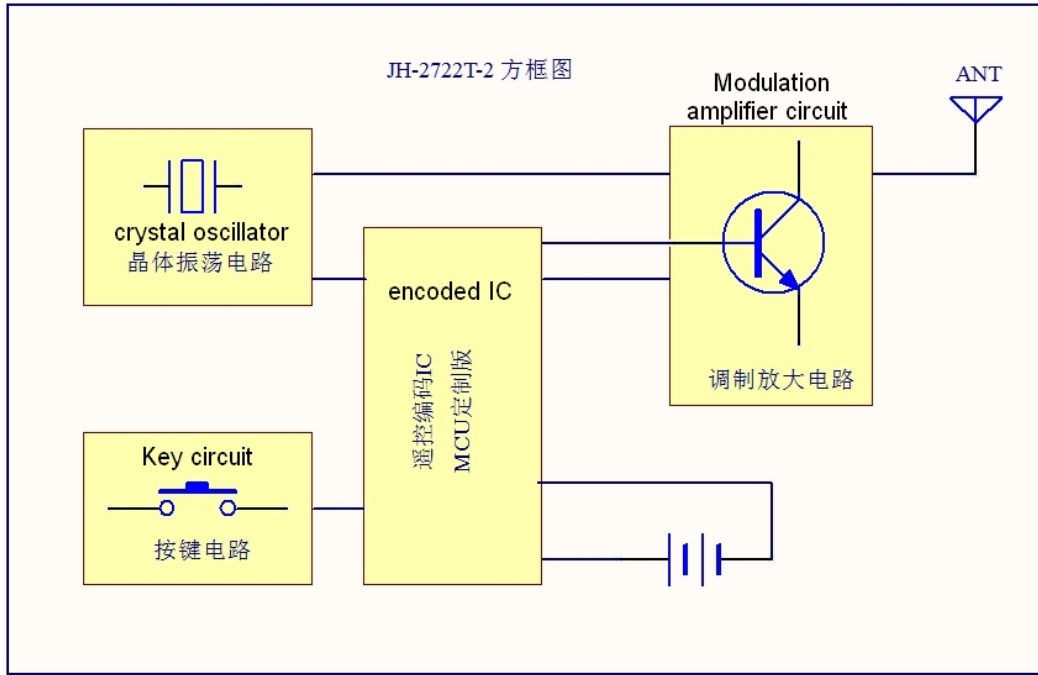


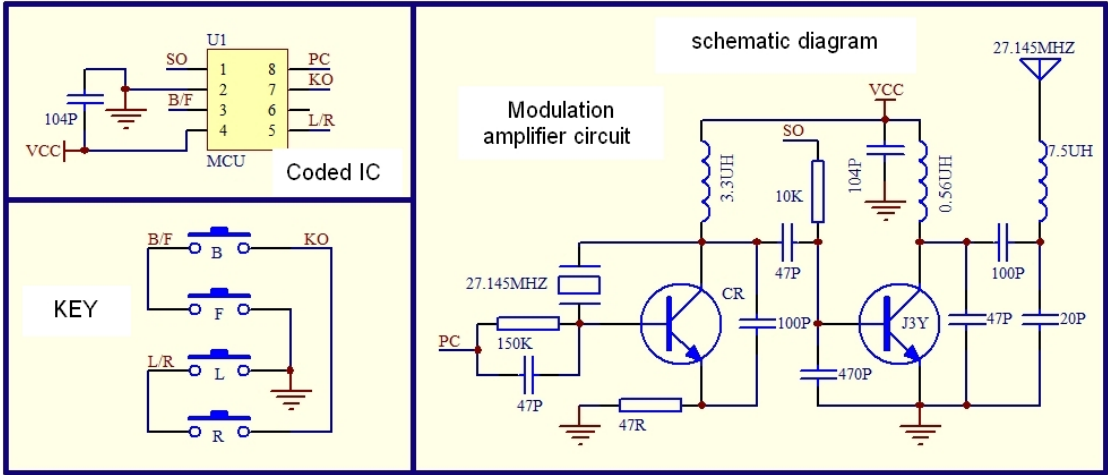
Circuit Description

Using TX2-5 remote Control vehicle Special coding IC and peripheral oscillation modulation amplification circuit. When the function button is pressed by the IC encoded into a set of binary serial code, by the modulation circuit to load the encoded signal into the carrier, amplified by amplification circuit and emitted by the antenna

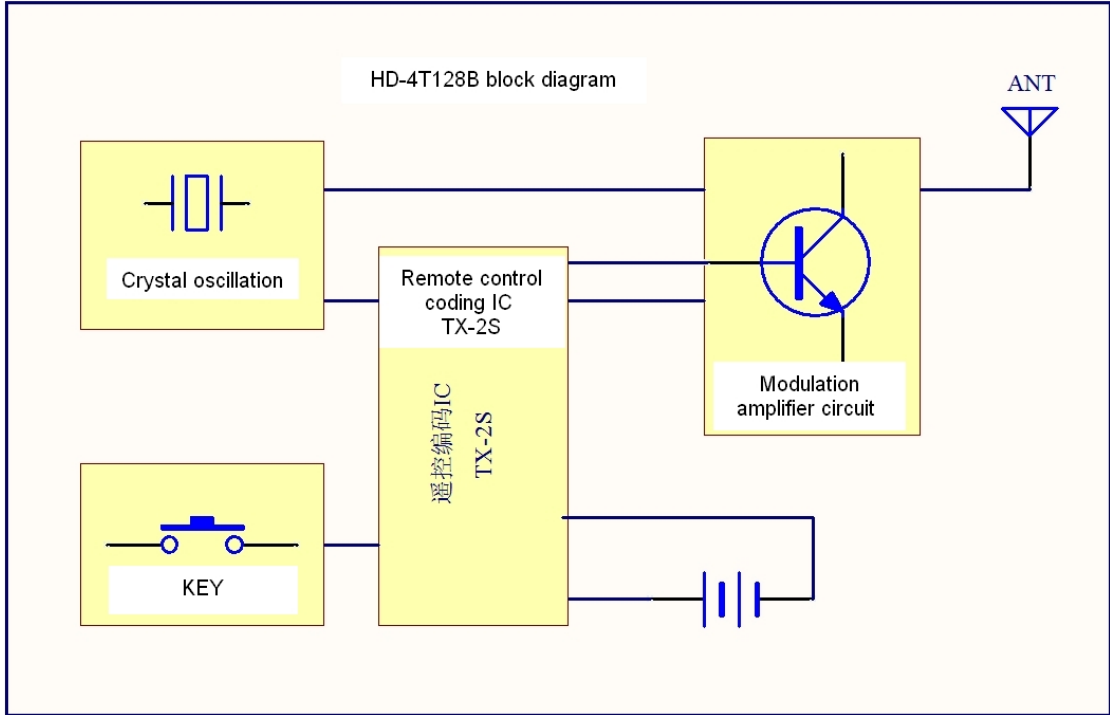
The working frequency is 27.145MHz.

JH-2722T-2 方框图





HD-4T128B block diagram



文件名: 新建 Microsoft Office Word 文档
目录: C:\Users\sz061\Documents
模板: C:\Users\sz061\AppData\Roaming\Microsoft\Templates\Normal.dotm

标题:
主题:
作者: sz061
关键词:
备注:
创建日期: 2018/10/12 15:16:00
修订号: 9
上次保存日期: 2018/10/19 17:19:00
上次保存者: sz061
编辑时间总计: 7 分钟
上次打印时间: 2018/10/19 17:20:00
打印最终结果

 页数: 5
 字数: 74 (约)
 字符数: 428 (约)