

Dongzhen electronics co., ltd

## 天线规格承认书

### Antenna Specification for Approval

客户名称

Customer Name: Zeeva International Limited

产品名称: \_

Product Name: 2.4G antenna is 4 2 black in length.

客户型号:

Product Name: \_\_\_\_\_

产品料号:

Part NO. : 14\*0.12\*1.4PVC

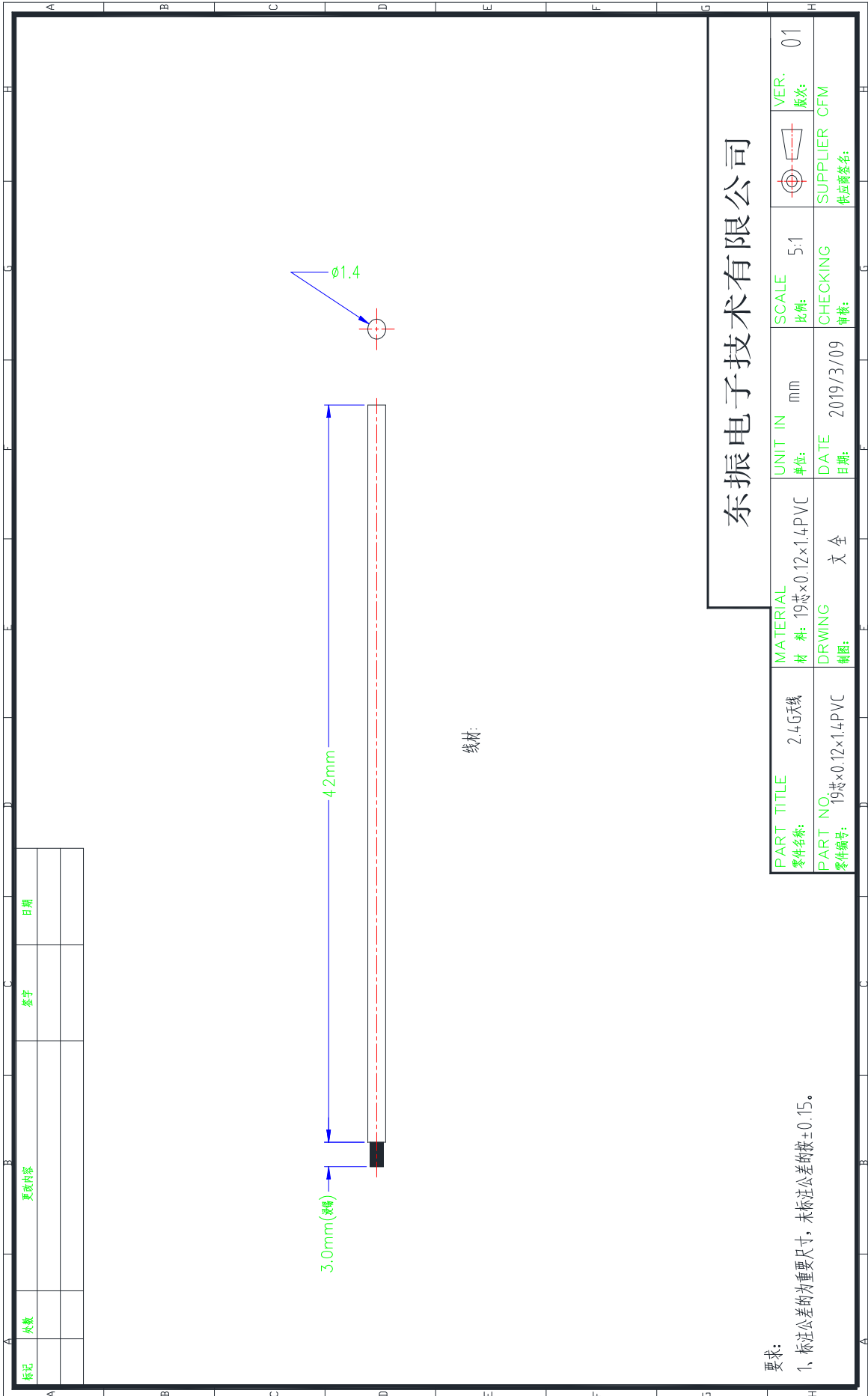
制表:

Write By: Zhou Min

日期:

Issued Date: 2019-3-8

Manufacturer: Dongzhen Electronics Co., Ltd. Address:  
Yangjiaqiao Village, Sandun Town, Xihu District, Hangzhou,  
Zhejiang Province



线材

# 东振电子有限公司

标记	次数	更改内容	签字	日期

PART TITLE 零件名称:	2.4G天线	MATERIAL 材料:	19芯×0.12×1.4PVC	UNIT IN 单位:	mm	SCALE 比例:	5:1	VER. 版本:	01
PART NO. 零件编号:	19芯×0.12×1.4PVC	DRAWING 制图:	文全	DATE 日期:	2019/3/09	CHECKING 审核:		SUPPLIER CFM 供应商签名:	

要求:

- 1、标注公差的重要尺寸，未标注公差的按±0.15。

# Product Specification

## A. Electrical Characteristics

Frequency 2400MHz ~2500MHz

VSWR <1.0

Efficiency >20%

Impedance 50 Ohm

Polarization Line

Gain 0DBi

## B. Material & Mechanical Characteristics

Material of Radiator Cu

Cable Type 1.4

Connector Type : NO

Dimension

## C. Environmental

Operation Temperature - 30 °C ~ + 80 °C

Storage Temperature - 30 °C ~ + 85 °C

# Test Equipment & Conditions

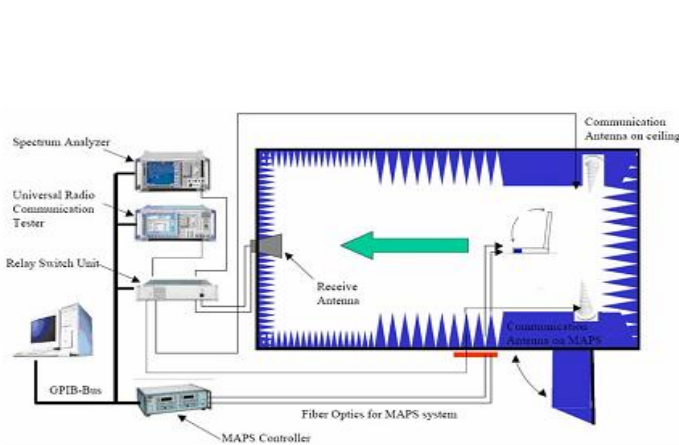
## 1. Network Analyzers :

Agilent 8753D 5071B

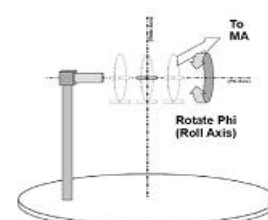
## 2. Communications Test Set:

Agilent E5515C

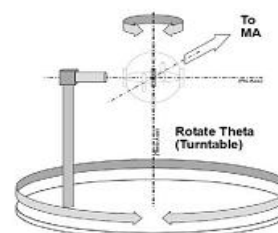
## 3. 3D Chamber Test System



(Testing by 3D anechoic chamber)



Phi axis test

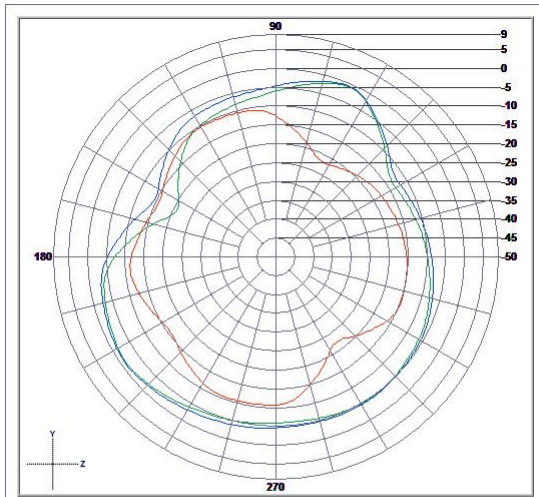


Theta axis test

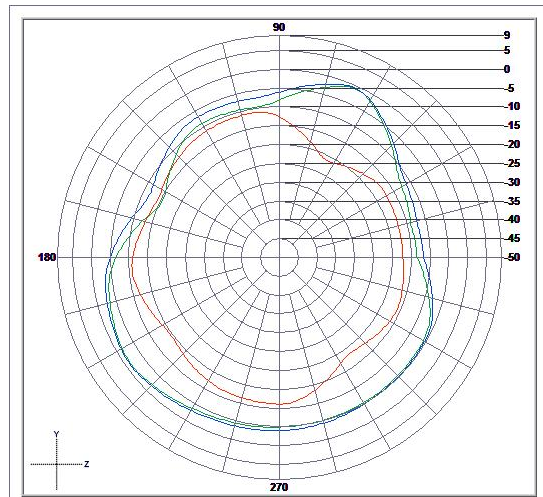
## Efficiency & Gain

2.40	0.00
2.440	-0.12
2.48	-0.17

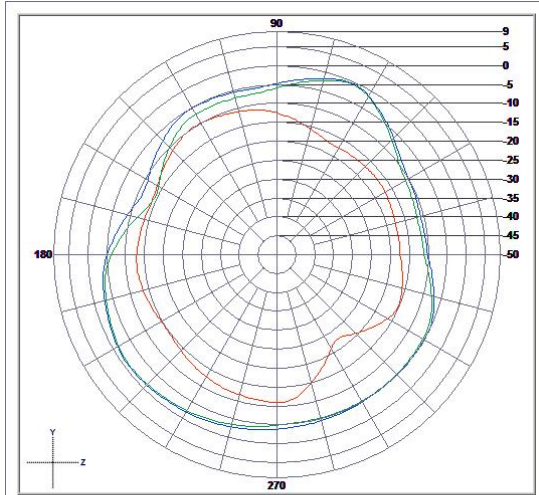
## Radiation Pattern:



	Vertical	Horizontal	Total
Avg. Gain	-13.14	-5.08	-4.45
Peak Gain	-10.08	-0.03	-0.01



	Vertical	Horizontal	Total
Avg. Gain	-13.34	-5.06	-4.46
Peak Gain	-10.3	0.09	0.12



	Vertical	Horizontal	Total
Avg. Gain	-13.42	-4.6	-4.06
Peak Gain	-9.47	0.1	0.17

