

Size: 16.53(W) x 8.66(H)in  
420(W) x 220(H)mm

**AGES  
8+**

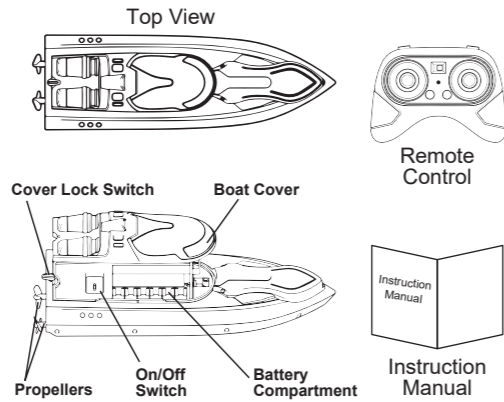
# REMOTE CONTROL WATER BLASTER LED SPEED BOAT

## Instruction Manual

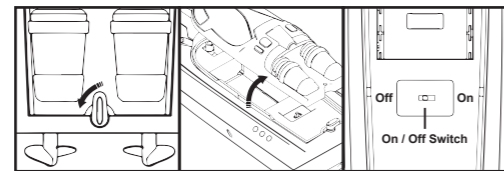
Thank you for purchasing the RC Water Blaster LED Speed Boat. This manual provides more information about this product, please read the instructions before using.



### Product Overview



### Boat Power On/Off



1. Rotate the Cover Lock Switch to unlock the cover.
2. Remove the Cover.
3. Slide the ON/OFF Switch to ON to turn on the RC Water Blaster LED Speed Boat
4. Put the cover back in place and lock it.

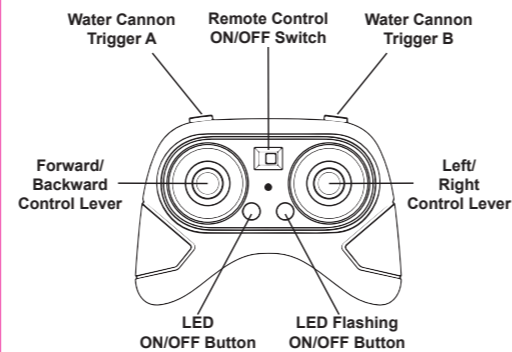
### Package Contents

- RC Water Blaster LED Speed Boat x 1
- Remote Control x 1
- Instruction Manual x 1

### Specifications

Power Supply:  
RC Water Blaster LED Speed Boat Power Supply:  
6 x "AA" 1.5V Batteries (Not Included)  
Remote Control Power Supply:  
2 x "AA" 1.5V Batteries (Not Included)  
Frequency: 2.4 GHz (Blue Boat)  
2.4 GHz (Green Boat)

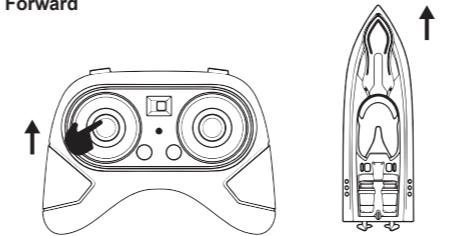
### Remote Control



### Operate Your Boat

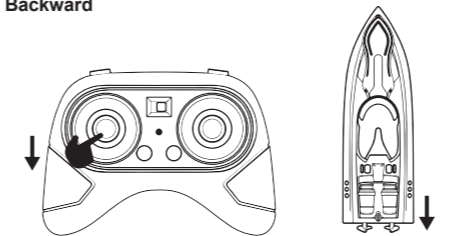
**Note: To avoid losing control, always pay attention when playing the RC Water Blaster LED Speed Boat.**

#### Forward



Push the lever forward to control the boat move forward

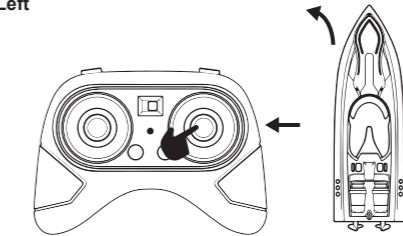
#### Backward



Pull back the lever to control the boat move backward

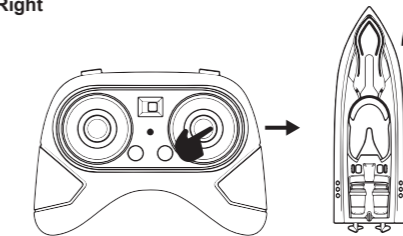
### Operate Your Boat

#### Left



Pull the lever to the left to control the boat turn left

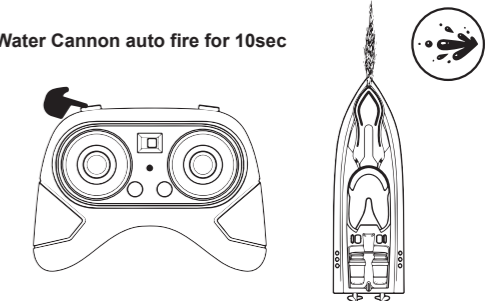
#### Right



Pull the lever to the right to control the boat turn right

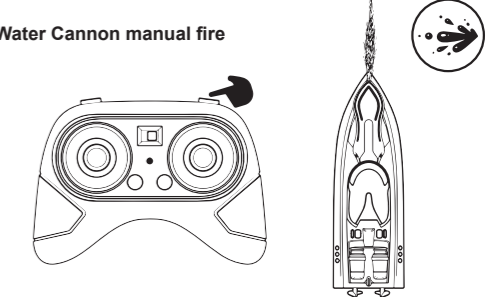
### Operate Your Boat

#### Water Cannon auto fire for 10sec



Press and hold the Water Cannon Trigger A for 2 seconds the water cannon will auto fire for 10 seconds (Short press to cancel)

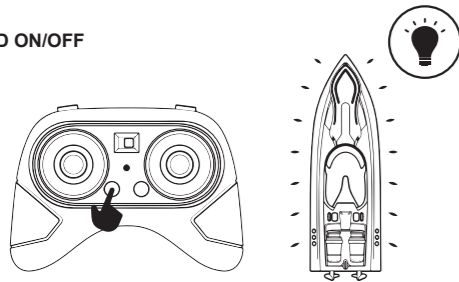
#### Water Cannon manual fire



Press and hold the Water Cannon Trigger B to fire the water cannon (Release the button to cancel)

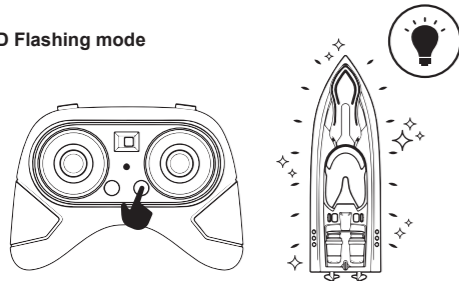
### Operate Your Boat

#### LED ON/OFF



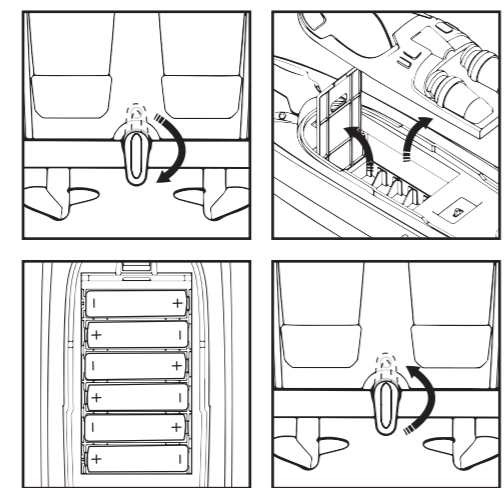
Press the LED ON/OFF button to turn on or turn off the LED

#### LED Flashing mode



Press the LED Flashing ON/OFF button to turn on or turn off the LED Flashing mode

### Batteries Installation-Boat

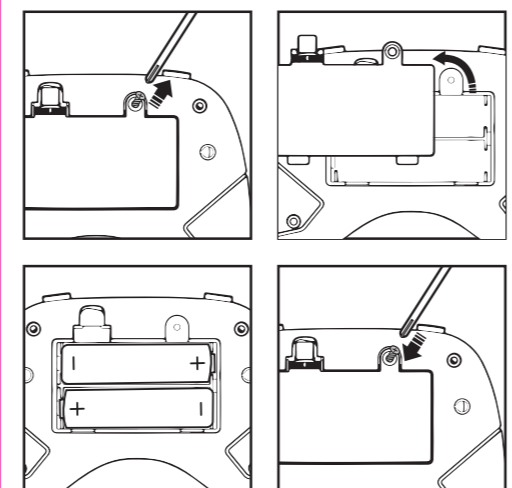


To install batteries into the RC Water Blaster LED Speed Boat, rotate the switch to right to open the boat cover. Insert 6 x "AA" 1.5V batteries (Not Included) into the battery box. Batteries should be placed as shown on the diagram. Put back in place the boat cover and rotate the switch to lock the cover.

#### Notice:

When placing the batteries, you must insert according to the correct polarity, the RC Water Blaster LED Speed Boat won't function if batteries are reversed.

### Batteries Installation-Remote Control



To install batteries into the Remote Control, unscrew the screw on the battery box cover to open the battery compartment. Insert 2 x "AA" 1.5V batteries (Not Included) into the battery box. Batteries should be placed as shown on the diagram. Put back in place the battery box cover and tighten the screw.

#### Notice:

When placing the batteries, you must insert according to the correct polarity, the Remote Control won't function if batteries are reversed.

### Performance Tips

1. Do not drive the RC Water Blaster LED Speed Boat in the sea or lake.
2. Do not drive the RC Water Blaster LED Speed Boat in windy or rainy weather.
3. Do not drive the RC Water Blaster LED Speed Boat into any sharp object.
4. Keep fingers, hair and loose clothing away from the propellers.

### Care and Maintenance

1. Always use dry and soft cloth to clean this product.
2. Avoid this product from being exposed to sunlight or heat.
3. Avoid to immerse this toy into the water with the cover unlocked, otherwise, the electronic parts may be damaged.
4. Check the product regularly. If any damages are discovered, please stop using immediately, until it is completely repaired in good working condition.

### IMPORTANT: BATTERY INFORMATION

#### For AA Batteries

#### ⚠ WARNING: TO AVOID BATTERY LEAKAGE

- 1) Be sure to insert the batteries correctly, and always follow the toy/game and battery manufacturers' instructions.
- 2) Do not mix old and new batteries or alkaline, standard (carbon-zinc) or rechargeable (nickel-cadmium) batteries.
- 3) Always remove weak or dead batteries from the product.
- 4) Remove the battery if the product is left unused for a long period of time.

### Warning

This product is suitable to be used by people who has operating experience in remote toy or aged no less than 8 years old.

Please do not put the product in your mouth to prevent choking hazard of small parts.

Please do not put the finger into available interspaces.

Please do not play the product in a brutal way such as throwing, crashing or twisting it.

Please store the smaller-sized product accessories in places that are out of reach of children, in order to avoid the occurrence of accidents.

Avoid placing the batteries in places in high temperatures and avoid exposure to heat.

When young children are operating the product, it shall be ensured that the adults are guiding and making sure the product control is within the viewing range of the controller (or instructor) so that it makes the control of the toy more convenient.

When the product is not in use, please switch off the power supplies of the toy, and remove the batteries from the product.

Please note that we won't take any responsibility for any wrong operation as this may result in severe injury or loss of property, and we cannot control the operating process during the time when the user assembles or uses this product.

Once this product is sold, we won't be responsible for any safety responsibility during the time the user operates or uses controls this products.

### FCC Statement

This device complies with the part 15 of the FCC rules. Operation is subject to the following two conditions:(1) this device may not cause harmful interference, and (2) this device must accept any interference received, including interference that may cause undesired operation.

Caution: changes or modifications not expressly approved by the party responsible for compliance could void the user's authority to operate the equipment.

NOTE: This equipment has been tested and found to comply with the limits for a Class B digital device, pursuant to Part 15 of the FCC Rules. These limits are designed to provide reasonable protection against harmful interference in a residential installation. This equipment generates, uses and can radiate radio frequency energy and, if not installed and used in accordance with instructions may cause harmful interference to radio or television reception, which can be determined by turning the equipment off and on. The user is encouraged to try to correct the interference by one or more of the following measures:

- Reorient or relocate the receiving antenna.
- Increase the separation between the equipment and receiver.
- Connect the equipment into an outlet on a circuit different from that to which the receiver is connected.
- Consult the dealer or experienced radio/ TV technician for help.

#### RF warning statement:

The device has been evaluated to meet general RF exposure requirement. The device can be used in portable exposure condition without restriction.

FCC ID: 2ADM5-ET-0802 (Blue Boat)  
2ADM5-ET-0802 (Green Boat)



Distributed by 1616 Holdings, Inc.  
701 Market Street, Suite 200  
Philadelphia, PA 19106  
Made in Shantou, China

Keep All Relevant Information for Future Reference

ITEM# ET-0802