

# TEST REPORT

**Product Name** : DISCO WHEEL  
**Model Number** : ET-0794  
**FCC ID** : 2ADM5-ET-0794

**Prepared for** : Zeeva International Limited  
**Address** : Suite 1007B, 10th Floor, Exchange Tower, 33 Wang Chiu Road, Kowloon Bay, Hong Kong, China

**Prepared by** : EMTEK (DONGGUAN) CO., LTD.  
**Address** : -1&2/F., Building 2, Zone A, Zhongda Marine Biotechnology Research and Development Base, No.9, Xincheng Avenue, Songshanhu High-technology Industrial Development Zone, Dongguan, Guangdong, China

TEL: +86-0769-22807078  
FAX: +86-0769-22807079

**Report Number** : EDG2306290285E00101R  
**Date(s) of Tests** : June 29, 2023 to August 07, 2023  
**Date of issue** : August 07, 2023

## TEST REPORT DESCRIPTION

Applicant : Zeeva International Limited  
 Address : Suite 1007B, 10th Floor, Exchange Tower, 33 Wang Chiu Road, Kowloon Bay, Hong Kong, China  
 Manufacturer : Zeeva International Limited  
 Address : Suite 1007B, 10th Floor, Exchange Tower, 33 Wang Chiu Road, Kowloon Bay, Hong Kong, China  
 Trade Mark : N/A  
 EUT : DISCO WHEEL  
 Model Number : ET-0794

Measurement Procedure Used:

APPLICABLE STANDARDS	
STANDARD	TEST RESULT
FCC 47 CFR Part 2, Subpart J FCC 47 CFR Part 15, Subpart C	PASS

The above equipment was tested by EMTEK(DONGGUAN) CO., LTD. The test data, data evaluation, test procedures, and equipment configurations shown in this report were made in accordance with the procedures given in ANSI C63.10-2013 and the energy emitted by the sample EUT tested as described in this report is in compliance with conducted and radiated emission limits of FCC Rules Part 15.227.

Date of Test : June 29, 2023 to August 07, 2023

Prepared by : Xia Yang  
 Xia Yang /Editor

Reviewer : Tim Dong  
 Tim Dong/ Supervisor

Approved & Authorized Signer : Sam Lv  
 Sam Lv / Manager



## Modified History

Version	Report No.	Revision Date	Summary
	EDG2306290285E00101R	/	Original Report



## Table of Contents

<b>1. GENERAL INFORMATION .....</b>	<b>5</b>
1.1 PRODUCT DESCRIPTION .....	5
<b>2. SYSTEM TEST CONFIGURATION .....</b>	<b>6</b>
2.1 EUT CONFIGURATION .....	6
2.2 EUT EXERCISE .....	6
2.3 TEST PROCEDURE .....	6
2.4 LIMITATION .....	7
2.5 CONFIGURATION OF TESTED SYSTEM .....	8
<b>3. SUMMARY OF TEST RESULTS .....</b>	<b>9</b>
<b>4. DESCRIPTION OF TEST MODES .....</b>	<b>10</b>
<b>5. TEST FACILITY .....</b>	<b>11</b>
<b>6. TEST SYSTEM UNCERTAINTY .....</b>	<b>12</b>
<b>7. CONDUCTED EMISSIONS TEST .....</b>	<b>13</b>
7.1 MEASUREMENT PROCEDURE: .....	13
7.2 TEST SET-UP (BLOCK DIAGRAM OF CONFIGURATION) .....	13
7.3 MEASUREMENT EQUIPMENT USED: .....	13
7.4 MEASUREMENT RESULT: .....	13
7.5 CONDUCTED MEASUREMENT PHOTOS: .....	13
<b>8. RADIATED EMISSION TEST .....</b>	<b>14</b>
8.1 MEASUREMENT PROCEDURE .....	14
8.2 TEST SET-UP (BLOCK DIAGRAM OF CONFIGURATION) .....	14
8.3 MEASUREMENT EQUIPMENT USED: .....	15
8.4 RADIATED EMISSION LIMIT .....	16
8.5 MEASUREMENT RESULTS .....	17
8.6 RADIATED MEASUREMENT PHOTOS: .....	23
<b>9. OCCUPIED BANDWIDTH .....</b>	<b>24</b>
9.1 MEASUREMENT PROCEDURE .....	24
9.2 TEST SET-UP (BLOCK DIAGRAM OF CONFIGURATION) .....	24
9.3 MEASUREMENT EQUIPMENT USED: .....	24
9.4 MEASUREMENT REQUIREMENTS: .....	24
<b>10. ANTENNA APPLICATION .....</b>	<b>26</b>
10.1 ANTENNA REQUIREMENT .....	26
10.2 RESULT .....	26

# 1. GENERAL INFORMATION

## 1.1 Product Description

Characteristics	Description
Product Name	DISCO WHEEL
Model number	ET-0794
SKU#	9087808
UPC#	1922342811511
Color	Silver
Power Supply	DC 3V from Battery
Operating Frequency Range	27.145MHz
Modulation	ASK
Number of Channels	1 channel
Max Field Strength	52.91 dBuV@3m
Antenna Type	Hose Antenna
Antenna gain	0 dBi
Temperature Range:	-10°C ~ +60°C
Remark: The EUT continues to transmit while button is being pressed. Modulation by IC, and type is pulse modulation.	

**Note:** for more details, please refer to the User's manual of the EUT.

## 2. System Test Configuration

### 2.1 EUT Configuration

The EUT configuration for testing is installed on RF field strength measurement to meet the Commissions requirement and operating in a manner which intends to maximize its emission characteristics in a continuous normal application.

### 2.2 EUT Exercise

The Transmitter was operated in the normal operating mode. the Tx frequency was fixed which was for the purpose of the measurements.

### 2.3 Test Procedure

#### 2.3.1 Conducted Emissions

The EUT is a placed on as turn table which is 0.8 m above ground plane. According to the requirements in Section 13.1.4.1 of ANSI C63.10-2013. Conducted emissions from the EUT measured in the **frequency range between 0.15 MHz and 30MHz** using **CISPR Quasi-Peak and average detector mode**.

#### 2.3.2 Radiated Emissions

The EUT is a placed on as turn table which is 0.8 m above ground plane. The turn table shall rotate 360 degrees to determine the position of maximum emission level. EUT is set 3m away from the receiving antenna which varied from 1m to 4m to find out the highest emission. And also, each emission was to be maximized by changing the polarization of receiving antenna both horizontal and vertical. In order to find out the max. emission, the relative positions of this hand-held transmitter(EUT) was rotated through three orthogonal axes according to the requirements in Section 13.1.4.1 of ANSI C63.10-2013

## 2.4 Limitation

### (1) Conducted Emission

According to section 15.207(a) Conducted Emission Limits is as following.

Frequency range MHz	Limits dB(uV)	
	Quasi-peak	Average
0.15 to 0.50	66 to 56	56 to 46
0.50 to 5	56	46
5 to 30	60	50

Note

- 1.The lower limit shall apply at the transition frequencies
- 2.The limit decreases linearly with the logarithm of the frequency in the range 0.15 MHz to 0.50 MHz.

### (2) Radiated Emission

- a. The field strength of any emission within this band (26.96-27.28 MHz.) shall not exceed 10,000 microvolts/meter at 3 meters. The emission limit in this paragraph is based on measurement instrumentation employing an average detector. The provisions in § 15.35 for limiting peak emissions apply.
- b. The field strength of any emissions which appear outside of this band shall not exceed the general radiated emission limits in § 15.209.

Frequency (MHz)	Field strength $\mu\text{V/m}$	Distance(m)	Field strength at 3m $\text{dB}\mu\text{V/m}$
1.705-30	30	30	69.54
30-88	100	3	40
88-216	150	3	43.5
216-960	200	3	46
Above 960	500	3	54

- Remark:
1. Emission level in  $\text{dBuV/m}=20 \log (\mu\text{V/m})$
  2. Measurement was performed at an antenna to the closed point of EUT distance of meters.
  3. Only spurious frequency is permitted to locate within the Restricted Bands specified in provision of § 15.205
  4. Emission spurious frequency which appearing within the Restricted Bands specified in provision of §15.205, then the general radiated emission limits in § 15.209 apply.

## 2.5 Configuration of Tested System

**Fig. 2-1 Configuration of Tested System**

EUT

**Table 2-1 Equipment Used in Tested System**

Item	Equipment	Trademark	Model No.	FCC ID	Series No.	Note
1	DISCO WHEEL	N/A	ET-0794	2ADM5-ET-0794	N/A	<b>EUT</b>

**Note:**

- (1) Unless otherwise denoted as EUT in 『Remark』 column , device(s) used in tested system is a support equipment.





### 3. Summary of Test Results

FCC Rules	Description Of Test	Result
§15.207	Conducted Emission	N/A
§15.227	Radiated Emission	Compliant
§15.227	Bandwidth Test	Compliant
§15.203	Antenna Requirement	Compliant



#### 4. Description of test modes

The EUT (DISCO WHEEL) has been tested under normal operating condition. The EUT stay in continuous transmitting mode. The Frequency 27.145MHz is chosen for testing.

For Radiated: The EUT’s antenna was pre-tested under the following modes:

Test Mode	Description
<b>Mode A</b>	<b>X-Y axis</b>
Mode B	Y-Z axis
Mode C	X-Z axis

From the above modes, the worst case was found in Mode A. Therefore only the test data of the mode was recorded in this report.



## 5. Test Facility

Site Description  
EMC Lab.

: **Accredited by CNAS**  
The Laboratory has been assessed and proved to be in compliance with  
CNAS-CL01:2018  
The Certificate Registration Number is L3150

**Accredited by FCC**  
Designation Number: CN1300  
Test Firm Registration Number: 945551

**Accredited by A2LA**  
The Certificate Registration Number is 4321.02

**Accredited by Industry Canada**  
The Certificate Registration Number is CN0113

Name of Firm

: EMTEK (DONGGUAN) CO., LTD.

Site Location

: -1&2/F., Building 2, Zone A, Zhongda Marine Biotechnology Research  
and Development Base, No.9, Xincheng Avenue, Songshanhu  
High-technology Industrial Development Zone, Dongguan, Guangdong,  
China

## 6. TEST SYSTEM UNCERTAINTY

The following measurement uncertainty levels have been estimated for tests performed on the apparatus:

Parameter	Uncertainty
Radio Frequency	$\pm 1 \times 10^{-5}$
Maximum Peak Output Power Test	$\pm 1.0\text{dB}$
Conducted Emissions Test	$\pm 2.0\text{dB}$
Radiated Emission Test	$\pm 2.0\text{dB}$
Power Density	$\pm 2.0\text{dB}$
Occupied Bandwidth Test	$\pm 1.0\text{dB}$
Band Edge Test	$\pm 3\text{dB}$
All emission, radiated	$\pm 3\text{dB}$
Antenna Port Emission	$\pm 3\text{dB}$
Temperature	$\pm 0.5^\circ\text{C}$
Humidity	$\pm 3\%$

Measurement Uncertainty for a level of Confidence of 95%

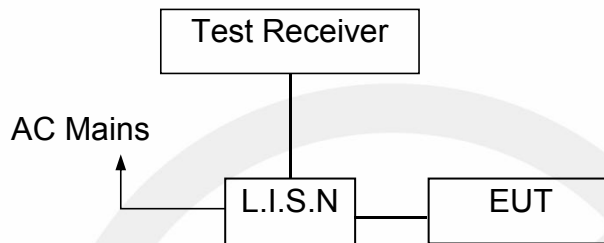


## 7. Conducted Emissions Test

### 7.1 Measurement Procedure:

1. The EUT was placed on a table which is 0.8m above ground plane.
2. Maximum procedure was performed on the six highest emissions to ensure EUT compliance.
3. Repeat above procedures until all frequency measured were complete.

### 7.2 Test SET-UP (Block Diagram of Configuration)



### 7.3 Measurement Equipment Used:

Equipment	Manufacturer	Model No.	Serial No.	Last Cal.	Cal. Interval
EMI Test Receiver	Rohde & Schwarz	ESCI	101384	2023/5/13	1Year
AMN	Rohde & Schwarz	ENV216	101161	2023/5/13	1Year
AMN	Kyoritsu	KNW-407	8-1492-9	2023/5/11	1Year

### 7.4 Measurement Result:

N/A.

### 7.5 Conducted Measurement Photos:

N/A

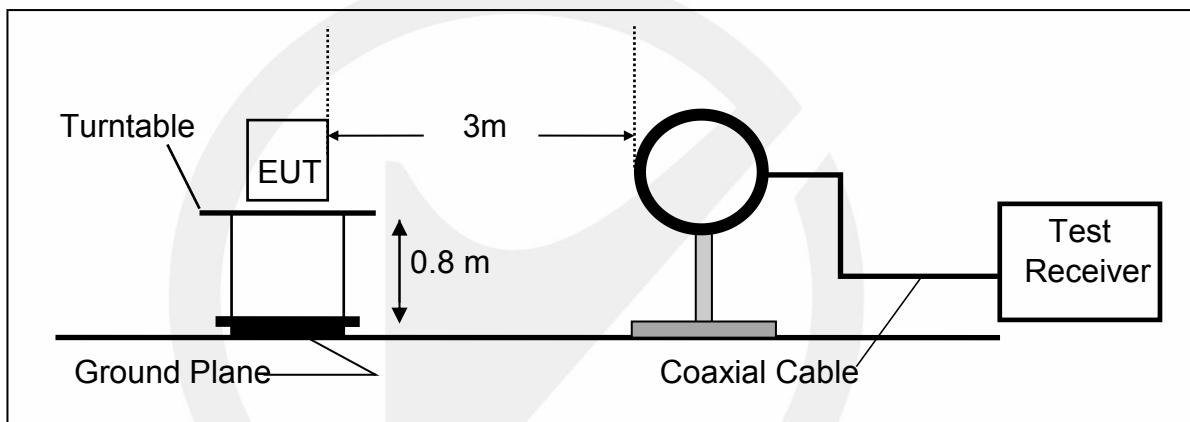
## 8. Radiated Emission Test

### 8.1 Measurement Procedure

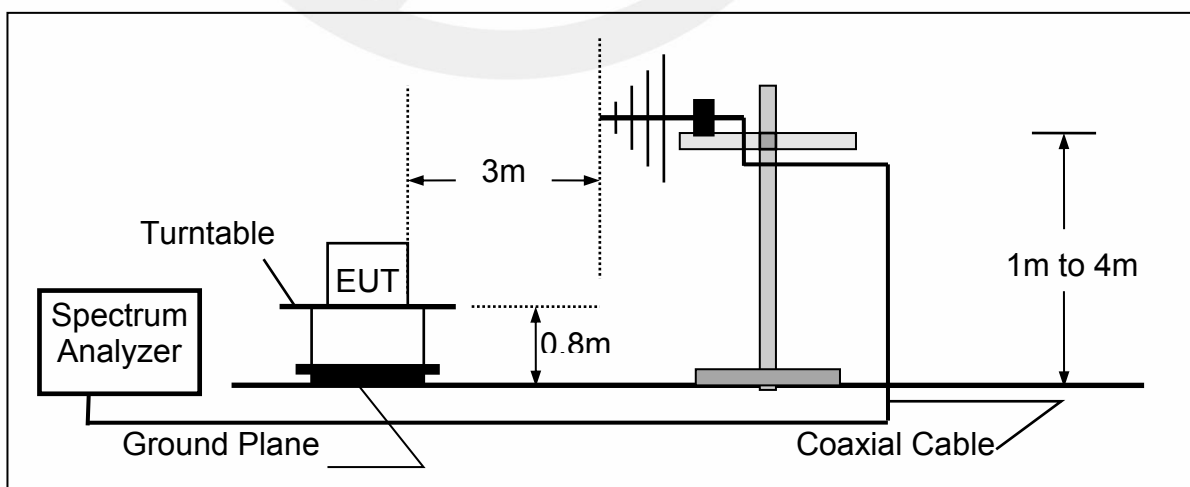
1. The EUT was placed on a turntable which is 0.8m above ground plane.
2. Maximum procedure was performed on the six highest emissions to ensure EUT compliance.
3. And also, each emission was to be maximized by changing the polarization of receiving antenna both horizontal and vertical.
4. Repeat above procedures until all frequency measured were complete.

### 8.2 Test SET-UP (Block Diagram of Configuration)

(A) Radiated Emission Test Set-Up, Frequency Below 30MHz



(B) Radiated Emission Test Set-Up, Frequency Above 30MHz



### 8.3 Measurement Equipment Used:

Equipment	Manufacturer	Model No.	Serial No.	Last Cal.	Cal. Interval
EMI Test Receiver	Rohde & Schwarz	ESU 26	100154	2023/5/13	1Year
Pre-Amplifie	Lunar EM	LNA30M3G-2 5	J1010000007 0	2023/5/13	1Year
Bilog Antenna	Schwarzbeck	VULB9163	659	2021/8/22	2 Year
Horn antenna	Schwarzbeck	BBHA9120D	9120D-1177	2023/5/12	2 Year
Pre-Amplifie	SKET	LNPA_0118G- 45	SK201905180 1	2023/5/10	1Year
Loop Antenna	Schwarzbeck	FMZB1519	1519-012	2023/5/12	2 Year
Spectrum Analyzer	Rohde & Schwarz	FSV40	100967	2023/5/10	1Year
Pre-Amplifie	Lunar EM	LNA18G26-40	J1012131010 001	2023/5/10	1Year
Pre-Amplifie	Lunar EM	LNA26G40-40	J1013131028 001	2023/5/10	1Year
Horn antenna	Schwarzbeck	BBHA9170	9170-399	2023/5/12	2 Year

### 8.4 Radiated Emission Limit

The emissions from an intentional radiator shall not exceed the field strength levels specified in the following table 15.209(a):

Frequencies (MHz)	Field Strength (microrvolts/meter)	Measurement Distance (meters)
0.009~0.490	2400/F(KHz)	300
0.490~1.705	24000/F(KHz)	30
1.705~30.0	30	30
30~88	100	3
88~216	150	3
216~960	200	3
Above 960	500	3

#### Restricted bands of operation

MHz	MHz	MHz	GHz
0.090 - 0.110	16.42 - 16.423	399.9 - 410	4.5 - 5.15
<sup>1</sup> 0.495 - 0.505	16.69475 - 16.69525	608 - 614	5.35 - 5.46
2.1735 - 2.1905	16.80425 - 16.80475	960 - 1240	7.25 - 7.75
4.125 - 4.128	25.5 - 25.67	1300 - 1427	8.025 - 8.5
4.17725 - 4.17775	37.5 - 38.25	1435 - 1626.5	9.0 - 9.2
4.20725 - 4.20775	73 - 74.6	1645.5 - 1646.5	9.3 - 9.5
6.215 - 6.218	74.8 - 75.2	1660 - 1710	10.6 - 12.7
6.26775 - 6.26825	108 - 121.94	1718.8 - 1722.2	13.25 - 13.4
6.31175 - 6.31225	123 - 138	2200 - 2300	14.47 - 14.5
8.291 - 8.294	149.9 - 150.05	2310 - 2390	15.35 - 16.2
8.362 - 8.366	156.52475 - 156.52525	2483.5 - 2500	17.7 - 21.4
8.37625 - 8.38675	156.7 - 156.9	2690 - 2900	22.01 - 23.12
8.41425 - 8.41475	162.0125 - 167.17	3260 - 3267	23.6 - 24.0
12.29 - 12.293	167.72 - 173.2	3332 - 3339	31.2 - 31.8
12.51975 - 12.52025	240 - 285	3345.8 - 3358	36.43 - 36.5
12.57675 - 12.57725	322 - 335.4	3600 - 4400	( <sup>2</sup> )

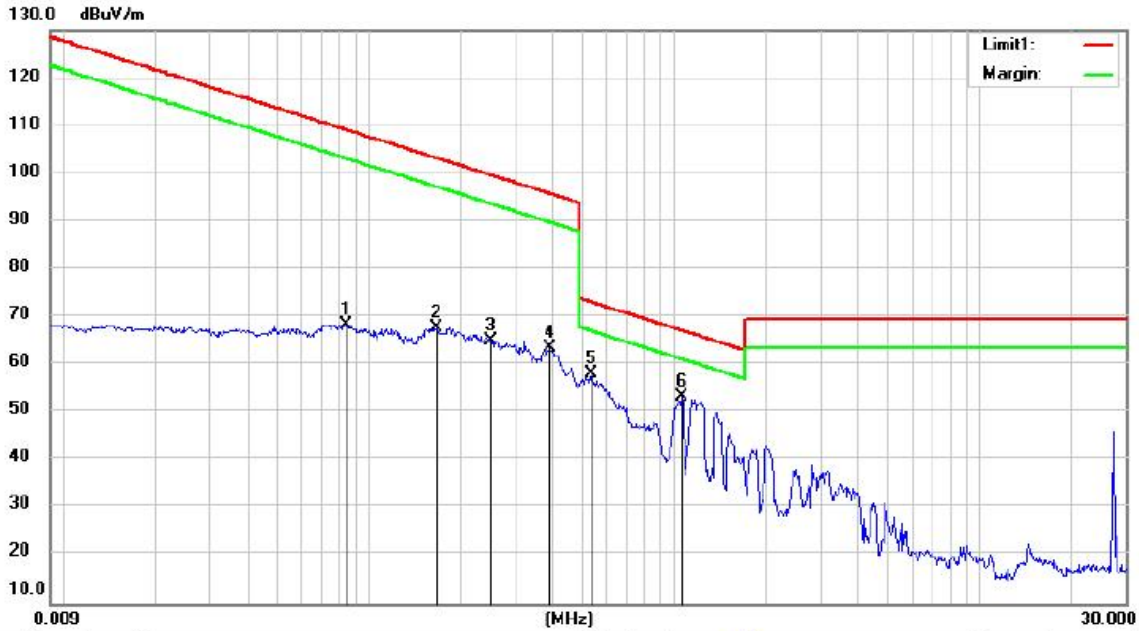
- Remark 1. Emission level in dBuV/m=20 log (uV/m)  
 : 2. Measurement was performed at an antenna to the closed point of EUT distance of meters.  
 3. Only spurious frequency is permitted to locate within the Restricted Bands specified in provision of § 15.205, and the emissions located in restricted bands also comply with 15.209 limit.

#### Field Strength of the fundamental signal

FCC Part15 (15.227) , Subpart C		
Fundamental Frequency	Field Strength Of Fundamental	
27.145MHz	PK:100 dBuV/m at 3m distance	AV:80 dBuV/m at 3m distance



### 8.5 Measurement Results

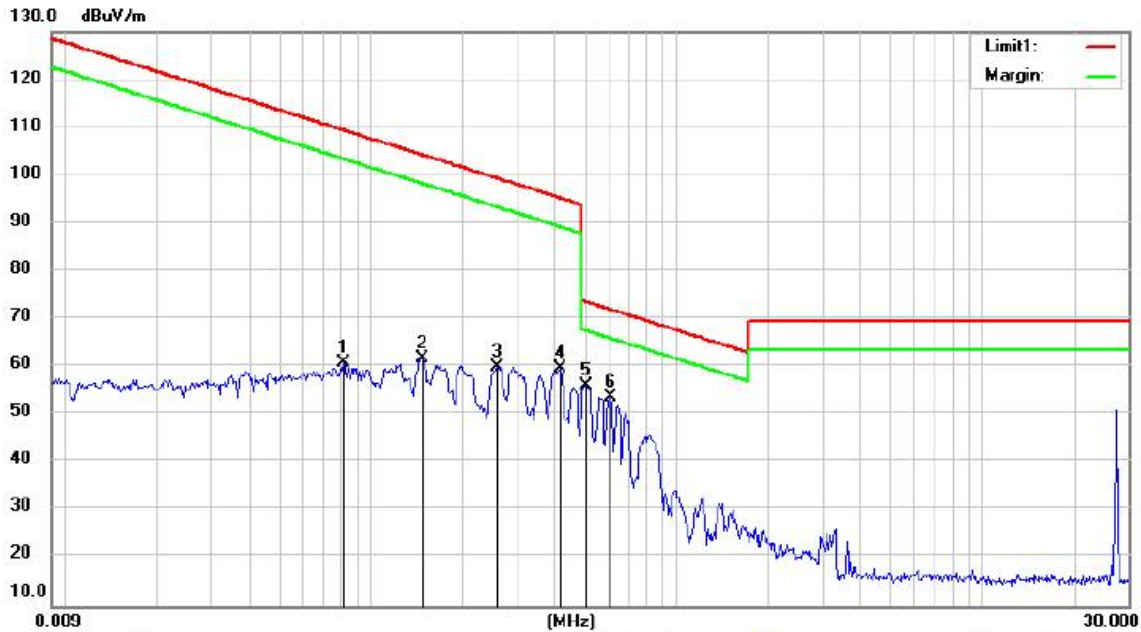


Site Chamber #1 Polarization: 0° Temperature: 24 C  
 Mode: TX 27.145Mhz  
 Note:

No.	Mk.	Freq. MHz	Reading Level dBuV	Ant. Factor dB/m	Pre Amp Gain dB	Cable loss dB	Measure- ment dBuV/m	Limit dBuV/m	Over dB	HI	Degree	Detector	cm	deg.	Comment
1		0.0834	96.94	0	28.51	0.06	68.49	109.17	-40.68			peak			
2		0.1655	96.44	0	28.76	0.08	67.76	103.22	-35.46			peak			
3		0.2503	94.11	0	29.09	0.08	65.10	99.63	-34.53			peak			
4		0.3911	92.88	0	29.48	0.09	63.49	95.76	-32.27			peak			
5		0.5322	87.83	0	29.77	0.09	58.15	73.08	-14.93			peak			
6	*	1.0523	83.89	0	30.75	0.14	53.28	67.18	-13.90			peak			

\*:Maximum data x:Over limit !:over margin

Operator: Ccyf



Site Chamber #1 Polarization: 90° Temperature: 24 C

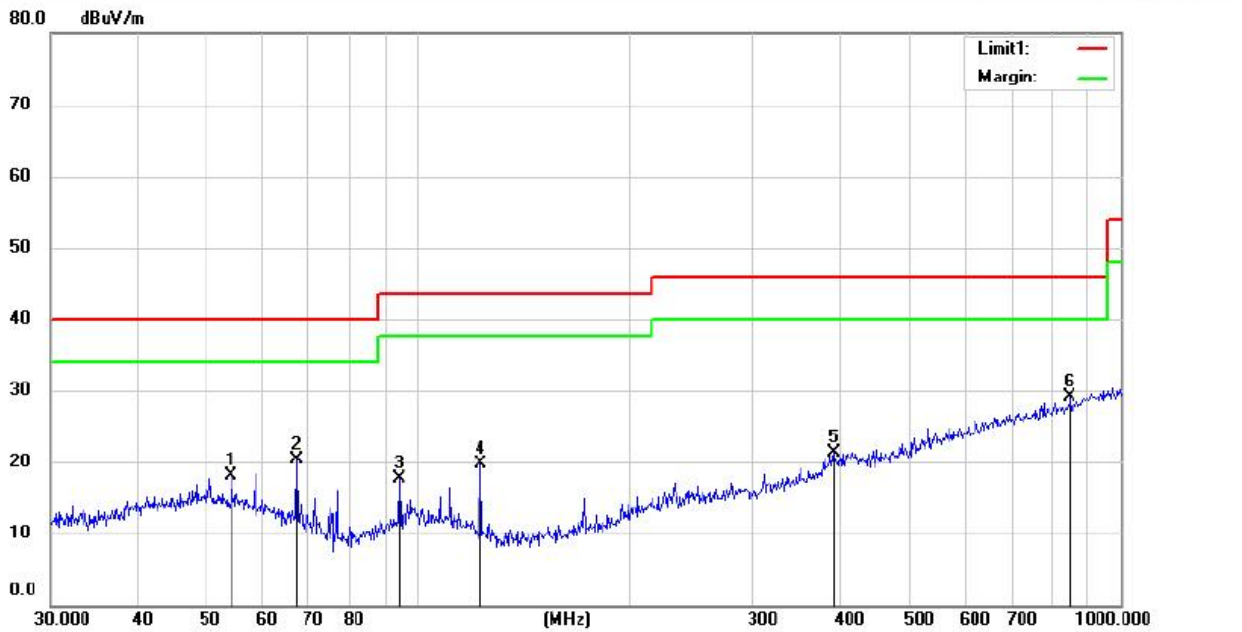
Mode: TX 27.145Mhz

Note:

No.	Mk.	Freq.	Reading Level	Ant. Factor	Pre Amp Gain	Cable loss	Measurement	Limit	Over	HI	Degree	
		MHz	dBuV	dB/m	dB	dB	dBuV/m	dBuV/m	dB	Detector	cm	deg. Comment
1		0.0810	89.19	0	28.51	0.06	60.74	109.43	-48.69	peak		
2		0.1476	90.39	0	28.69	0.08	61.78	104.22	-42.44	peak		
3		0.2584	88.89	0	29.13	0.08	59.84	99.36	-39.52	peak		
4		0.4140	89.24	0	29.53	0.09	59.80	95.26	-35.46	peak		
5	*	0.5070	85.76	0	29.72	0.09	56.13	73.50	-17.37	peak		
6		0.6060	83.42	0	29.93	0.1	53.58	71.96	-18.37	peak		

\*:Maximum data x:Over limit l:over margin

Operator: Ccyf



Site Chamber #1 Polarization: *Vertical* Temperature: 23.3 C

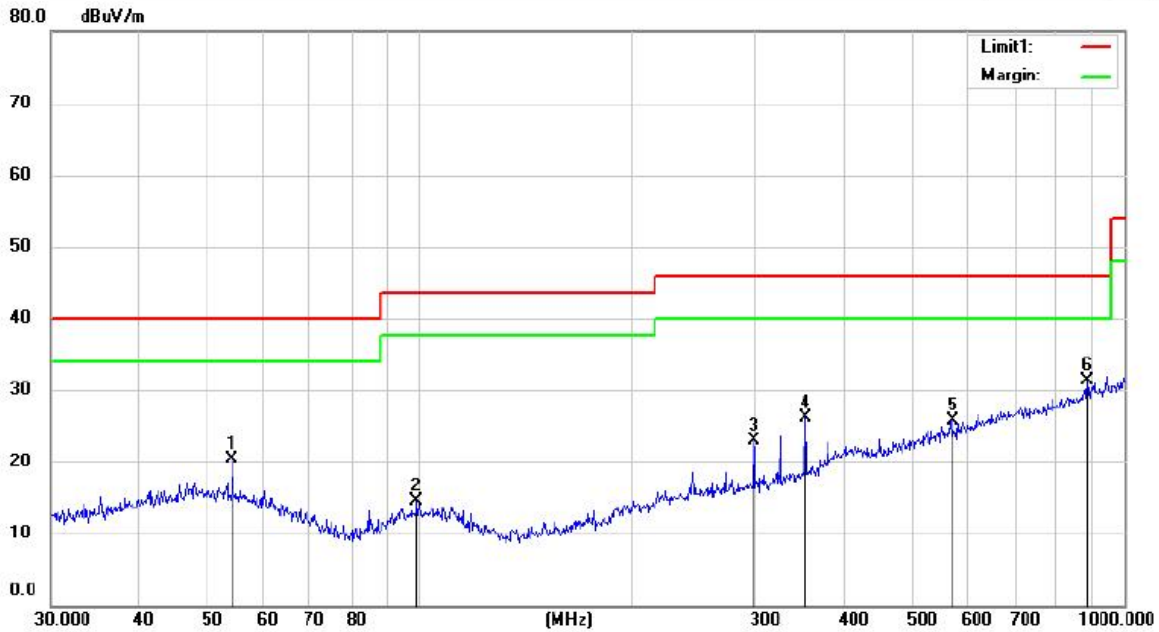
Mode: TX 27.145Mhz

Note:

No.	Mk.	Freq. MHz	Reading Level dBuV	Ant. Factor dB/m	Pre Amp Gain dB	Cable loss dB	Measure- ment dBuV/m	Limit dBuV/m	Over dB	HI	Degree	Comment
1		54.2610	34.17	13.57	30.5	0.9	18.14	40.00	-21.86	QP		
2		67.2022	39.39	10.46	30.54	1.09	20.40	40.00	-19.60	QP		
3		94.0980	36.77	10.64	30.8	1.07	17.68	43.50	-25.82	QP		
4		122.8340	39.75	9.4	30.77	1.24	19.62	43.50	-23.88	QP		
5		390.7226	31.55	16.06	29.82	3.45	21.24	46.00	-24.76	QP		
6	*	848.0563	32.89	22.28	30.04	3.9	29.03	46.00	-16.97	QP		

\*:Maximum data x:Over limit l:over margin

Operator: Ccyf



Site Chamber #1 Polarization: **Horizontal** Temperature: 23.3 C

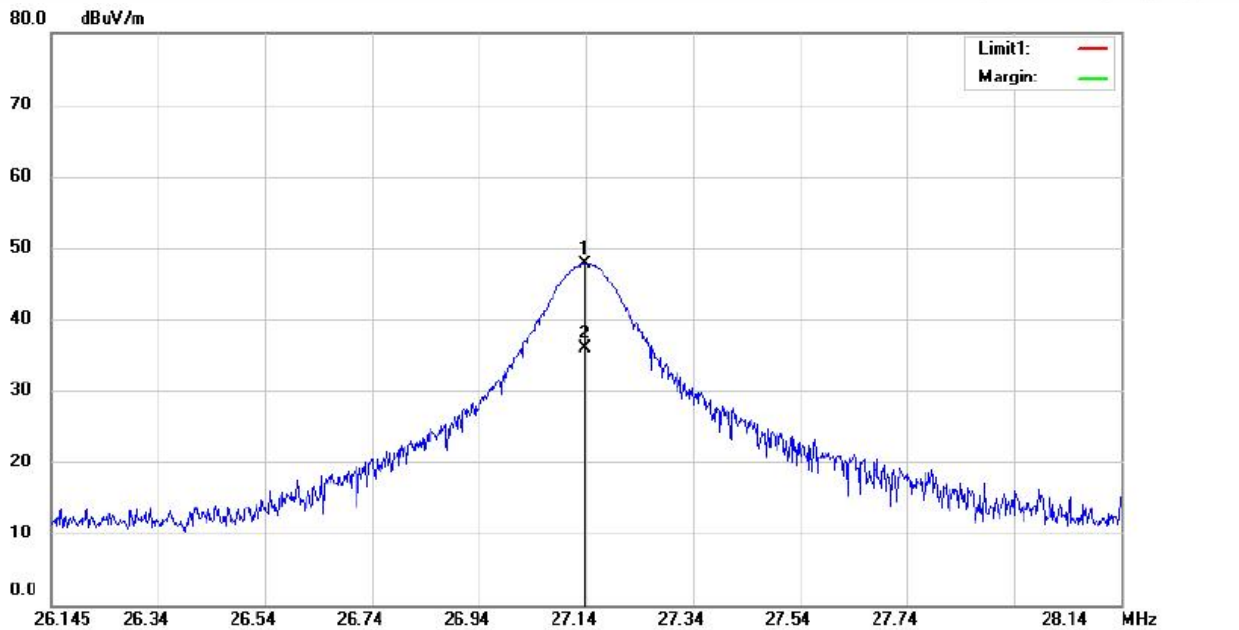
Mode: TX 27.145Mhz

Note:

No.	Mk.	Freq. MHz	Reading Level dBuV	Ant. Factor dB/m	Pre Amp Gain dB	Cable loss dB	Measure- ment dBuV/m	Limit dBuV/m	Over dB	HI	Degree	Comment
1		54.2610	36.34	13.57	30.5	0.9	20.31	40.00	-19.69	QP		
2		99.1797	32.93	11.47	30.88	1.08	14.60	43.50	-28.90	QP		
3		298.2681	36.68	13.87	29.84	2.16	22.87	46.00	-23.13	QP		
4		352.9433	38.49	15.08	29.82	2.45	26.20	46.00	-19.80	QP		
5		570.6100	33.23	19.35	29.91	3.1	25.77	46.00	-20.23	QP		
6	*	887.6100	34.40	22.75	29.87	3.96	31.24	46.00	-14.76	QP		

\*:Maximum data x:Over limit l:over margin

Operator: Ccyf



Site Chamber #1 Polarization: *Horizontal* Temperature: 23.3 C

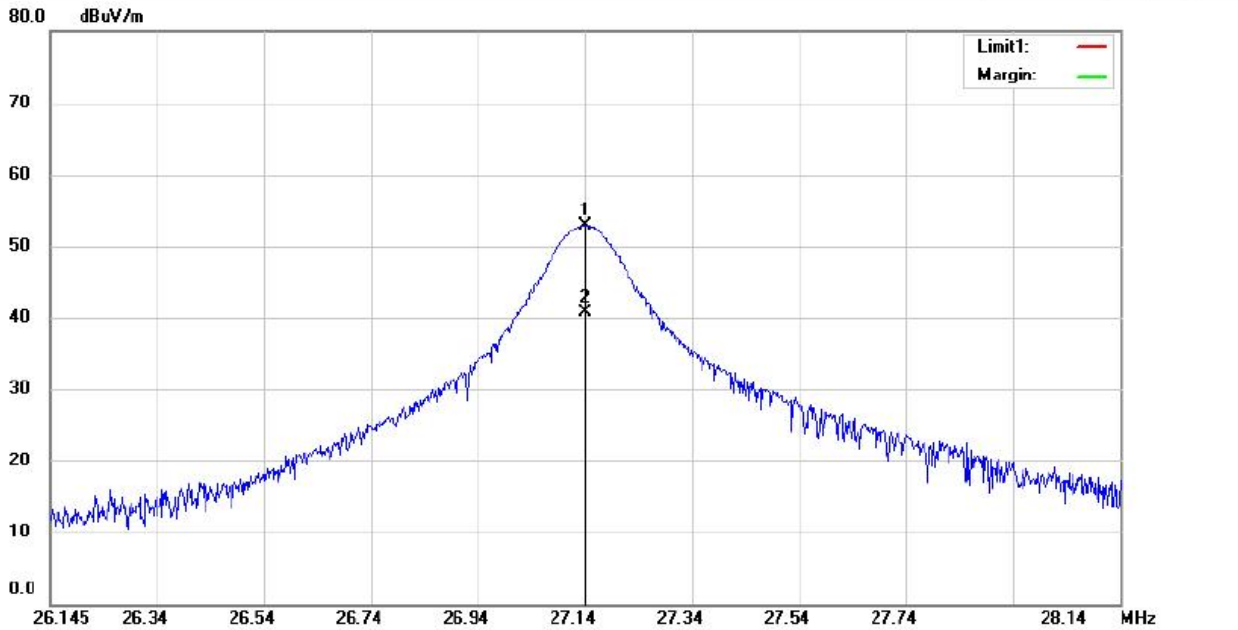
Mode: TX 27.145Mhz

Note:

No.	Mk.	Freq. MHz	Reading Level dBuV	Ant. Factor dB/m	Pre Amp Gain dB	Cable loss dB	Measure- ment dBuV/m	Limit dBuV/m	Over dB	Detector	HI cm	Degree deg.	Comment
1	*	27.1430	66.58	11.2	30.58	0.55	47.75	40.00	7.75	peak			
2		27.1430	54.83	11.2	30.58	0.55	36.00	40.00	-4.00	AVG			

\*:Maximum data x:Over limit l:over margin

Operator: Ccyf



Site Chamber #1 Polarization: **Vertical** Temperature: 23.3 C  
 Mode: TX 27.145Mhz  
 Note:

No.	Mk.	Freq.	Reading Level	Ant. Factor	Pre Amp Gain	Cable loss	Measurement	Limit	Over	HI	Degree	Comment
		MHz	dBuV	dB/m	dB	dB	dBuV/m	dBuV/m	dB	Detector	cm	deg.
1	*	27.1450	71.74	11.2	30.58	0.55	52.91	40.00	12.91	peak		
2	X	27.1450	59.58	11.2	30.58	0.55	40.75	40.00	0.75	AVG		

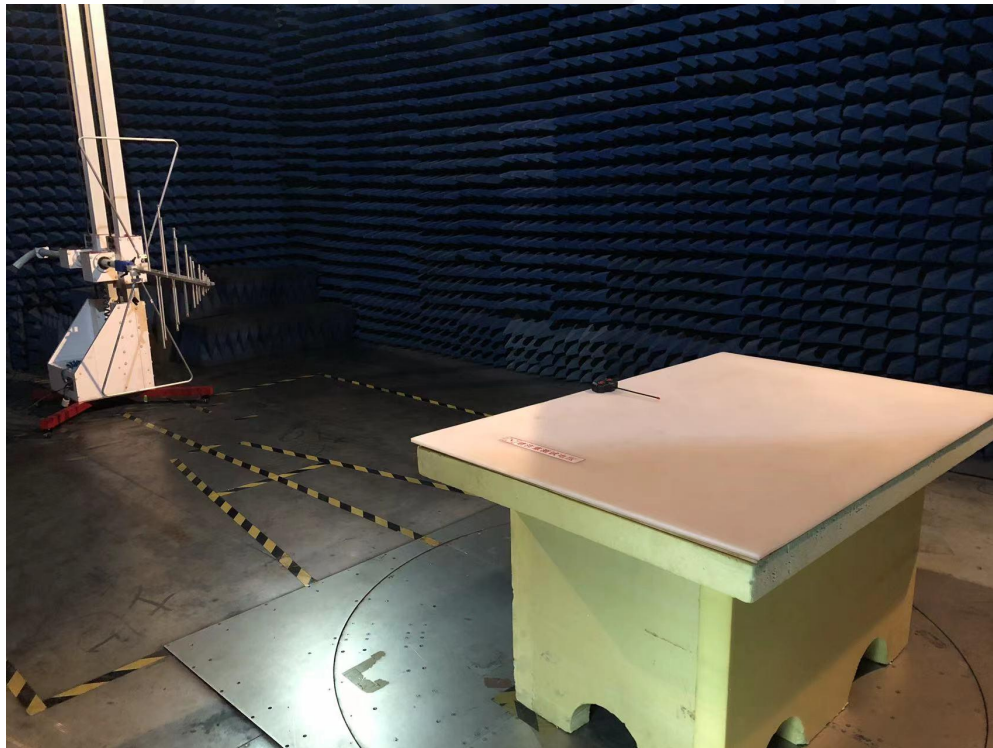
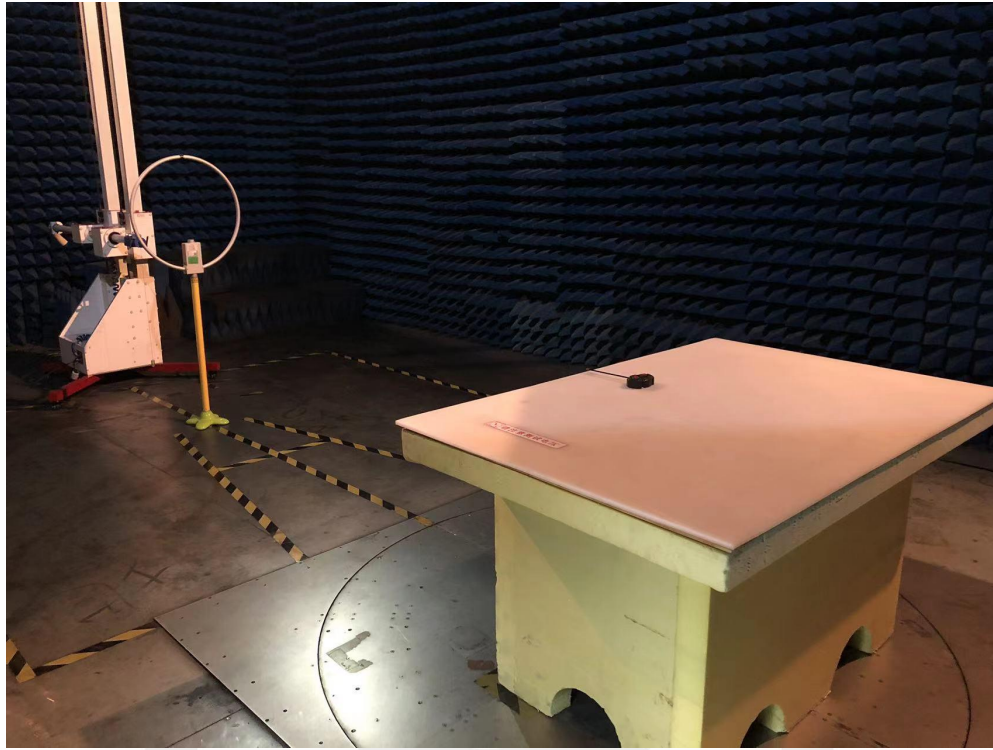
\*:Maximum data x:Over limit !:over margin

Operator: Ccyf

**Remark:**

1. Measurement (dBuV/m) = Antenna Factor(dB) -Amp Factor(dB) +Cable Loss(dB) + Reading(dBμV/m)
2. Over (dB) = Measurement (dBμV/m) - Limit (dBμV/m)

**No others harmonics emissions are higher than 20dB below the limits of 47 CFR Part 15.209.**

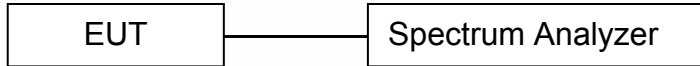
**8.6 Radiated Measurement Photos:**

## 9. Occupied Bandwidth

### 9.1 Measurement Procedure

1. Set EUT as normal operation
2. Set SPA Center Frequency = fundamental frequency, RBW=1Hz,VBW= 3Hz
3. Set SPA Max hold. Mark peak.

### 9.2 Test SET-UP (Block Diagram of Configuration)



### 9.3 Measurement Equipment Used:

Equipment	Manufacturer	Model No.	Serial No.	Last Cal.	Cal. Interval
Signal Analyzer	R&S	FSV30	103039	2023/5/11	1 Year

### 9.4 Measurement Requirements:

Pass.

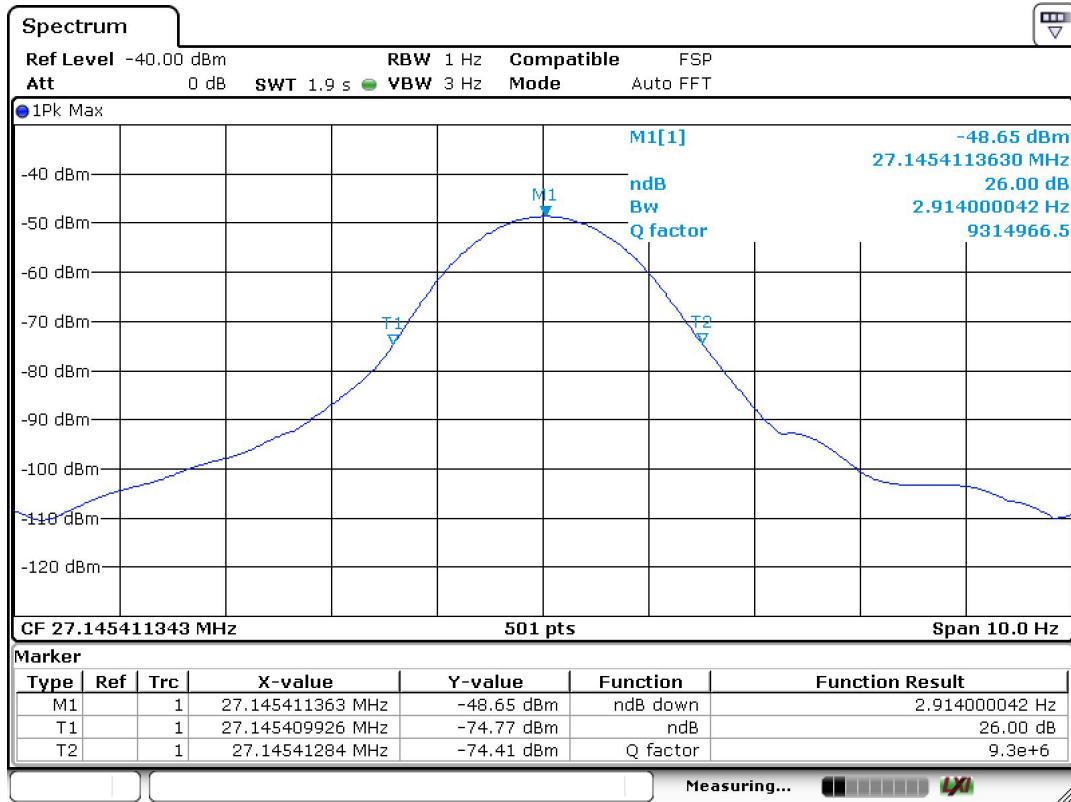
Limits for 26dB Bandwidth of Fundamental Emission:

Frequency (MHz)	26dB Bandwidth (Hz)	Limits (MHz)
27.145	2.914	Within 27.141-27.150

Refer to attached data chart.



# Band Width Test Data



## 10. Antenna Application

### 10.1 Antenna requirement

The EUT'S antenna is met the requirement of FCC part 15C section 15.203.

Systems operating in the 27.145MHz that are used exclusively for fixed, point-to-point operations may employ transmitting antennas with directional gain greater than 6dBi provided the maximum peak output power of the intentional radiator is reduced by 1dB for every 3dB that the directional gain of the antenna exceeds 6dBi.

### 10.2 Result

The EUT's antenna is permanent attached antenna, Hose Antenna. The antenna is not replaceable or user serviceable. The requirement of FCC part 15C section 15.203 is met.

\*\*\* End of Report \*\*\*