

## SPECIFICATION FOR APPROVAL

CUSTOMER NAME: SHEN ZHEN kuying horizon Technology Co., Ltd.

PRODUCT NAME: 2.4G built-in copper tube black 1.13 ring stripping antenna / 135mm

SUPPLIER NAME: ShenZhen Ronghua Communication Co., LTD

P/N: 11000095

REV: A

	MANUFACTURER SIGNATURE	CUSTOMER SIGNATURE
CHECKED BY:		
APPROVED BY:		
DATE:	2021-12-15	

# *Contents*

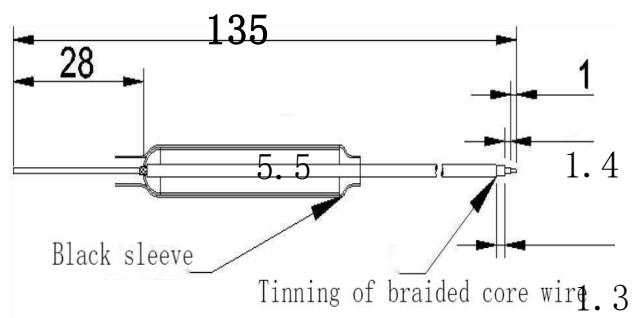
<i>Item</i>	<i>Description</i>
1	(Specification table)
2	(The finished product figure)
3	(Test report)

## 1. (Specification table) :

(Main technical parameters of the product)

Main technical specifications	
Frequency Range (MHZ)	2400~2500
Impedance( $\Omega$ )	50
Max Gain(dBi)	2.31
VSWR	$\leq 1.92$
Admitted Power	10W
Polarization	Linear, Vertical
Connector Type	RF Cable
Physical Properties	
Antenna Base	Brass
Operating Temp	-20°C~+65°C
Storage Temp	-30°C~+75°C

2. (Finished product figure):

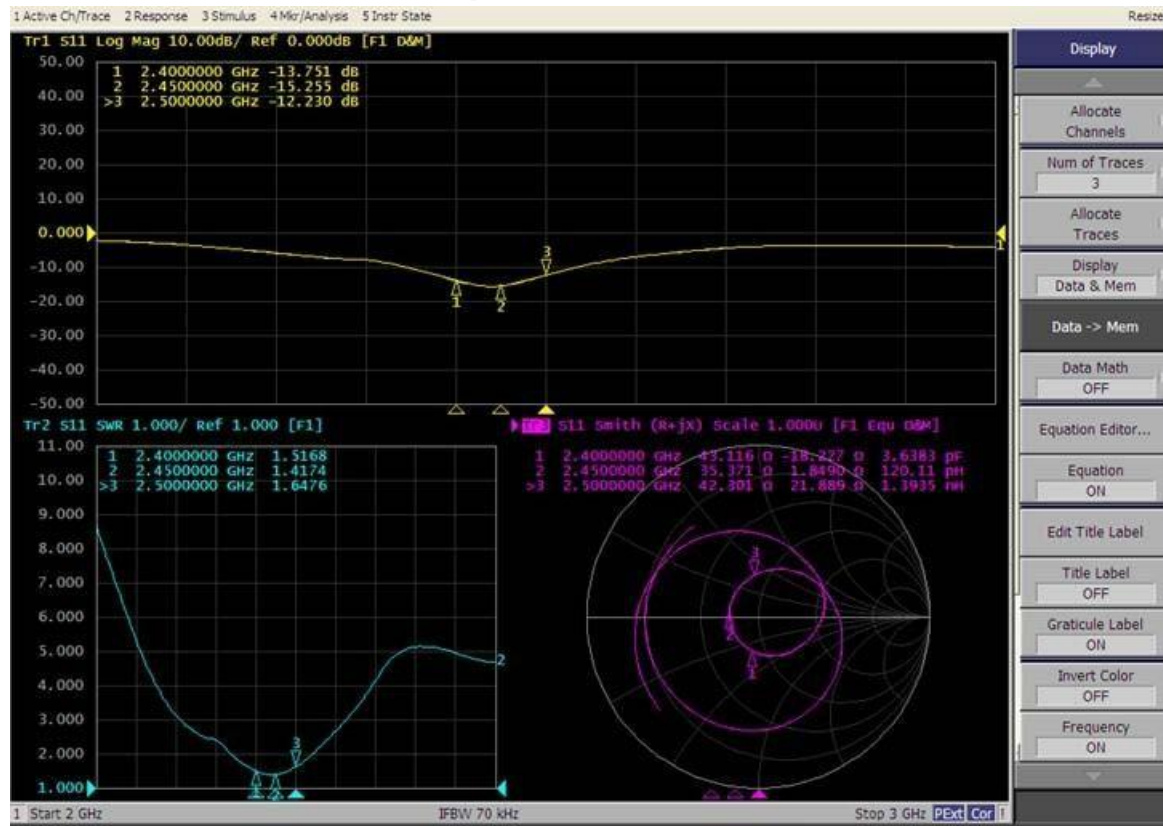


Bullet copper pipe

(4.0 casing 300V thin)

### 3. (Test report)

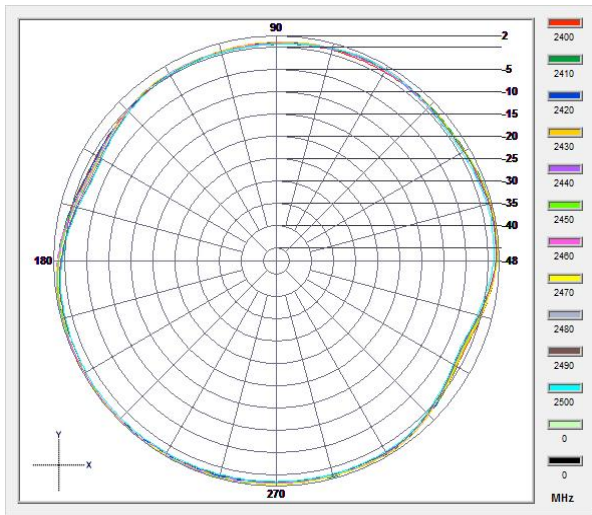
#### 3.1: Network analyzer test report



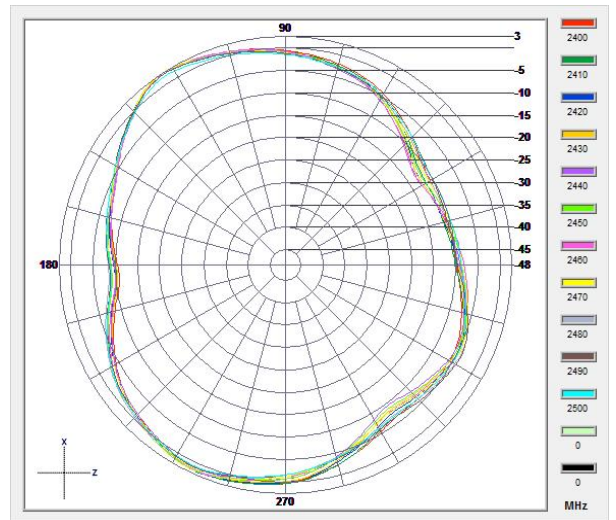
#### 3.2: 2D、3DRaditation Pattern(Whole machine data)

### Efficiency & Gain

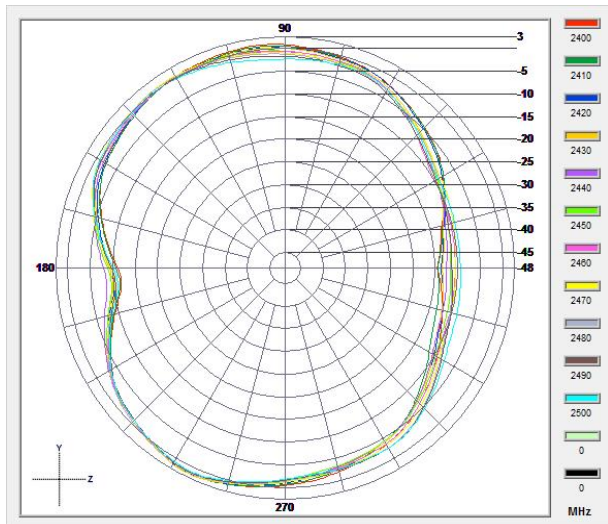
Freq (MHz)	Effi (%)	Gain (dBi)
2400	76.92	2.23
2410	75.12	2.16
2420	73.34	1.92
2430	72.57	2.31
2440	66.67	1.91
2450	71.03	2.13
2460	70.83	2.06
2470	71.95	2.24
2480	72.28	2.28
2490	68.19	1.92
2500	67.42	1.43



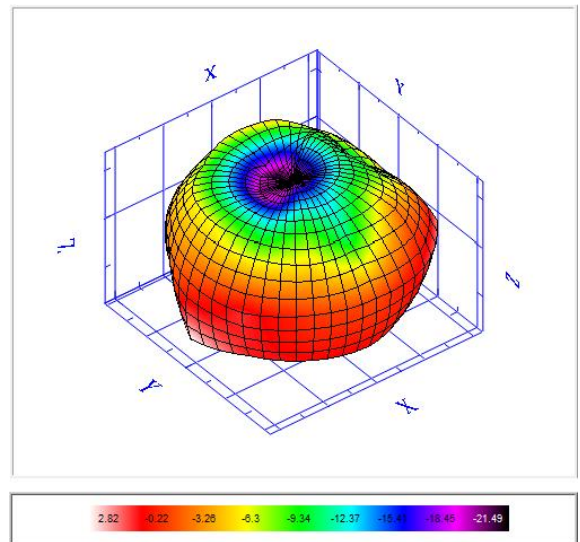
XY



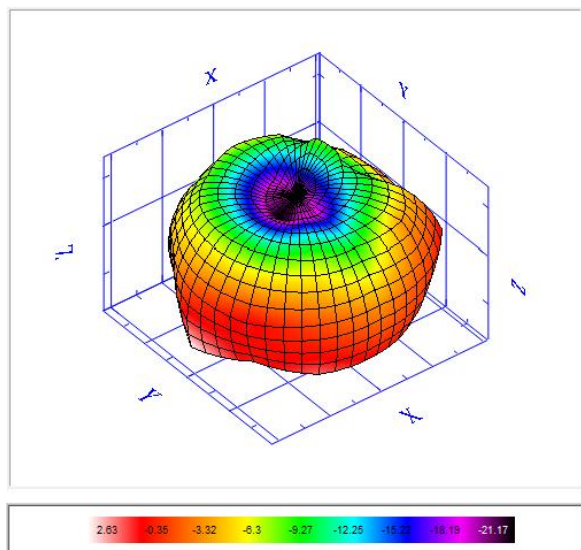
XZ



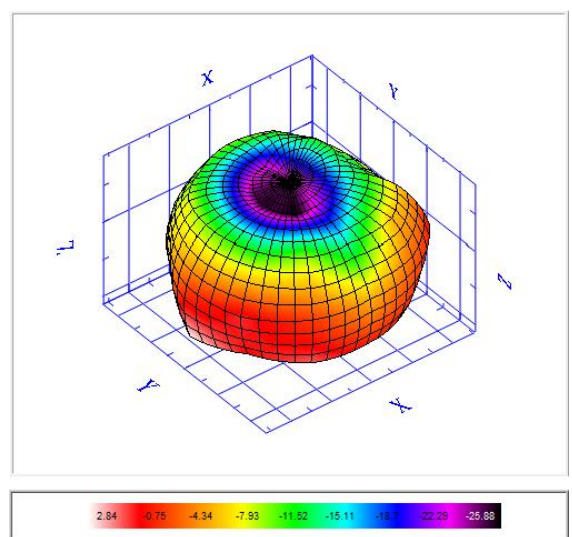
YZ



2400 MHz



2450 MHz



2500 MHz