

# Antenna Specification for Approval

Customer Name: \_\_\_\_\_Zeeva International Limited\_\_\_\_\_

Address: \_\_\_\_\_Suite 1007B, 10th Floor, Exchange Tower, 33 Wang Chiu Road, Kowloon Bay, Hong Kong, China\_\_\_\_\_

Product Name: \_\_\_\_\_Wire Antenna\_\_\_\_\_

Part number:

Part NO. : \_\_\_\_\_14\*0.12\*1.4PVC\_\_\_\_\_

Write By: \_\_\_\_\_周敏\_\_\_\_\_

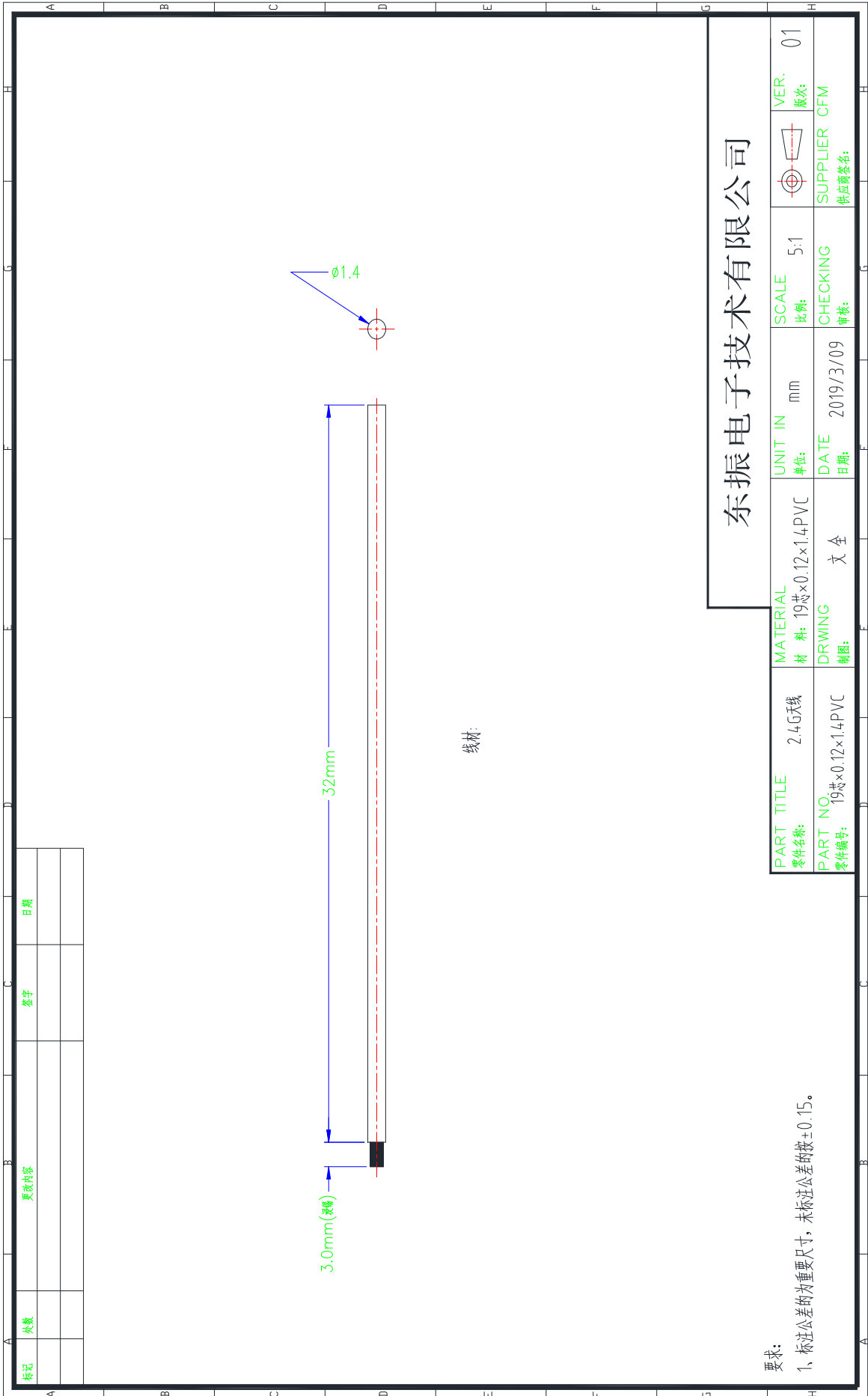
Issued Date: \_\_\_\_\_2019-3-8\_\_\_\_\_

## 客 户:

工程R&D Dept	采购Business Dept	承认 Approved By

## 东 振 电 子

研发R&D Dept	工程 Engineer Dept	审核 Approval



线材:

# 东振电子有限公司

标记	次数	更改内容	签字	日期

PART TITLE 零件名称:	2.4G天线	MATERIAL 材 料:	19芯×0.12×1.4PVC	UNIT IN 单位:	mm	SCALE 比例:	5:1	VER. 版本:	01
PART NO. 零件编号:	19芯×0.12×1.4PVC	DRAWING 制图:	文 全	DATE 日期:	2019/3/09	CHECKING 审核:		SUPPLIER CFM 供应商签名:	

要求:

- 1、标注公差的重要尺寸，未标注公差的按±0.15。

# Product Specification

## A. Electrical Characteristics

Frequency 2400MHz ~2500MHz

VSWR <1.0

Efficiency >20%

Impedance 50 Ohm

Polarization Line

Gain 0DBi

## B. Material & Mechanical Characteristics

Material of Radiator Cu

Cable Type 1.4

Connector Type : NO

Dimension

## C. Environmental

Operation Temperature - 30 °C ~ + 80 °C

Storage Temperature - 30 °C ~ + 85 °C

# Test Equipment & Conditions

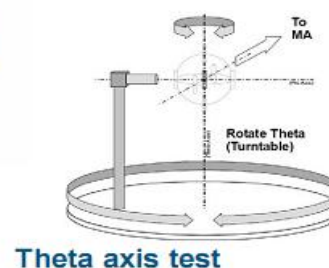
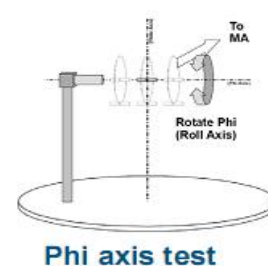
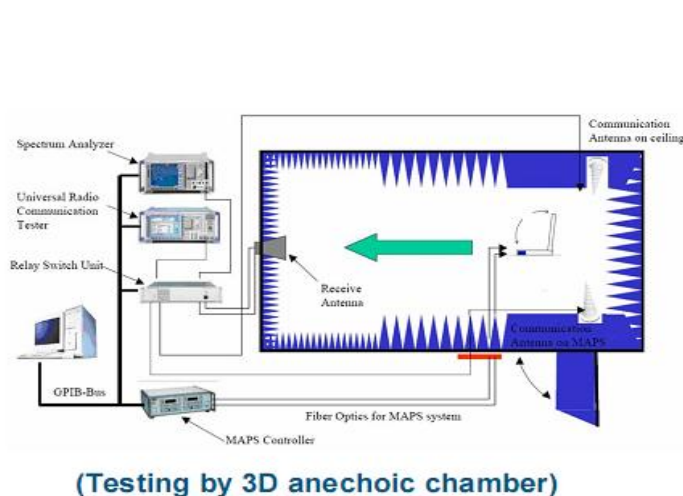
## 1. Network Analyzers :

Agilent 8753D 5071B

## 2. Communications Test Set:

Agilent E5515C

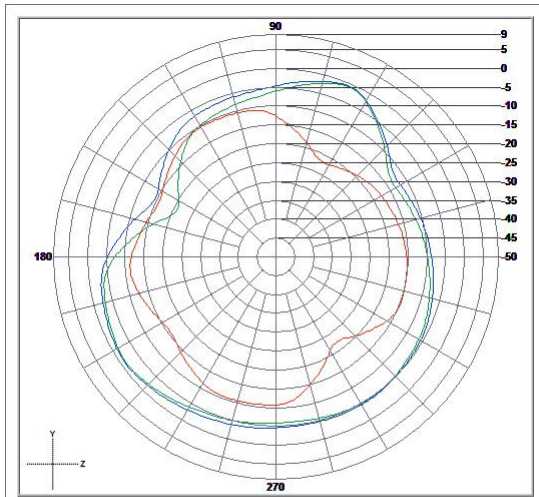
## 3. 3D Chamber Test System



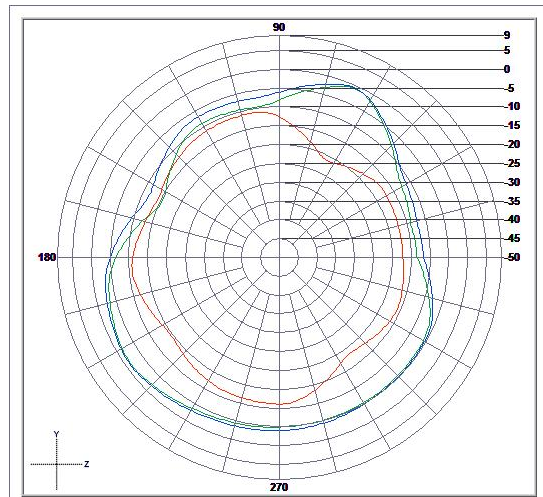
## Efficiency & Gain

2.40	-0.17
2.440	-0.12
2.48	0

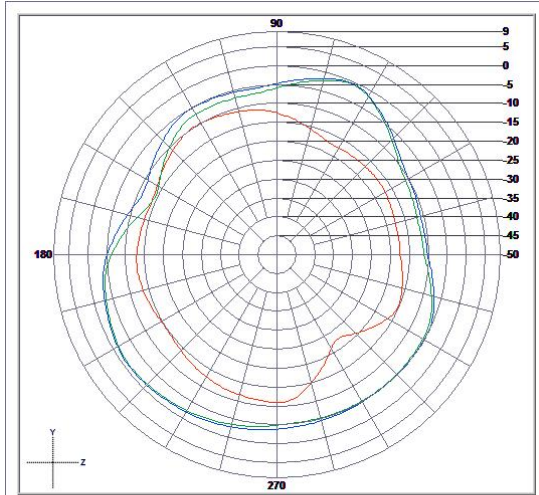
## Radiation Pattern:



	Vertical	Horizontal	Total
Avg. Gain	-13.14	-5.08	-4.45
Peak Gain	-10.08	-0.03	-0.01



	Vertical	Horizontal	Total
Avg. Gain	-13.34	-5.06	-4.46
Peak Gain	-10.3	0.09	0.12



	Vertical	Horizontal	Total
Avg. Gain	-13.42	-4.6	-4.06
Peak Gain	-9.47	0.1	0.17

