

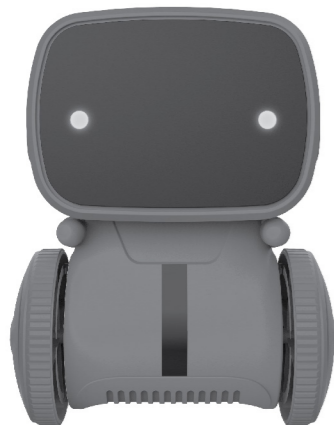


10+

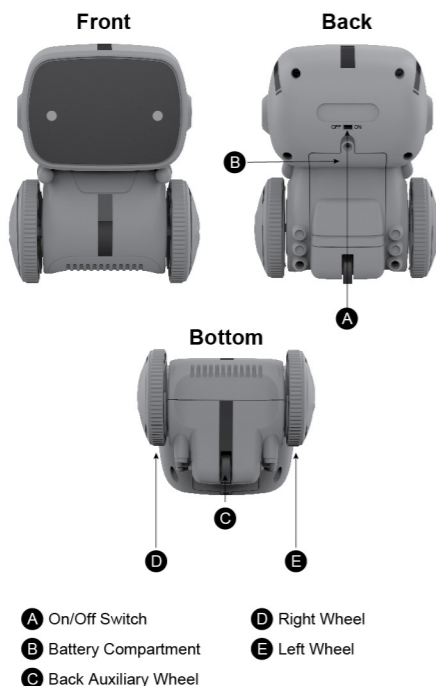
# BLUETOOTH ROBOT

## INSTRUCTION MANUAL

Thank you for purchasing the Bluetooth Robot. This manual provides more information about this product, please read the instructions before using.



### Product Overview



- A** On/Off Switch
- B** Battery Compartment
- C** Back Auxiliary Wheel
- D** Right Wheel
- E** Left Wheel

### Package Contents

BIL BOT x 1pc  
Instruction Manual x 1pc

### Specifications

Power supply: 3 x "AAA" 1.5V Batteries (Not Included)

### Download BIL BOT App



Compatible With: iOS & Android

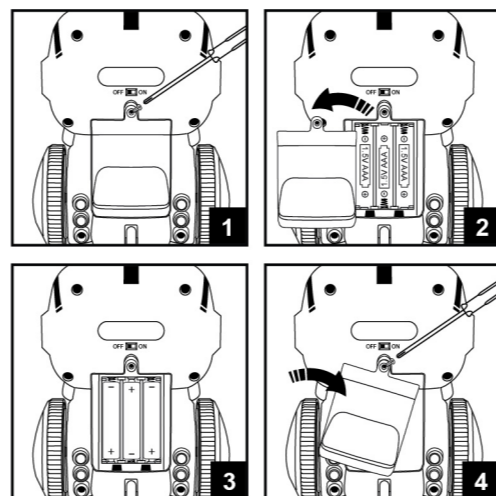
Method 1: Scan the QR Code for quick download.  
Method 2: Search "BIL BOT" in the Apple Store or Google Play Store.

Bluetooth device request:  
For Apple device, iOS 8.0 or above is request.  
For Android device, Ver 6.0 or above is request.

### Batteries Installation

1. Switch off BIL BOT.
2. Unscrew the screw on the battery compartment.
3. Insert 3 x "AAA" 1.5V batteries (Not Included) into the battery compartment.
4. Batteries should be placed as shown on the diagram (3).
5. Close the battery compartment cover and fasten the screw.

Note:  
When inserting the batteries, you must insert according to the correct polarity, the BIL BOT will not function if batteries are reversed.

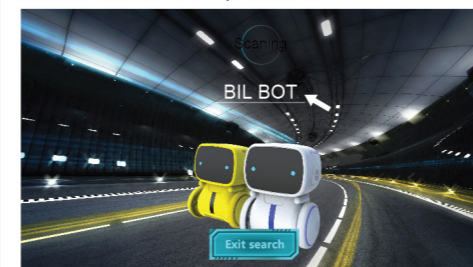


### Getting Started

1. Switch on the BIL BOT button and turn on your Bluetooth device.
2. Open the BIL BOT app and click the connect button on the main page.

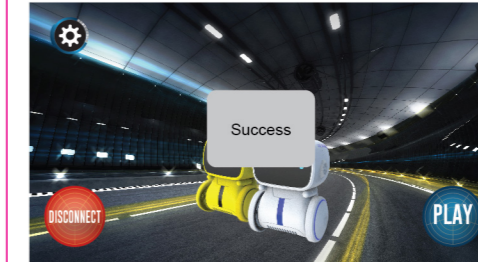


3. Click the name "BIL BOT" to pair the BIL BOL.



### Getting Started

4. When the BIL BOT is connected to your Bluetooth device, the screen will be shown "Success".



5. You can click play button to start BIL BOT. If you want to quit the pairing, click the disconnect button.

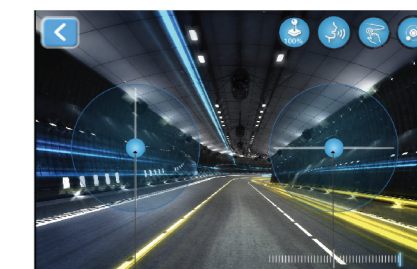


### Control Interface Description



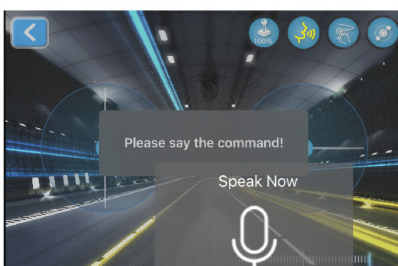
Steering Wheel Adjustment

### Speed Control



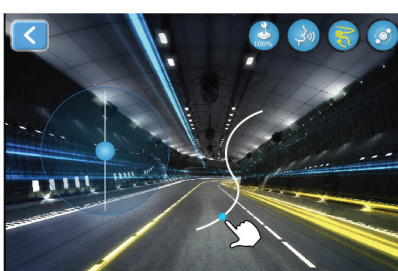
Forward / Backward Left / Right  
Use the left controller to move BIL BOT forward / backward.  
Use the right controller to turn BIL BOT left / right.

### Voice Control



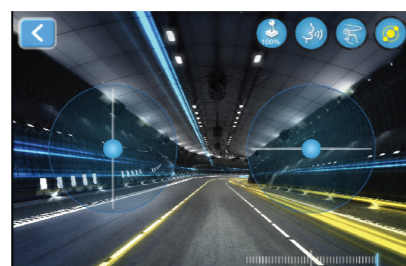
Command List:  
Go ahead: BIL BOT will move forward in 10 second.  
Fall back: BIL BOT will move backward in 10 second.  
Left: BIL BOT will turn left and move forward in 10 second.  
Right: BIL BOT will turn right and move forward in 10 second.  
Stop: BIL BOT will stop.

### Gesture Control



Draw a line on the screen and the BIL BOT will automatically follow the path to start moving.

### Gravity Control



Move BIL BOT forward:

Move BIL BOT backward:

Turn BIL BOT to left:

Turn BIL BOT to right:

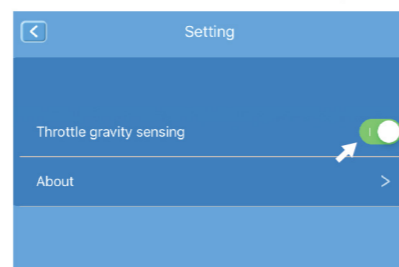
### Setting

#### Throttle Accelerometer Setting

Go to the main page, then click the Setting icon (see below).



Switch the on/off button of the throttle accelerometer (see below). When you switch off the throttle accelerometer, you can only use the Speed control to control forward and backward in Gravity Control mode.



### Performance Tips

1. Do NOT drive the BIL BOT on grass, sand or go through water.
2. Do NOT drive the BIL BOT in windy or rainy weather.
3. Do NOT drive the BIL BOT into any hard object.
4. Keep fingers, hair and loose clothing away from BIL BOT.

### Care and Maintenance

Always use dry and soft cloth to clean this product.

Avoid this product from being exposed to sunlight or heat.

Avoid immersing these toys in water, otherwise, the electronic parts may be damaged.

Check the product regularly. If any damages are discovered, please stop using immediately, until it is completely repaired in good working condition.

### IMPORTANT: BATTERY INFORMATION

#### CAUTION:

1. TO AVOID BATTERY LEAKAGE
  - a. Always follow the instructions carefully. Use only batteries specified and be sure to insert them correctly by matching the + and - polarity markings.
  - b. Do not mix old batteries and new batteries or standard (carbon-zinc) with alkaline batteries.
  - c. Remove exhausted or dead batteries from the product.
  - d. Remove batteries if product is not to be played with for a long time.
  - e. Do not short-circuit the supply terminals.
2. Should this product cause, or be affected by local electrical interference, move it away from other electrical equipment. Reset (switching ON&OFF again or removing and re-inserting batteries) if necessary.

### Warning

This product is suitable to be used by people who has operating experience in rc car model or aged no less than 10 years old.

Please do not put the product in your mouth to prevent choking hazard of small parts.

Please do not put the finger into available interspaces.

Please do not play the product in a brutal way such as throwing, crashing or twisting it.

Please store the smaller-sized product accessories in places that are out of reach of children, in order to avoid the occurrence of accidents.

Avoid placing the batteries in places in high temperatures and avoid exposure to heat.

When young children are operating the product, it shall be ensured that the adults are guiding and making sure the product control is within the viewing range of the controller (or instructor) so that it makes the control of the rc car more convenient.

When the product is not in use, please switch off the power supplies of the Wireless RC Car and the remote control, and remove the batteries from the product.

Please note that we won't take any responsibility for any wrong operation as this may result in severe injury or loss of property, and we cannot control the operating process during the time when the user assembles or uses this product.

Once this product is sold, we won't be responsible for any safety responsibility during the time the user operates or uses controls this products.

### FCC Statement

This device complies with the part 15 of the FCC rules. Operation is subject to the following two conditions:(1) this device may not cause harmful interference, and (2) this device must accept any interference received, including interference that may cause undesired operation.  
Caution: changes or modifications not expressly approved by the party responsible for compliance could void the user's authority to operate the equipment.

NOTE: This equipment has been tested and found to comply with the limits for a Class B digital device, pursuant to Part 15 of the FCC Rules. These limits are designed to provide reasonable protection against harmful interference in a residential installation. This equipment generates, uses and can radiate radio frequency energy and, if not installed and used in accordance with instructions may cause harmful interference to radio or television reception, which can be determined by turning the equipment off and on. The user is encouraged to try to correct the interference by one or more of the following measures:  
• Reorient or relocate the receiving antenna.  
• Increase the separation between the equipment and receiver.  
• Connect the equipment into an outlet on a circuit different from that to which the receiver is connected.  
• Consult the dealer or experienced radio/ TV technician for help.

RF warning statement:  
The device has been evaluated to meet general RF exposure requirement. The device can be used in portable exposure condition without restriction.

FCC ID: 2ADM5-ET-0052



Keep All Relevant Information for Future Reference