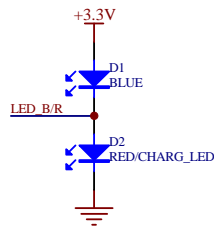
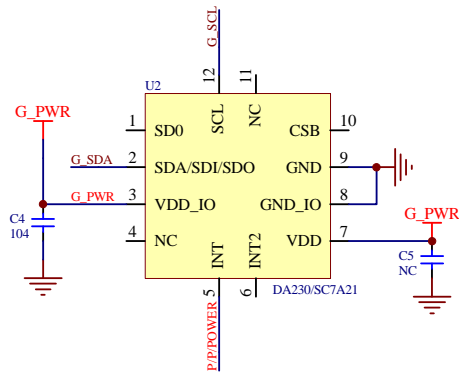


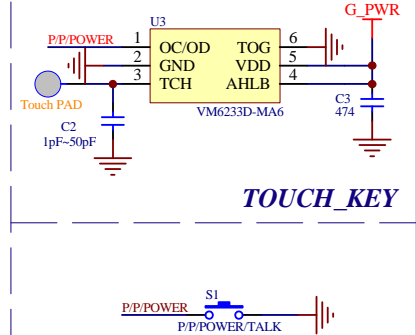
MCU



LED



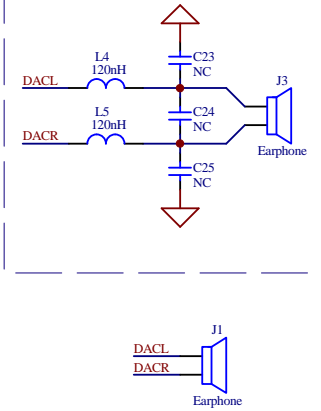
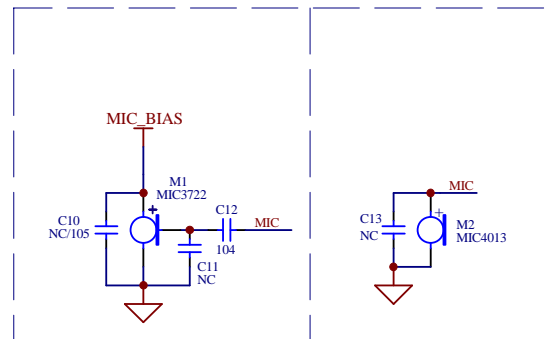
G-SENSOR



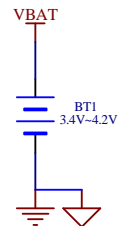
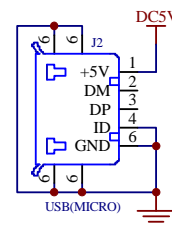
TOUCH\_KEY



KEY



Mic , Earphone



POWER