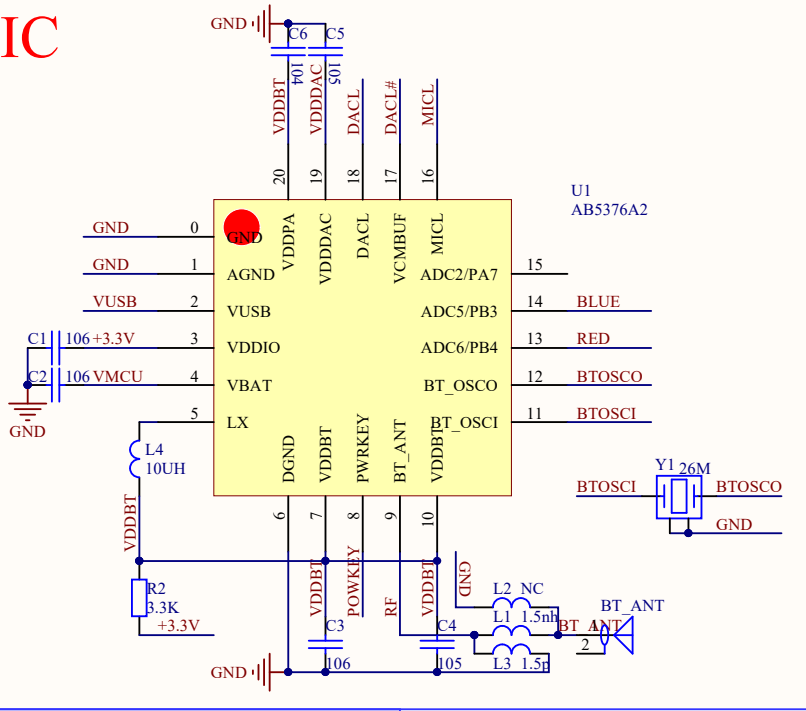
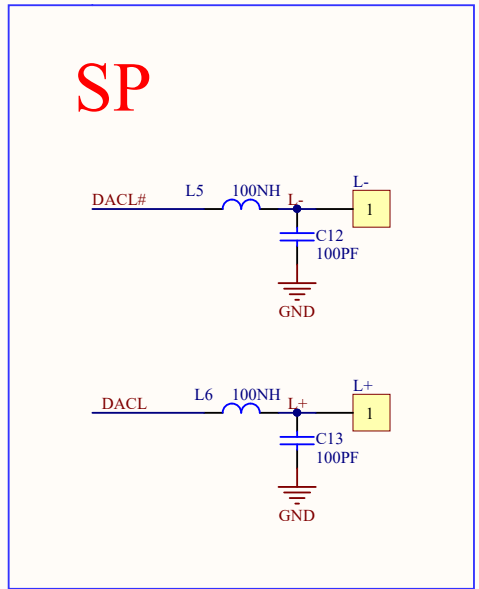


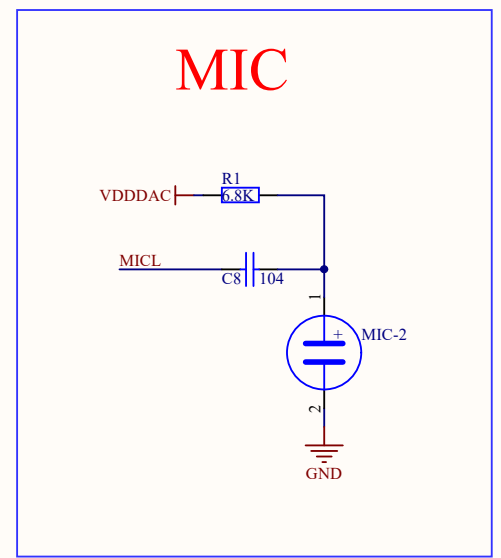
IC



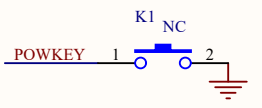
SP



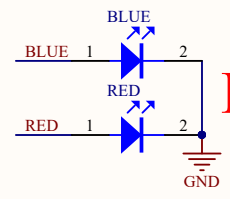
MIC



KEY



LED



DC

