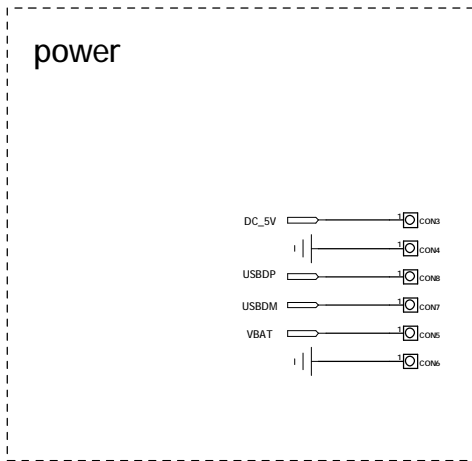
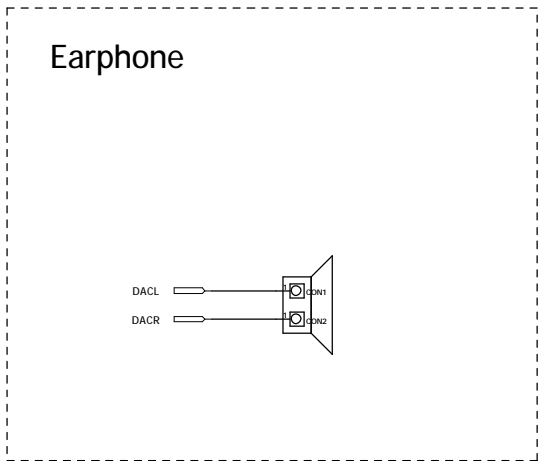
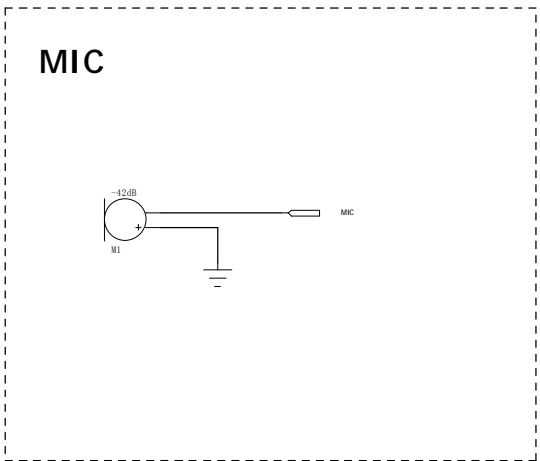
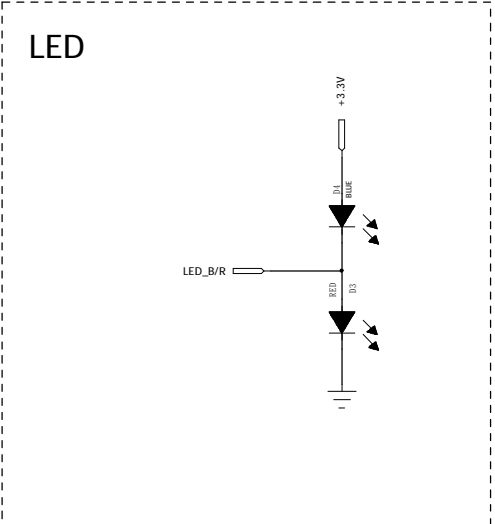
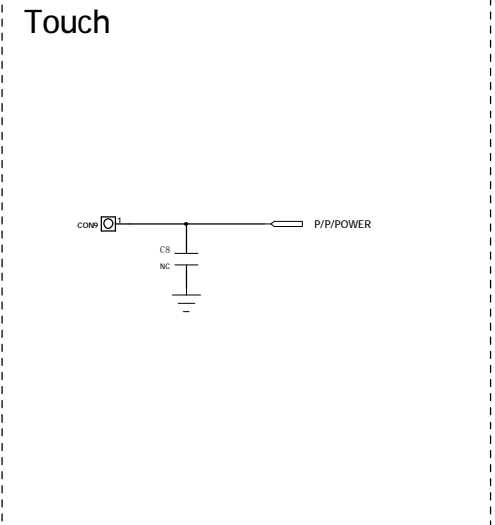
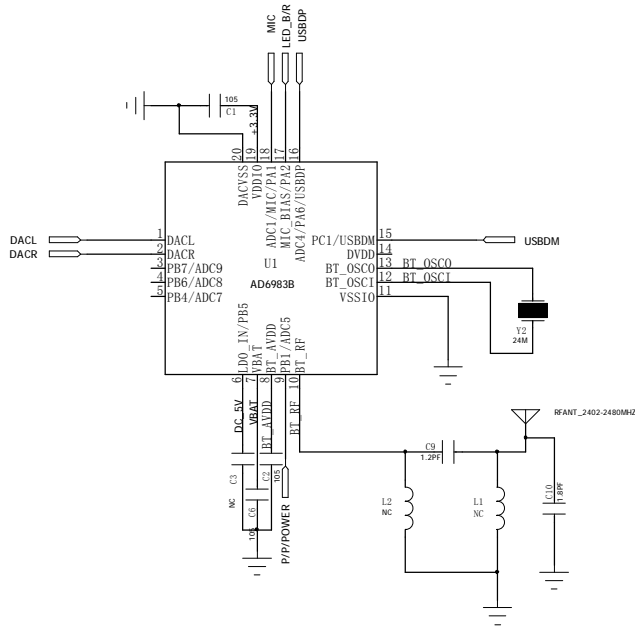


# MCU\_AD6983B



PCB File Name	
Title	
Size B	Document Number
Date: 2007/9/12	Sheet 1 of 1
Rev 2.0	