



ELEMENT

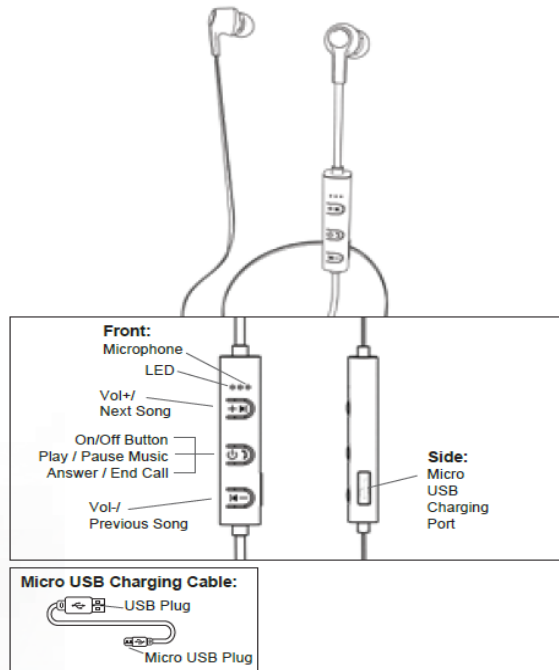
WIRELESS EARBUDS

INSTRUCTION MANUAL

Thank you for purchasing the Element Wireless Earbuds. This manual provides more information about the wireless earbuds, please read the instructions before using.



Earbuds Overview



Package Contents

- Element Wireless Earbuds x 1
- Micro USB Cable x 1
- Instruction Manual x 1

Power On/Off

- ◆ **Power On**
Press and hold down the On/Off Button for 2 seconds and the LED will flash.
- ◆ **Power Off**
Press and hold down the On/Off Button for 3 seconds and the LED will turn off.

Pair the wireless earbuds with your mobile device

1. Keep the distance between your wireless earbuds and mobile phone (or other devices) within 32.8 Feet.
 2. Power on the wireless earbuds.
 3. Activate the Bluetooth function on your phone within range and select "BT ELEMENT BUDS" from the list shown.
 4. The Blue LED will light up when paired successfully.
- ◆ Attention: If the pairing is not successful within 5 minutes, the earbuds will power off, please repeat the pairing procedures to try again.

Reconnect the wireless earbuds to your mobile device

- ◆ When powered on, the earbuds will automatically connect with the last successfully paired device.

Disconnect the wireless earbuds from your mobile device

- ◆ Power off the earbuds; or
- ◆ Switch off the Bluetooth on your mobile phone; or
- ◆ Leave the earbuds 60ft away from your mobile phone or further.

Answer / Reject a call

- ◆ When you receive a call, press the On/Off Button once to accept the call, or answer the call normally via your mobile phone.
- ◆ Long press On/Off Button to reject a call.

End a call

- ◆ Press the On/Off Button once to end the call or hang up your mobile phone.

Functions

- ◆ Short press + Button to advance to next song.
- ◆ Short press - Button to go back to previous song.
- ◆ Long press + Button to turn up volume.
- ◆ Long press - Button to turn down volume.

Charging your Earbuds

- ◆ LED indicator light turns red when charging your earbuds.
- ◆ LED indicator will turn OFF when your earbuds are fully charged.

Technical specification

Driver Diameter:	10 mm
Impedance:	32 Ohms
Sensitivity:	95 dB +/- 3 dB
Frequency Response:	20 Hz - 20 KHz
Rechargeable Li-Ion Battery:	3.7 V
Battery Capacity:	60 mAh
Charging Time:	1 - 2 Hours
Playing Time:	2 - 3 Hours
Bluetooth Operating Range:	32.8 Feet

FAQ

- ◆ If the Rebel Wireless Earbuds cannot be paired with your device, please try the following:
Ensure that your earbuds are in pairing mode or reconnection mode. Ensure that Bluetooth search function of your mobile device is activated.
- ◆ If the Rebel Wireless Earbuds will not turn on:
Make sure the earbuds are fully charged.
- ◆ Can I change the battery for the earbuds?
Rebel Wireless Earbuds use a built-in non-detachable battery which cannot be removed.
- ◆ If the Rebel Wireless Earbuds cannot be recharged:
If you use a power outlet, ensure that the power supply is connected securely and the outlet works. If you use a computer, ensure that it is connected and the USB port is powered.

⚠ Safety instructions for the lithium battery and charging the product

- The input voltage to the product is 5V 1A.
- In order to charge the product in safe manner and reliable conditions, please only adopt certified appropriate charger/ adapter for charging the product.
- Only charge the product at ambient temperatures between 10 deg °C/ 50 deg °F and 40 deg °C/104 deg °F.
- Do not heat above 70 deg °C/158 deg °F, eg. Do not expose to sunlight or throw into fire.
- Switch off the product after use.
- Please note that we won't take any responsibility for any wrong operation (eg. Voltage higher than 5V) as this may result in severe injury or loss of property, and we cannot control the operating process during the time the user using this product.
- In extreme cases, abuse or misuse of Lithium battery pack can lead to explosion, heat generation, fire development or smoke development.

FCC STATEMENT

1. This device complies with Part 15 of the FCC Rules. Operation is subject to the following two conditions:
(1) This device may not cause harmful interference.
(2) This device must accept any interference received, including interference that may cause undesired operation.
2. Changes or modifications not expressly approved by the party responsible for compliance could void the user's authority to operate the equipment.

NOTE: This equipment has been tested and found to comply with the limits for a Class B digital device, pursuant to Part 15 of the FCC Rules. These limits are designed to provide reasonable protection against harmful interference in a residential installation. This equipment generates uses and can radiate radio frequency energy and, if not installed and used in accordance with the instructions, may cause harmful interference to radio communications. However, there is no guarantee that interference will not occur in a particular installation. If this equipment does cause harmful interference to radio or television reception, which can be determined by turning the equipment off and on, the user is encouraged to try to correct the interference by one or more of the following measures:
- Reorient or relocate the receiving antenna.
- Increase the separation between the equipment and receiver.
- Connect the equipment into an outlet on a circuit different from that to which the receiver is connected.
- Consult the dealer or an experienced radio/TV technician for help.

RF warning statement:

The device has been evaluated to meet general RF exposure requirement. The device can be used in portable exposure condition without restriction.

Item# EP-0612



Distributed by 1616 Holdings, Inc.
701 Market Street, Suite 200
Philadelphia, PA 19106
Made in Vietnam

FCC ID: 2ADM5-EP-0612

Keep All Relevant Information for Future Reference