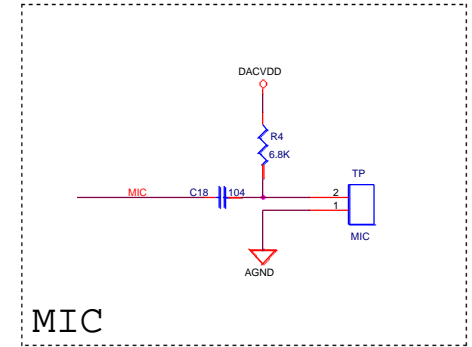
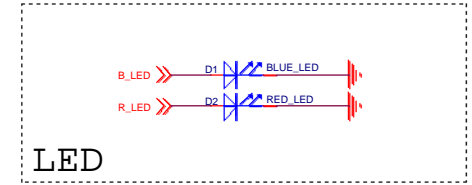


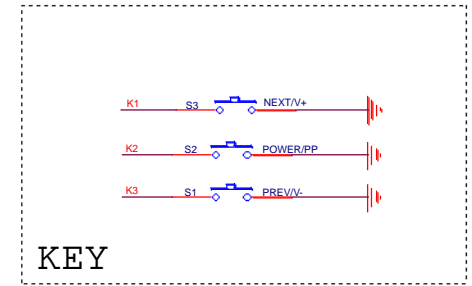
MCU



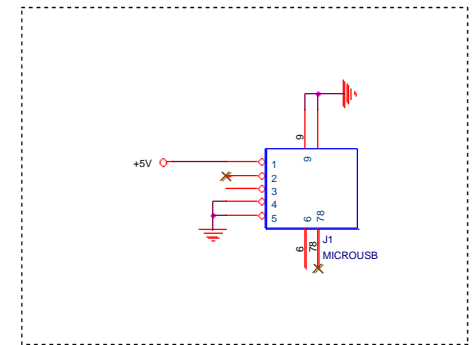
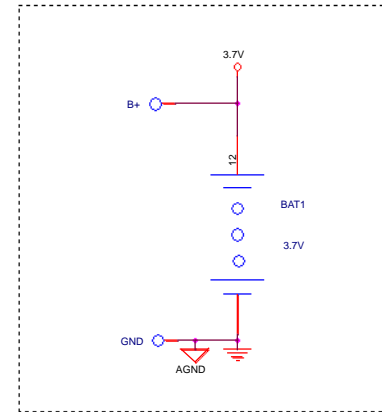
MIC



LED



KEY



Title		
AC6904		
Size	Document Number	Rev
A3		1.0
Date:	Monday, April 09, 2018	Sheet 1 of 1