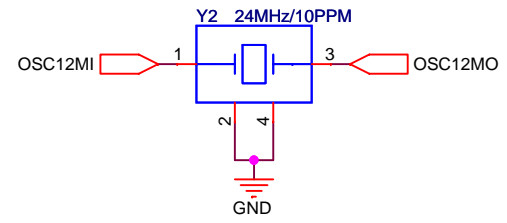
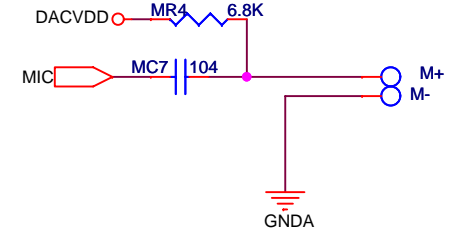


**MCU: LC6904A**

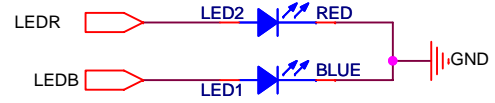
**BLUETOOTH**



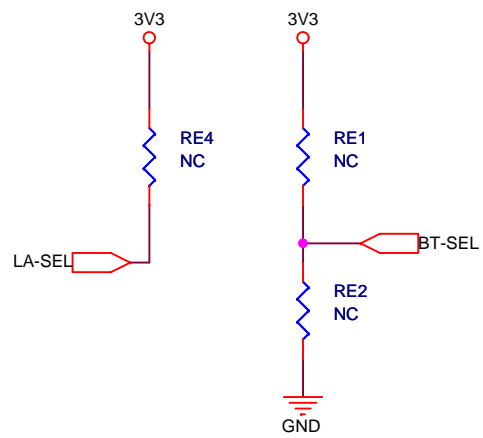
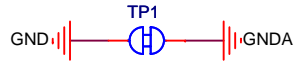
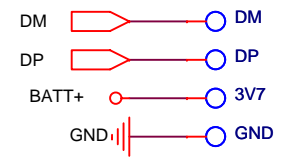
**MIC**



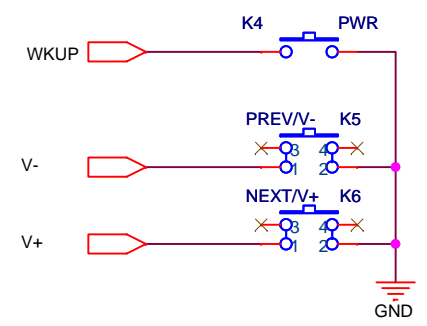
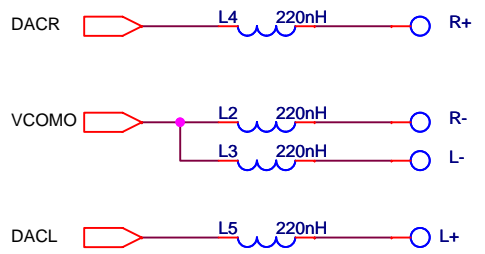
**LED**



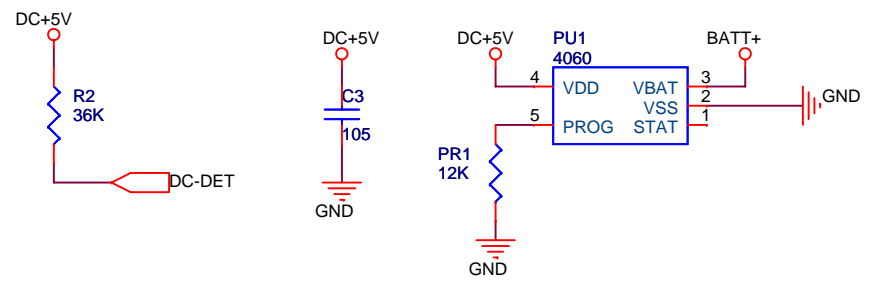
**TEST POINT**



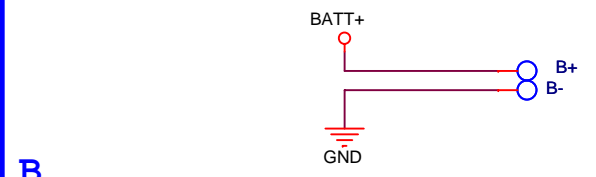
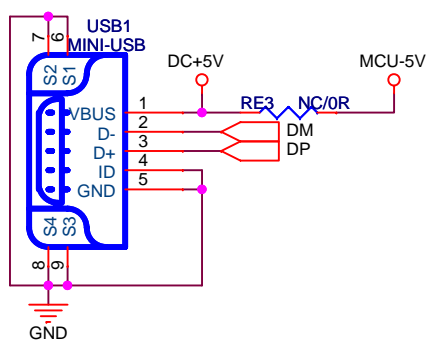
Title			<Title>
Size	Document Number	Rev	
A4	<Doc>	V1.0	
Date:	Wednesday, July 05, 2017	Sheet	1 of 3



%



USB



<b>S</b>	
Title	<Title>
<b>P</b>	
Size	Document Number
A4	<Doc>
Date:	Rev
Wednesday, July 05, 2017	V1.0
Sheet	of
2	3