



Antenna Gain Test Report

Project No.: 4790439417

Client Name: Shenzhen H&T Intelligent Control Co Ltd

Client Address: 518132. GUANGDONG. SHENZHEN. H&T INDUSTRY PARK.18
BaoShan Road TIANLIAO COMMUNITY. GONGMING
GUANGMING DISTRICT.

Product Name: Speaker+ LED driver module

Manufacture: Shenzhen H&T Intelligent Control Co Ltd

Antenna Type: FPC

Antenna Size: 32.5 mm * 10 mm

Project Engineer: James Qin

Test Standards: GB/T 9410-2008

Issued Date: 2022.8.17

UL Verification Services (Guangzhou) Co., Ltd, Song Shan Lake Branch

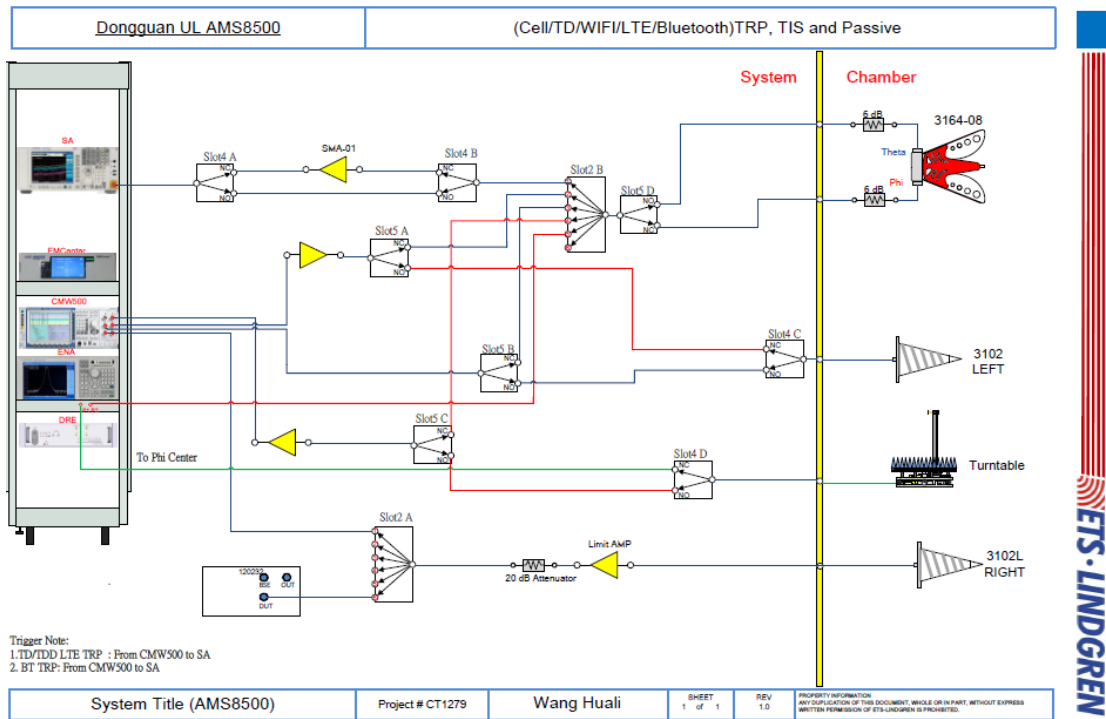
*This report shall not be reproduced except in full, without the written approval of UL Verification Services (Guangzhou) Co., Ltd,
Song Shan Lake Branch.*



1 Test Equipment Information

Equipment	Manufacturer	Mode No.	Serial No.	Cal date	Cal Due
Test Software	ETS-Lindgren	EMQuest V1.12	1496	/	/
Network Analyzer	Keysight	E5071C	MY46524531	2021.10.30	2022.10.29

2 Setup block diagram



3 Test Temperature and Humidity

Temperature: 22.4°C

Humidity: 65%

UL Verification Services (Guangzhou) Co., Ltd, Song Shan Lake Branch

This report shall not be reproduced except in full, without the written approval of UL Verification Services (Guangzhou) Co., Ltd, Song Shan Lake Branch.



4 Test Result

Frequency (MHz)	Gain (dBi)
2400	-0.90
2410	-0.67
2420	-0.37
2430	-0.14
2440	0.09
2450	0.36
2460	0.56
2470	0.64
2480	0.69
2490	0.87
2500	1.00

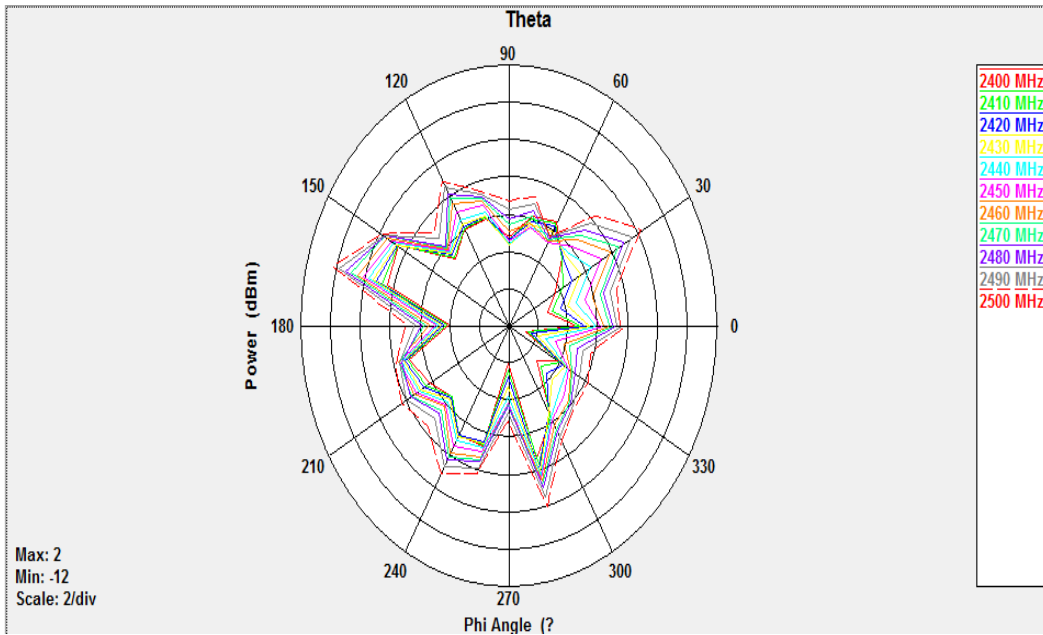
UL Verification Services (Guangzhou) Co., Ltd, Song Shan Lake Branch

*This report shall not be reproduced except in full, without the written approval of UL Verification Services (Guangzhou) Co., Ltd,
Song Shan Lake Branch.*

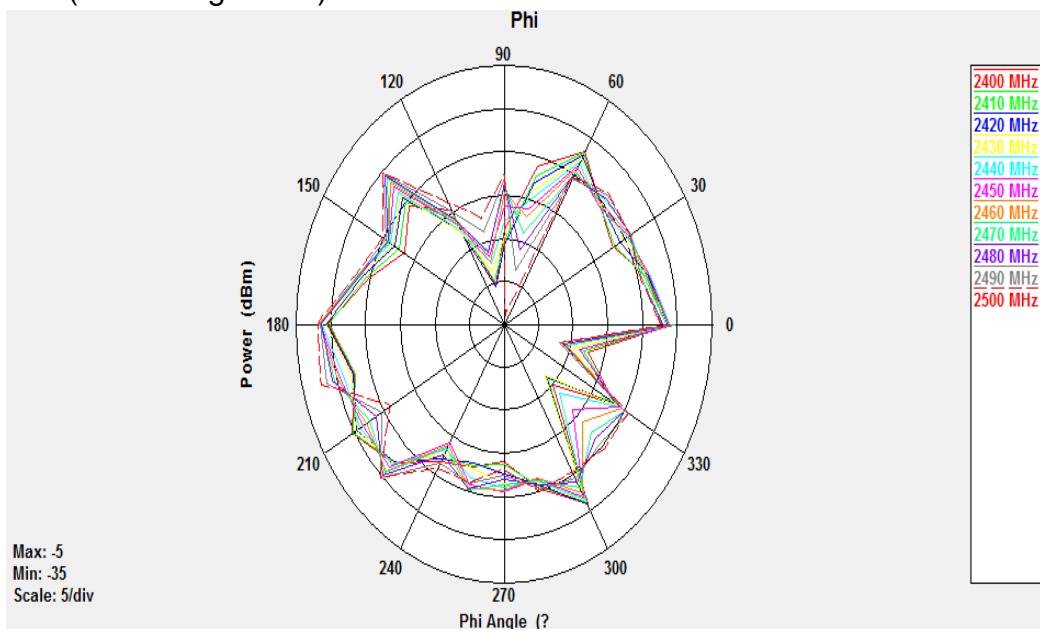


5 Polarization Pattern Photos

Theta Polarization(Theta Angle=90°)



Phi Polarization(Theta Angle=90°)

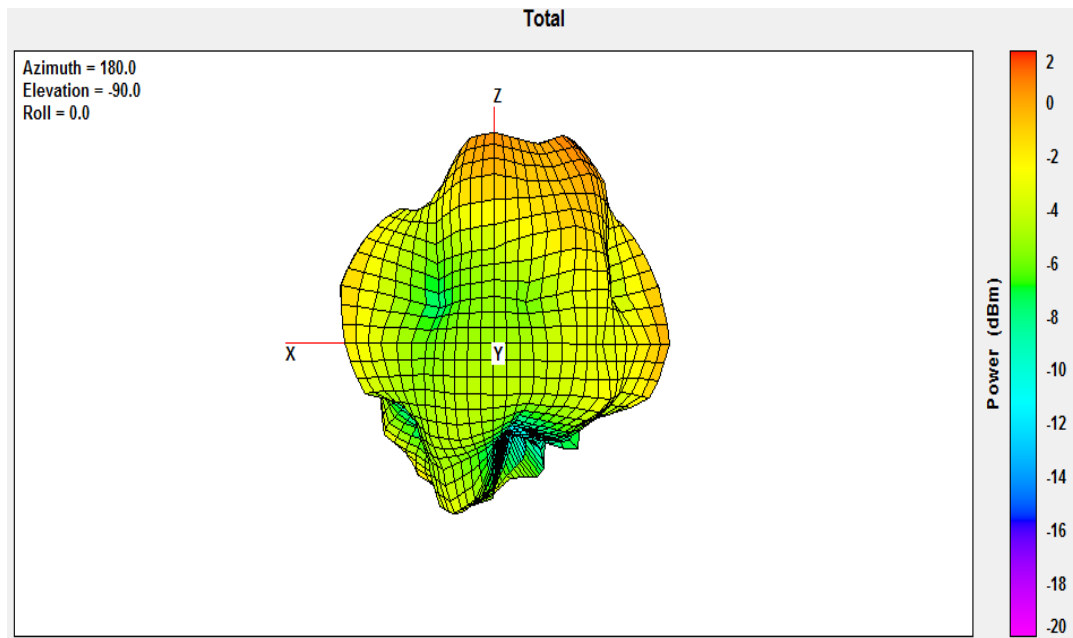
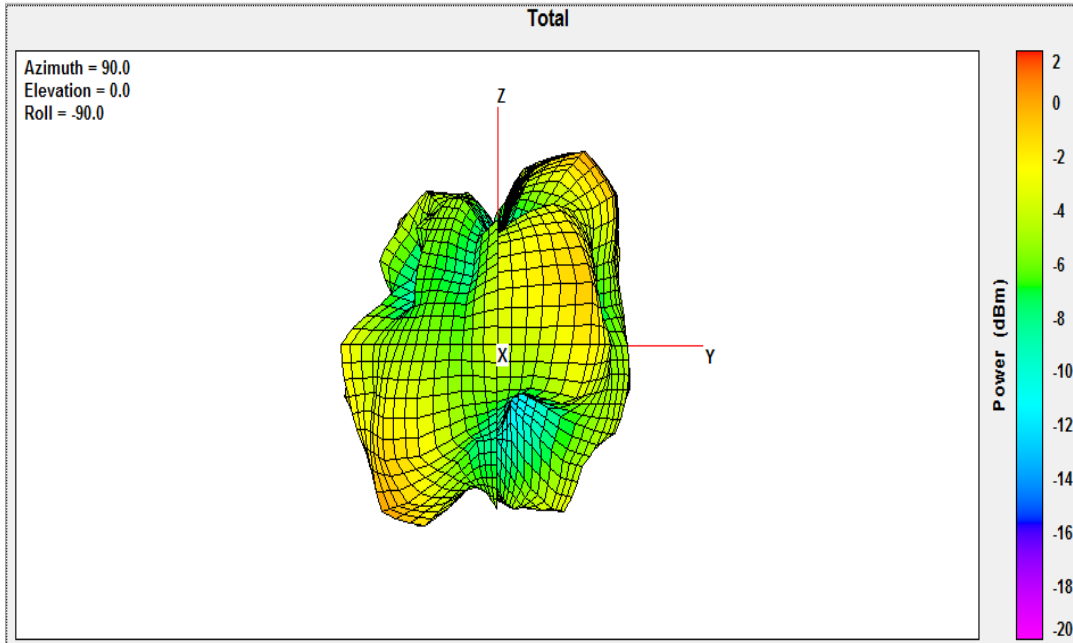


UL Verification Services (Guangzhou) Co., Ltd, Song Shan Lake Branch

This report shall not be reproduced except in full, without the written approval of UL Verification Services (Guangzhou) Co., Ltd, Song Shan Lake Branch.

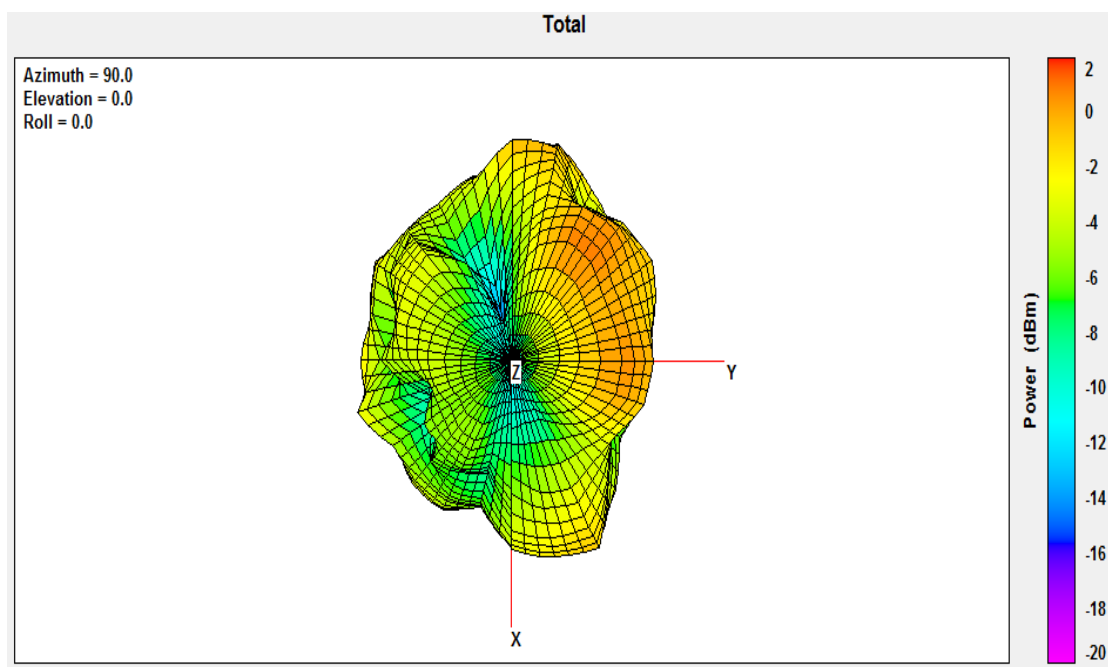


Total 3D Plot(Fre.2500MHz)



UL Verification Services (Guangzhou) Co., Ltd, Song Shan Lake Branch

This report shall not be reproduced except in full, without the written approval of UL Verification Services (Guangzhou) Co., Ltd, Song Shan Lake Branch.



UL Verification Services (Guangzhou) Co., Ltd, Song Shan Lake Branch

This report shall not be reproduced except in full, without the written approval of UL Verification Services (Guangzhou) Co., Ltd, Song Shan Lake Branch.



6 Photo

Please refer to the appendix of antenna report_2.4GHz

END OF REPORT

UL Verification Services (Guangzhou) Co., Ltd, Song Shan Lake Branch

*This report shall not be reproduced except in full, without the written approval of UL Verification Services (Guangzhou) Co., Ltd,
Song Shan Lake Branch.*