



RF Test Report

For

Applicant Name: Xwireless LLC
Address: 11565 Old Georgetown Road, Rockville, MD, USA
EUT Name: Mobile Phone
Brand Name: Vortex
Model Number: HD60L

Issued By

Company Name: BTF Testing Lab (Shenzhen) Co., Ltd.
Address: F101, 201 and 301, Building 1, Block 2, Tantou Industrial Park, Tantou Community, Songgang Street, Bao'an District, Shenzhen, China

Report Number: BTF230810R00505
Test Standards: 47 CFR Part 15 Subpart E Section 15.407
FCC ID: 2ADLJ-HD60L
Test Conclusion: Pass
Test Date: 2023-08-10 to 2023-08-25
Date of Issue: 2023-08-28

Prepared By:

Elma.Yang

Date:

Elma.Yang / Project Engineer
2023-08-28

Approved By:

Ryan.CJ

Date:

Ryan.CJ / EMC Manager
2023-08-28



Note: All the test results in this report only related to the testing samples. Which can be duplicated completely for the legal use with approval of applicant; it shall not be reproduced except in full without the written approval of BTF Testing Lab (Shenzhen) Co., Ltd., All the objections should be raised within thirty days from the date of issue. To validate the report, you can contact us.

| Revision History | | |
|------------------|---|-------------------|
| Version | Issue Date | Revisions Content |
| R_V0 | 2023-08-28 | Original |
| | | |
| <i>Note:</i> | <i>Once the revision has been made, then previous versions reports are invalid.</i> | |

Table of Contents

| | | |
|---------|---|----|
| 1. | Introduction..... | 4 |
| 1.1 | Identification of Testing Laboratory | 4 |
| 1.2 | Identification of the Responsible Testing Location | 4 |
| 1.3 | Laboratory Condition..... | 4 |
| 1.4 | Announcement | 4 |
| 2. | Product Information..... | 5 |
| 2.1 | Application Information | 5 |
| 2.2 | Manufacturer Information | 5 |
| 2.3 | Factory Information | 5 |
| 2.4 | General Description of Equipment under Test (EUT)..... | 5 |
| 2.5 | Technical Information..... | 6 |
| 3. | Summary of Test Results..... | 8 |
| 3.1 | Test Standards | 8 |
| 3.2 | Summary of Test Result | 8 |
| 3.3 | Uncertainty of Test..... | 8 |
| 4. | Test Configuration..... | 9 |
| 4.1 | Environment Condition | 9 |
| 4.2 | Test Equipment List..... | 9 |
| 4.3 | Test Auxiliary Equipment | 9 |
| 4.4 | Test Setup..... | 10 |
| 5. | DFS TEST INFORMATION | 11 |
| 5.1 | DFS test requirement..... | 11 |
| 5.2 | DFS Detection Thresholds | 14 |
| 5.3 | Radar Test Waveforms | 15 |
| 6. | Test Item..... | 18 |
| 6.1 | Calibration of Radar Waveform..... | 18 |
| 6.2 | Channel Move Time, Channel Closing Transmission Time..... | 19 |
| ANNEX A | Test Results | 21 |
| ANNEX B | TEST SETUP PHOTOS..... | 27 |
| ANNEX C | EUT EXTERNAL PHOTOS | 29 |
| ANNEX D | EUT INTERNAL PHOTOS | 29 |

1. Introduction

1.1 Identification of Testing Laboratory

| | |
|---------------|---|
| Company Name: | BTF Testing Lab (Shenzhen) Co., Ltd. |
| Address: | F101, 201 and 301, Building 1, Block 2, Tantou Industrial Park, Tantou Community, Songgang Street, Bao'an District, Shenzhen, China |
| Phone Number: | +86-0755-23146130 |
| Fax Number: | +86-0755-23146130 |

1.2 Identification of the Responsible Testing Location

| | |
|--------------------------|---|
| Test Location: | BTF Testing Lab (Shenzhen) Co., Ltd. |
| Address: | F101, 201 and 301, Building 1, Block 2, Tantou Industrial Park, Tantou Community, Songgang Street, Bao'an District, Shenzhen, China |
| Description: | All measurement facilities used to collect the measurement data are located at F101,201 and 301, Building 1, Block 2, Tantou Industrial Park, Tantou Community, Songgang Street, Bao'an District, Shenzhen, China |
| FCC Registration Number: | 518915 |
| Designation Number: | CN1330 |

1.3 Laboratory Condition

| | |
|----------------------------|--------------------|
| Ambient Temperature: | 20°C to 25°C |
| Ambient Relative Humidity: | 45% to 55% |
| Ambient Pressure: | 100 kPa to 102 kPa |

1.4 Announcement

- (1) The test report reference to the report template version v0.
- (2) The test report is invalid if not marked with the signatures of the persons responsible for preparing, reviewing and approving the test report.
- (3) The test report is invalid if there is any evidence and/or falsification.
- (4) This document may not be altered or revised in any way unless done so by BTF and all revisions are duly noted in the revisions section.
- (5) Content of the test report, in part or in full, cannot be used for publicity and/or promotional purposes without prior written approval from the laboratory.
- (6) The laboratory is only responsible for the data released by the laboratory, except for the part provided by the applicant.

2. Product Information

2.1 Application Information

| | |
|---------------|---|
| Company Name: | Xwireless LLC |
| Address: | 11565 Old Georgetown Road, Rockville, MD, USA |

2.2 Manufacturer Information

| | |
|---------------|---|
| Company Name: | Xwireless LLC |
| Address: | 11565 Old Georgetown Road, Rockville, MD, USA |

2.3 Factory Information

| | |
|---------------|--|
| Company Name: | ZTECH COMMUNICATION(SZ) CO LTD |
| Address: | FL 7 BLOCK D BAO'AN ZHIGU INNOVATION PARK YIN'TIAN ROAD NO.4 XI'XIANG STR' BAO'AN DISTRICT SZ CHINA |

2.4 General Description of Equipment under Test (EUT)

| | |
|-----------------------|--------------|
| EUT Name | Mobile Phone |
| Under Test Model Name | HD60L |

2.5 Technical Information

The requirement for the following technical information of the EUT was tested in this report:

| | |
|--|---|
| Modulation technology | OFDM |
| Modulation Type | BPSK, QPSK, 16QAM, 64QAM |
| Function | <input type="checkbox"/> Outdoor AP <input type="checkbox"/> Indoor AP <input type="checkbox"/> Fixed P2P <input checked="" type="checkbox"/> Client |
| DFS type | <input type="checkbox"/> Master <input type="checkbox"/> Slave with radar detection <input checked="" type="checkbox"/> Slave without radar detection |
| Operation Frequency Range | U-NII Band 2A: 5.26~5.32 GHz |
| Frequency Block | U-NII Band 2A: 5.25~5.35 GHz |
| Channel Bandwidth | 802.11a: 20 MHz 802.11n: 20 MHz, 40 MHz |
| Antenna Type | PIFA antenna |
| Antenna Gain | 1.09 dBi (In test items related to antenna gain, the final results reflect this figure. This value is provided by the applicant.) |
| Antenna Impedance | 50Ω |
| Antenna System (MIMO Smart Antenna) | N/A |

Note:

#: The antenna gain provided by the applicant, and the laboratory will not be responsible for the accumulated calculation results which covers the information provided by the applicant.

According to section 15.31(m), regards to the operating frequency range over 10 MHz, must select three channels which were tested. The Lowest frequency, the middle frequency, and the highest frequency of channel were selected to perform the test, please see the below .

| Band | Test Channel | 20MHz | | 40MHz | |
|----------|-----------------|---------|-----------------|---------|-----------------|
| | | Channel | Frequency (MHz) | Channel | Frequency (MHz) |
| U-NII-2A | CH _L | 52 | 5260 | 54 | 5270 |
| | CH _M | 56 | 5280 | - | - |
| | CH _H | 64 | 5320 | 62 | 5310 |

3. Summary of Test Results

3.1 Test Standards

| No. | Identity | Document Title |
|-----|---|---|
| 1 | 47 CFR Part 15 Subpart E Section 15.407 | Unlicensed National Information Infrastructure Devices |
| 2 | ANSI C63.10-2013 | American National Standard for Testing Unlicensed Wireless Devices |
| 3 | KDB905462 D02 v02 | COMPLIANCE MEASUREMENT PROCEDURES FOR UNLICENSED-NATIONAL INFORMATION INFRASTRUCTURE DEVICES OPERATING IN THE 5250-5350 MHz AND 5470-5725 MHz BANDS INCORPORATING DYNAMIC FREQUENCY SELECTION |
| 4 | KDB905462 D03 v01r02 | U-NII CLIENT DEVICES WITHOUT RADAR DETECTION CAPABILITY |
| 5 | KDB905462 D04 v01 | OPERATIONAL MODES SUGGESTED FOR DFS TESTING |

3.2 Summary of Test Result

| No. | Description | FCC Part No. | Test Result | Test By | Verdict | Remark |
|-----|--|--------------|-------------|-----------|---------|--------|
| 1 | Calibration of Radar Waveform | 15.407(i) | ANNEX A.1 | Elma yang | Pass | -- |
| 2 | Channel Move Time, Channel Closing Transmission Time | 15.407(i) | ANNEX A.2 | Elma yang | Pass | -- |

3.3 Uncertainty of Test

The following measurement uncertainty levels have been estimated for tests performed on the EUT as specified in CISPR 16-4-2 and TR100 028-1/-2. This uncertainty represents an expanded uncertainty expressed at approximately the 95% confidence level using a coverage factor of k=2.

| Measurement | Value |
|-----------------------------------|---------|
| Occupied Channel Bandwidth | 69 KHz |
| RF output power, conducted | 0.87 dB |
| Power Spectral Density, conducted | 0.69 dB |
| Unwanted Emissions, conducted | 0.94 dB |
| All emissions, radiated(<1GHz) | 4.12 dB |
| All emissions, radiated(>1GHz) | 4.16 dB |
| Temperature | 0.82 °C |
| Humidity | 4.1 % |

4. Test Configuration

4.1 Environment Condition

| Environment Parameter | Selected Values During Tests | | | |
|---|------------------------------|--------------------|-------------------|--------------------|
| | Temperature | Voltage | Relative Humidity | Ambient Pressure |
| Normal Temperature, Normal Voltage (NTNV) | 20°C to 25°C | DC 5V from Adapter | 30% to 60% | 100 kPa to 102 kPa |

4.2 Test Equipment List

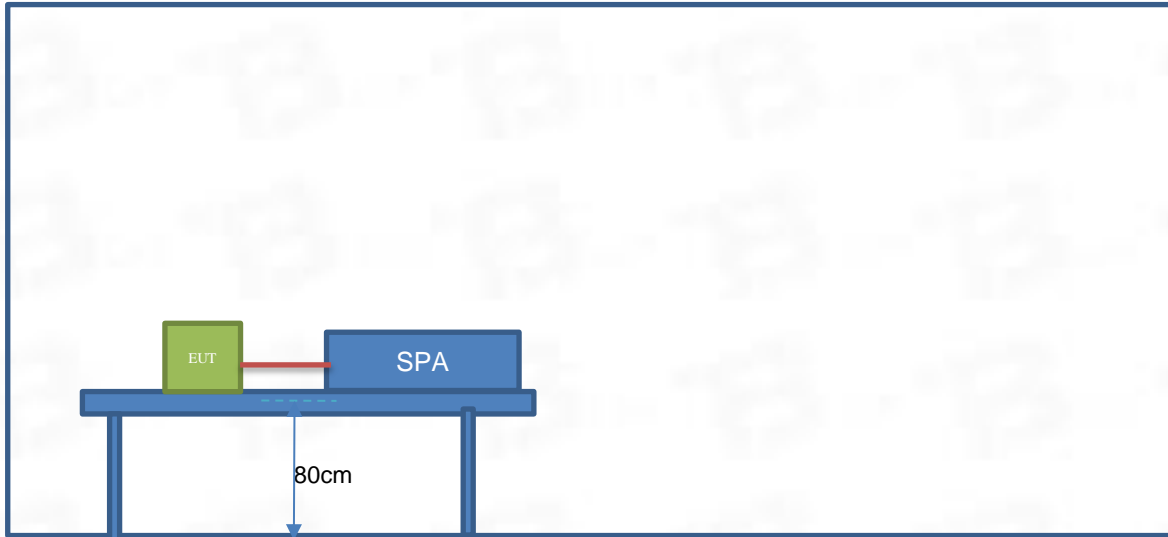
| Conducted Method Test | | | | | | |
|--|---|-----------|-------------|------------|------------|-------------------------------------|
| Description | Manufacturer | Model | Serial No. | Cal. Date | Cal. Due | Use |
| MXA Signal Analyzer | KEYSIGHT | N9020A | MY50410020 | 2022.11.24 | 2023.11.23 | <input checked="" type="checkbox"/> |
| WIDEBAND RADIO COMMUNICATION TESTER | Rohde & Schwarz | CMW500 | 161997 | 2022.11.24 | 2023.11.23 | <input checked="" type="checkbox"/> |
| Adjustable Direct Current Regulated Power Supply | Dongguan Tongmen Electronic Technology Co., LTD | etm-6050c | 20211026123 | 2022.11.24 | 2023.11.23 | <input checked="" type="checkbox"/> |
| Programmable constant temperature and humidity box | ZZCKONG | ZZ-K02A | 20210928007 | 2022.11.24 | 2023.11.23 | <input checked="" type="checkbox"/> |
| RF Sensor Unit | Techy | TR1029-2 | / | 2022.11.24 | 2023.11.23 | <input checked="" type="checkbox"/> |
| RF Control Unit | Techy | TR1029-1 | / | 2022.11.24 | 2023.11.23 | <input checked="" type="checkbox"/> |
| RFTest software | / | V1.00 | / | / | / | <input checked="" type="checkbox"/> |

4.3 Test Auxiliary Equipment

| Description | Manufacturer | Model | FCC ID | Use |
|-----------------|--------------|------------------|------------|-------------------------------------|
| Wireless AC3100 | ASUS | RT-AC88U | MSQ-RTGW00 | <input checked="" type="checkbox"/> |
| Notebook | Dell Inc. | Inspiron 13-5368 | / | <input checked="" type="checkbox"/> |

4.4 Test Setup

Test Setup 1



5. DFS TEST INFORMATION

5.1 DFS test requirement

The following table from FCC KDB905462 D02 UNII DFS Compliance procedures new rules list the applicable requirements for the DFS testing.

Table 1: Applicability of DFS Requirements Prior to Use of a Channel

| Requirement | Operational Mode | | |
|---------------------------------|------------------|--------------------------------|-----------------------------|
| | Master | Client Without Radar Detection | Client With Radar Detection |
| Non-Occupancy Period | Yes | Not required | Yes |
| DFS Detection Threshold | Yes | Not required | Yes |
| Channel Availability Check Time | Yes | Not required | Not required |
| U-NII Detection Bandwidth | Yes | Not required | Yes |

Table 2: Applicability of DFS requirements during normal operation

| Requirement | Operational Mode | |
|-----------------------------------|--|--------------------------------|
| | Master Device or Client with Radar Detection | Client Without Radar Detection |
| DFS Detection Threshold | Yes | Not required |
| Channel Closing Transmission Time | Yes | Yes |
| Channel Move Time | Yes | Yes |
| U-NII Detection Bandwidth | Yes | Not required |

| Additional requirements for devices with multiple bandwidth modes | Master Device or Client with Radar Detection | Client Without Radar Detection |
|---|--|--|
| U-NII Detection Bandwidth and Statistical Performance Check | All BW modes must be tested | Not required |
| Channel Move Time and Channel Closing Transmission Time | Test using widest BW mode available | Test using the widest BW mode available for the link |
| All other tests | Any single BW mode | Not required |

Note: Frequencies selected for statistical performance check (Section 7.8.4) should include several frequencies within the radar detection bandwidth and frequencies near the edge of the radar detection bandwidth. For 802.11 devices it is suggested to select frequencies in each of the bonded 20 MHz channels and the channel center frequency.

Master Devices

- a) The Master Device will use DFS in order to detect Radar Waveforms with received signal strength above the DFS Detection Threshold in the 5250~5350 MHz and 5470~5725 MHz bands. DFS is not required in the 5150~5250 MHz or 5725~5825 MHz bands.
- b) Before initiating a network on a Channel, the Master Device will perform a Channel Availability Check for a specified time duration (Channel Availability Check Time) to ensure that there is no radar system operating on the Channel, using DFS described under subsection a) above.
- c) The Master Device initiates a U-NII network by transmitting control signals that will enable other U-NII devices to Associate with the Master Device.
- d) During normal operation, the Master Device will monitor the Channel (In-Service Monitoring) to ensure that there is no radar system operating on the Channel, using DFS described under a).
- e) If the Master Device has detected a Radar Waveform during In-Service Monitoring as described under d), the Operating Channel of the U-NII network is no longer an Available Channel. The Master Device will instruct all associated Client Device(s) to stop transmitting on this Channel within the Channel Move Time. The transmissions during the Channel Move Time will be limited to the Channel Closing Transmission Time.
- f) Once the Master Device has detected a Radar Waveform it will not utilize the Channel for the duration of the Non-Occupancy Period.
- g) If the Master Device delegates the In-Service Monitoring to a Client Device, then the combination will be tested to the requirements described under d) through f) above.
- h)

Client Devices

- a) A Client Device will not transmit before having received appropriate control signals from a Master Device.
- b) A Client Device will stop all its transmissions whenever instructed by a Master Device to which it is associated and will meet the Channel Move Time and Channel Closing Transmission Time requirements. The Client Device will not resume any transmissions until it has again received control signals from a Master Device.
- c) If a Client Device is performing In-Service Monitoring and detects a Radar Waveform above the DFS Detection Threshold, it will inform the Master Device. This is equivalent to the Master Device detecting the Radar Waveform and d) through f) of section 5.1.1 apply.
- d) Irrespective of Client Device or Master Device detection the Channel Move Time and Channel Closing Transmission Time requirements remain the same.
- e) The client test frequency must be monitored to ensure no transmission of any type has occurred for 30 minutes. Note: If the client moves with the master, the device is considered compliant if nothing appears in the client non-occupancy period test. For devices that shut down (rather than moving channels), no beacons should appear.

Table 4: DFS Response Requirement Values

| Parameter | Value |
|--|--|
| Non-occupancy period | Minimum 30 minutes |
| Channel Availability Check Time | 60 seconds |
| Channel Move Time | 10 seconds See Note 1. |
| Channel Closing Transmission Time | 200 milliseconds + an aggregate of 60 milliseconds over remaining 10 second period. See Notes 1 and 2. |
| U-NII Detection Bandwidth | Minimum 100% of the U-NII 99% transmission power bandwidth. See Note 3. |
| <p>Note 1: Channel Move Time and the Channel Closing Transmission Time should be performed with Radar Type 0. The measurement timing begins at the end of the Radar Type 0 burst.</p> <p>Note 2: The Channel Closing Transmission Time is comprised of 200 milliseconds starting at the beginning of the Channel Move Time plus any additional intermittent control signals required facilitating a Channel move (an aggregate of 60 milliseconds) during the remainder of the 10 second period. The aggregate duration of control signals will not count quiet periods in between transmissions.</p> <p>Note 3: During the U-NII Detection Bandwidth detection test, radar type 0 should be used. For each frequency step the minimum percentage of detection is 90 percent. Measurements are performed with no data traffic.</p> | |

5.2 DFS Detection Thresholds

Table 3: DFS Detection Thresholds for Master Devices and Client Devices With Radar Detection

| Maximum Transmit Power | Value (See Notes 1, 2, and 3) |
|---|-------------------------------|
| EIRP \geq 200 milliwatt | -64 dBm |
| EIRP < 200 milliwatt and power spectral density < 10 dBm/MHz | -62 dBm |
| EIRP < 200 milliwatt that do not meet the power spectral density requirement | -64 dBm |

Note 1: This is the level at the input of the receiver assuming a 0 dBi receive antenna.

Note 2: Throughout these test procedures an additional 1 dB has been added to the amplitude of the test transmission waveforms to account for variations in measurement equipment. This will ensure that the test signal is at or above the detection threshold level to trigger a DFS response.

Note3: EIRP is based on the highest antenna gain. For MIMO devices refer to KDB Publication 662911 D01.

5.3 Radar Test Waveforms

This section provides the parameters for required test waveforms, minimum percentage of successful detections, and the minimum number of trials that must be used for determining DFS conformance. Step intervals of 0.1 microsecond for Pulse Width, 1 microsecond for PRI, 1 MHz for chirp width and 1 for the number of pulses will be utilized for the random determination of specific test waveforms.

Table 5 Short Pulse Radar Test Waveforms

| Radar Type | Pulse Width (μsec) | PRI (μsec) | Number of Pulses | Minimum Percentage of Successful Detection | Minimum Number of Trials |
|--|--------------------|---|---|--|--------------------------|
| 0 | 1 | 1428 | 18 | See Note 1 | See Note 1 |
| 1 | 1 | Test A: 15 unique PRI values randomly selected from the list of 23 PRI values in Table 5a | Roundup $\left\{ \left(\frac{1}{360} \right) \cdot \left(\frac{19 \cdot 10^6}{\text{PRI}_{\mu\text{sec}}} \right) \right\}$ | 60% | 30 |
| | | Test B: 15 unique PRI values randomly selected within the range of 518-3066 μsec, with a minimum increment of 1 μsec, excluding PRI values selected in Test A | | | |
| 2 | 1-5 | 150-230 | 23-29 | 60% | 30 |
| 3 | 6-10 | 200-500 | 16-18 | 60% | 30 |
| 4 | 11-20 | 200-500 | 12-16 | 60% | 30 |
| Aggregate (Radar Types 1-4) | | | | 80% | 120 |
| Note 1: Short Pulse Radar Type 0 should be used for the detection bandwidth test, channel move time, and channel closing time tests. | | | | | |

A minimum of 30 unique waveforms are required for each of the Short Pulse Radar Types 2 through 4. If more than 30 waveforms are used for Short Pulse Radar Types 2 through 4, then each additional waveform must also be unique and not repeated from the previous waveforms. If more than 30 waveforms are used for Short Pulse Radar Type 1, then each additional waveform is generated with Test B and must also be unique and not repeated from the previous waveforms in Tests A or B.

For example if in Short Pulse Radar Type 1 Test B a PRI of 3066 μsec is selected, the number of pulses would be Round up

$$\left\{ \left(\frac{1}{360} \right) \cdot \left(\frac{19 \cdot 10^6}{3066} \right) \right\} = \text{Round up } \{17.2\} = 18.$$

Table 5a - Pulse Repetition Intervals Values for Test A

| Pulse Repetition Frequency Number | Pulse Repetition Frequency (Pulses Per Second) | Pulse Repetition Interval (Microseconds) |
|-----------------------------------|--|--|
| 1 | 1930.5 | 518 |
| 2 | 1858.7 | 538 |
| 3 | 1792.1 | 558 |
| 4 | 1730.1 | 578 |
| 5 | 1672.2 | 598 |
| 6 | 1618.1 | 618 |
| 7 | 1567.4 | 638 |
| 8 | 1519.8 | 658 |
| 9 | 1474.9 | 678 |
| 10 | 1432.7 | 698 |
| 11 | 1392.8 | 718 |
| 12 | 1355 | 738 |
| 13 | 1319.3 | 758 |
| 14 | 1285.3 | 778 |
| 15 | 1253.1 | 798 |
| 16 | 1222.5 | 818 |
| 17 | 1193.3 | 838 |
| 18 | 1165.6 | 858 |
| 19 | 1139 | 878 |
| 20 | 1113.6 | 898 |
| 21 | 1089.3 | 918 |
| 22 | 1066.1 | 938 |
| 23 | 326.2 | 3066 |

Table 6 – Long Pulse Radar Test Waveform

| Radar Type | Pulse Width (µsec) | Chirp Width (MHz) | PRI (µsec) | Number of Pulses per Burst | Number of Bursts | Minimum Percentage of Successful Detection | Minimum Number of Trials |
|------------|--------------------|-------------------|------------|----------------------------|------------------|--|--------------------------|
| 5 | 50-100 | 5-20 | 1000-2000 | 1-3 | 8-20 | 80% | 30 |

The parameters for this waveforms are randomly chosen. Thirty unique waveforms are required for the Long Pulse Radar Type waveforms. If more than 30 waveforms are used for the Long Pulse Radar Type wave forms, then each additional waveform must also be unique and not repeated from the previous waveforms.

Table 7 – Frequency Hopping Radar Test Waveform

| Radar Type | Pulse Width (μsec) | PRI (μsec) | Pulses per Hop | Hopping Rate (kHz) | Hopping Sequence Length (msec) | Minimum Percentage of Successful Detection | Minimum Number of Trials |
|------------|--------------------|------------|----------------|--------------------|--------------------------------|--|--------------------------|
| 6 | 1 | 333 | 9 | 0.333 | 300 | 70% | 30 |

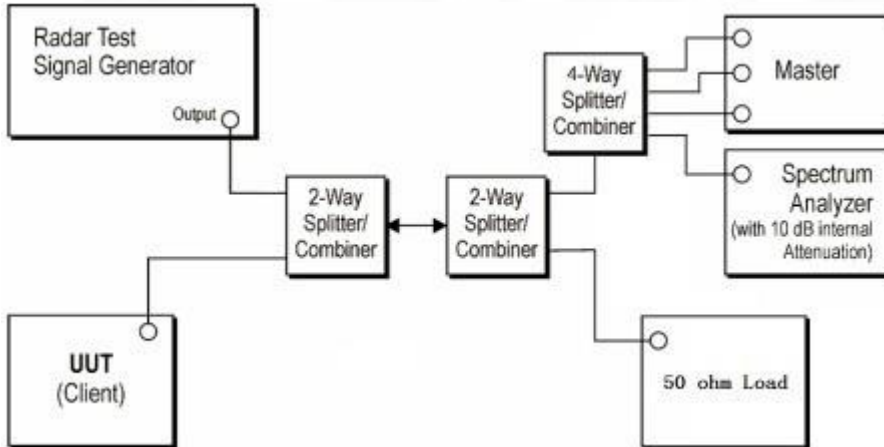
For the Frequency Hopping Radar Type, the same Burst parameters are used for each wave form. The hopping sequence is different for each wave form and a 100-length segment is selected from the hopping sequence defined by the following algorithm:

The first frequency in a hopping sequence is selected randomly from the group of 475 integer frequencies from 5250–5724MHz. Next, the frequency that was just chosen is removed from the group and a frequency is randomly selected from the remaining 474 frequencies in the group. This process continues until all 475 frequencies are chosen for the set. For selection of a random frequency, the frequencies remaining within the group are always treated as equally likely.

6. Test Item

6.1 Calibration of Radar Waveform

6.1.1 TEST CONFIGURATION



6.1.2 Test Procedure

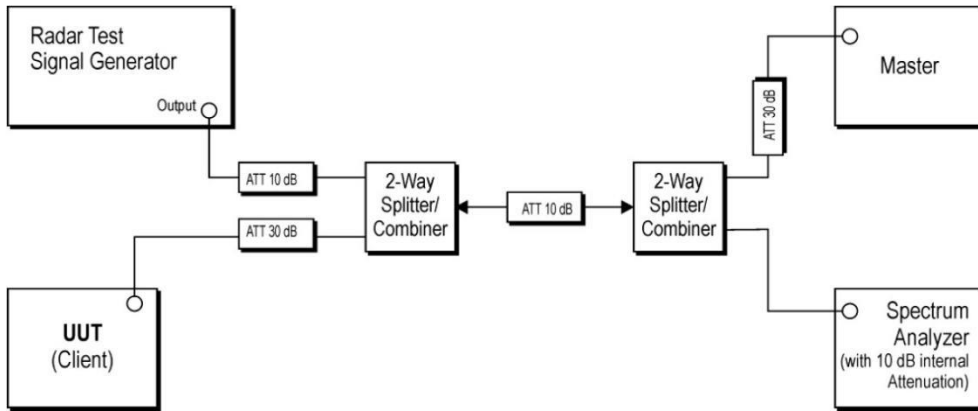
- A 50 ohm load is connected in place of the spectrum analyzer, and the spectrum analyzer is connected to place of the master
- The interference Radar Detection Threshold Level is $-62\text{dBm} + 0\text{dBi} + 1\text{dB} = -61\text{dBm}$ that had been taken into account the output power range and antenna gain.
- The following equipment setup was used to calibrate the conducted radar waveform. A vector signal generator was utilized to establish the test signal level for radar type 0. During this process there were no transmissions by either the master or client device. The spectrum analyzer was switched to the zero spans (time domain) at the frequency of the radar waveform generator. Peak detection was used. The spectrum analyzer resolution bandwidth (RBW) and video bandwidth (VBW) were set to 3MHz. The spectrum analyzer had offset -1.0dB to compensate RF cable loss 1.0dB .
- The vector signal generator amplitude was set so that the power level measured at the spectrum analyzer was $-62\text{dBm} + 0\text{dBi} + 1\text{dB} = -61\text{dBm}$. Capture the spectrum analyzer plots on short pulse radar waveform.

6.1.3 Test Result

Please refer to ANNEX A.1

6.2 Channel Move Time, Channel Closing Transmission Time

6.2.1 TEST CONFIGURATION



6.2.2 Test Procedure

- a) The radar pulse generator is setup to provide a pulse at frequency that the master and client are operating. A type 0 radar pulse with a 1us pulse width and a 1428us PRI is used for the testing.
- b) The vector signal generator is adjusted to provide the radar burst (18 pulses) at the level of approximately -61dBm at the antenna port of the master device.
- c) A trigger is provided from the pulse generator to the DFS monitoring system in order to capture the traffic and the occurrence of the radar pulse.
- d) EUT will associate with the master at channel. The file "iperf.exe" specified by the FCC is streamed from the PC 2 through the master and the client device to the PC 1 and played in full motion video using Media Player Classic Ver. 6.4.8.6 in order to properly load the network for the entire period of the test.
- e) When radar burst with a level equal to the DFS Detection Threshold +1dB is generated on the operating channel of the U-NII device. At time T0 the radar waveform generator sends a burst of pulse of the radar waveform at Detection Threshold +1dB.
- f) Observe the transmissions of the EUT at the end of the radar Burst on the Operating Channel Measure and record the transmissions from the UUT during the observation time (Channel Move Time). One 15 seconds plot is reported for the Short Pulse Radar Type 0. The plot for the Short Pulse Radar Types start at the end of the radar burst. The Channel Move Time will be calculated based on the zoom in 600ms plot of the Short Pulse Radar Type
- g) Measurement of the aggregate duration of the Channel Closed Transmission Time method. With the spectrum analyzer set to zero span tuned to the center frequency of the EUT operating channel at the radar simulated

frequency, peak detection, and max hold, the dwell time per bin is given by: $Dwell (0.3ms) = S (12000ms) / B (4000)$; where Dwell is the dwell time per spectrum analyzer sampling bin, S is sweep time and B is the number of spectrum analyzer sampling bins. An upper bound of the aggregate duration of the intermittent control signals of Channel Closing Transmission Time is calculated by: $C (ms) = N \times Dwell (0.3ms)$; where C is the Closing Time, N is the number of spectrum analyzer sampling bins (intermittent control signals) showing a U-NII transmission and Dwell is the dwell time per bin.

- h) Measurement the EUT for more than 30 minutes following the channel move time to verify that no transmission or beacons occur on this channel.

6.2.3 Test Result

Please refer to ANNEX A.2

ANNEX A Test Results

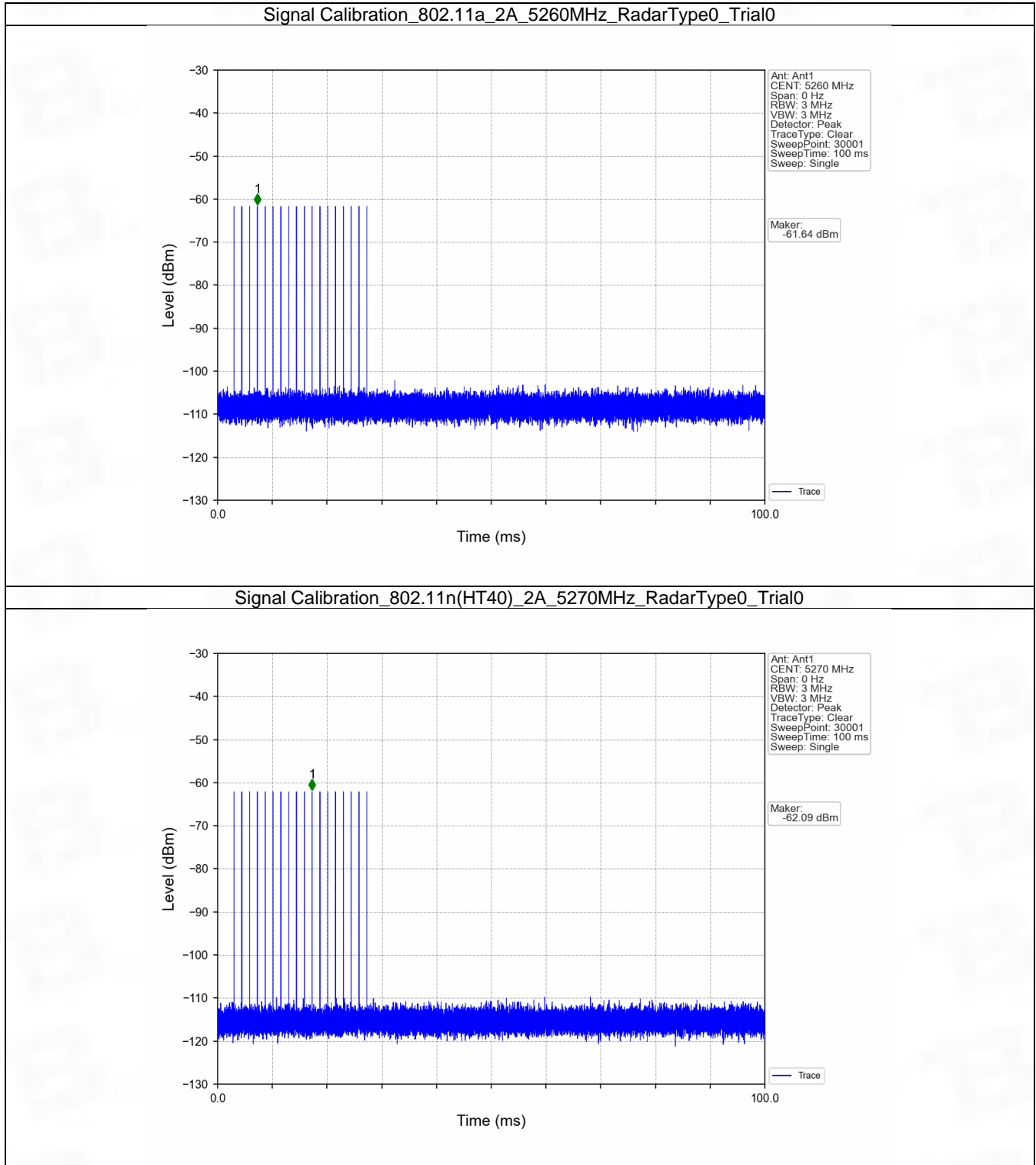
1. Signal Calibration

1.1 SC

1.1.1 Test Result

| Band: 2A | | | | | | | |
|----------------|-----------------|-----------------|--------------|----------|---------------------|-------|---------|
| Mode | Bandwidth (MHz) | Frequency (MHz) | Radar Signal | | Signal Calibration | | Verdict |
| | | | Type | Trial Id | Result | Limit | |
| 802.11a | 20 | 5260 | 0 | 0 | Refer To Test Graph | | Pass |
| 802.11n (HT40) | 40 | 5270 | 0 | 0 | Refer To Test Graph | | Pass |

1.1.2 Test Graph



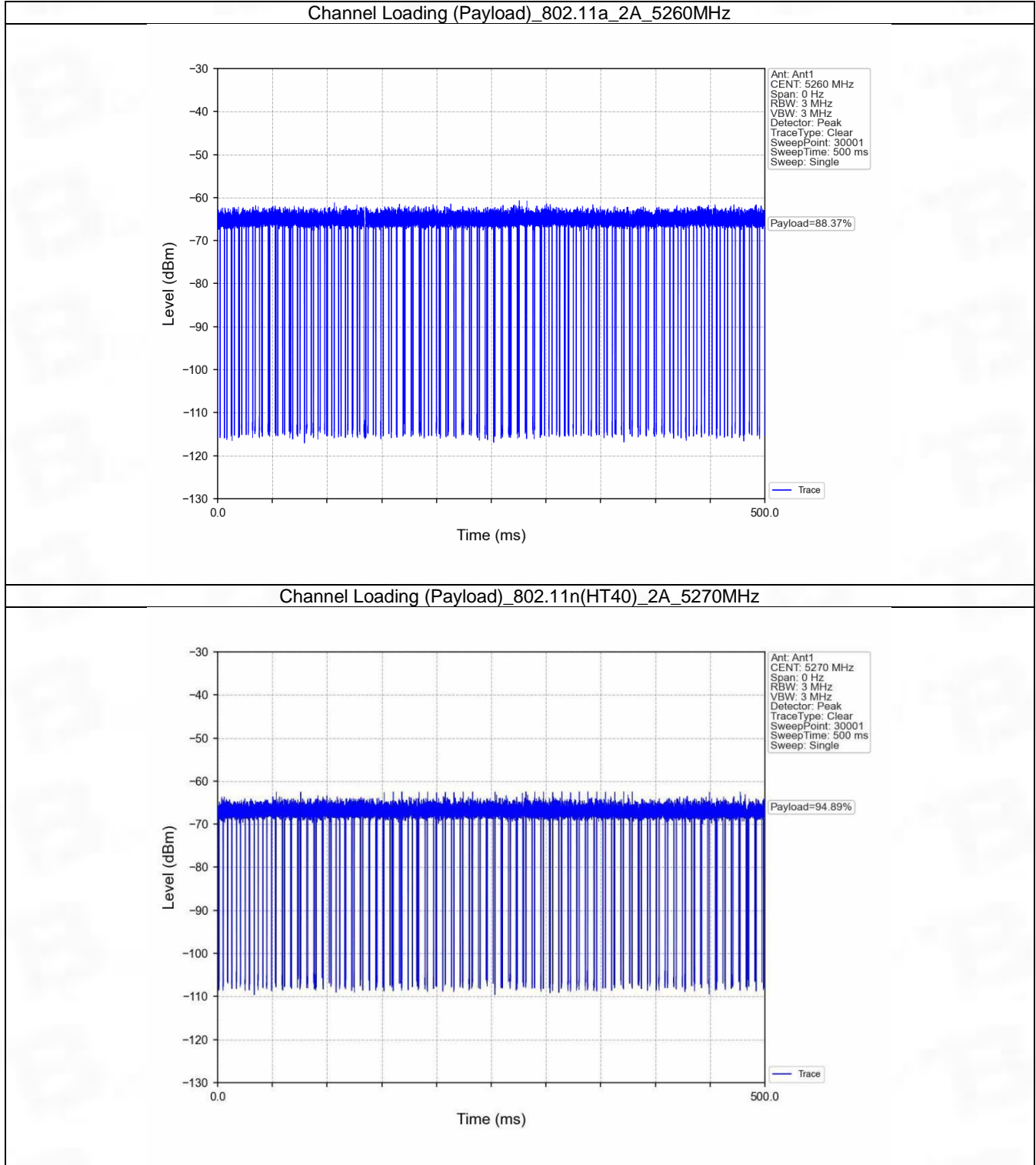
2. Channel Loading (Payload)

2.1 Payload

2.1.1 Test Result

| Band: 2 | | | | | |
|----------------|-----------------|-----------------|-------------------------------|-----------|---------|
| Mode | Bandwidth (MHz) | Frequency (MHz) | Channel Loading (Payload) (%) | | Verdict |
| | | | Result | Limit | |
| 802.11a | 20 | 5260 | 88.37 | ≥ 30 | Pass |
| 802.11n (HT40) | 40 | 5270 | 94.89 | ≥ 30 | Pass |

2.1.2 Test Graph



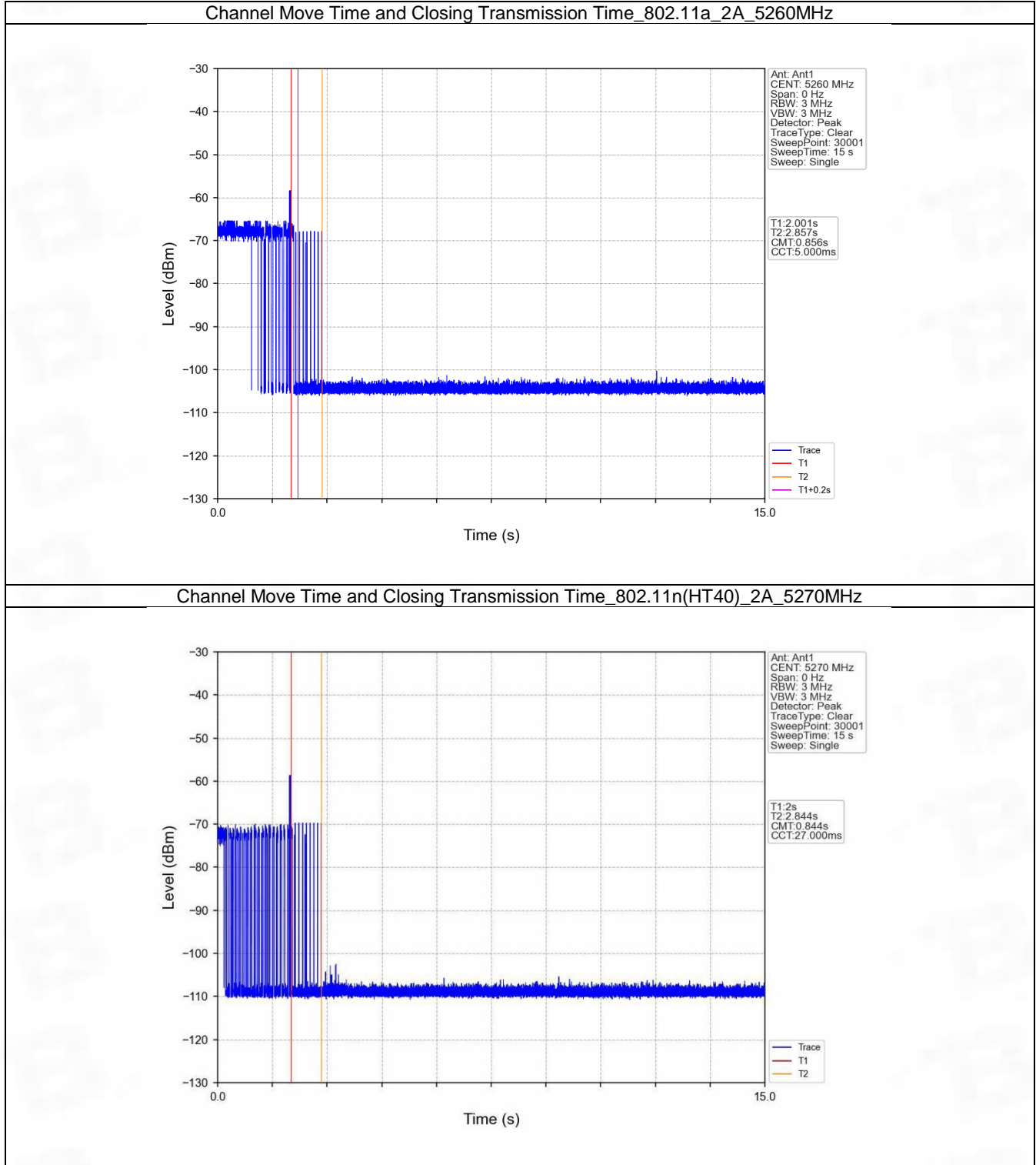
3. Channel Move Time and Closing Transmission Time

3.1 CMT_CTT

3.1.1 Test Result

| Band: 2A | | | | | |
|----------------|-----------------|-----------------|---|-------|---------|
| Mode | Bandwidth (MHz) | Frequency (MHz) | Channel Move Time and Closing Transmission Time | | Verdict |
| | | | Result | Limit | |
| 802.11a | 20 | 5260 | Refer To Test Graph | | Pass |
| 802.11n (HT40) | 40 | 5270 | Refer To Test Graph | | Pass |

3.1.2 Test Graph

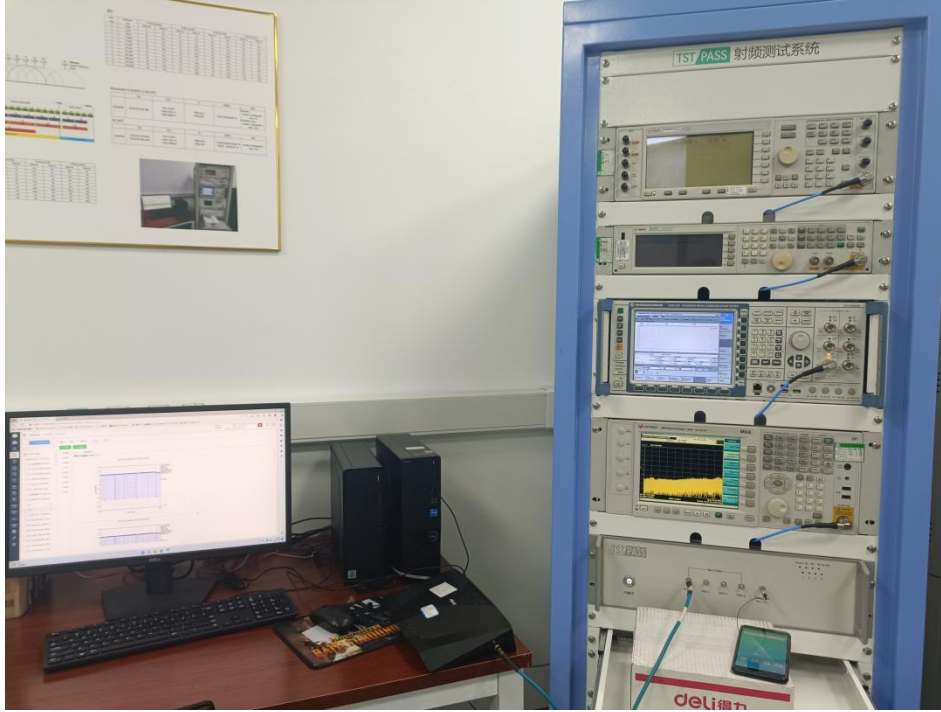


4. The time for slave and master complete its power-on cycle

The time for EUT to complete its power-on cycle is 0.76 S.

The time for AP to complete its power-on cycle is 169.9 S.

ANNEX B TEST SETUP PHOTOS





ANNEX C EUT EXTERNAL PHOTOS

Please refer to Report BTF230810R00501

ANNEX D EUT INTERNAL PHOTOS

Please refer to Report BTF230810R00501



Test Report Number: BTF230810R00505



BTF Testing Lab (Shenzhen) Co., Ltd.

F101, 201 and 301, Building 1, Block 2, Tantou Industrial Park, Tantou Community, Songgang Street,
Bao'an District, Shenzhen, China

www.btf-lab.com

--END OF REPORT--