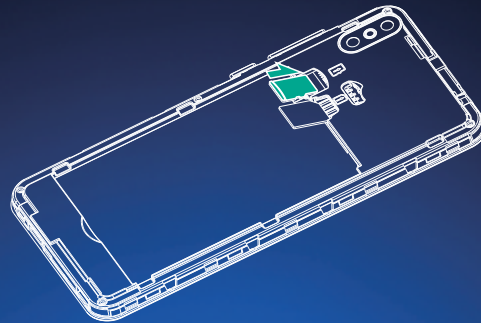


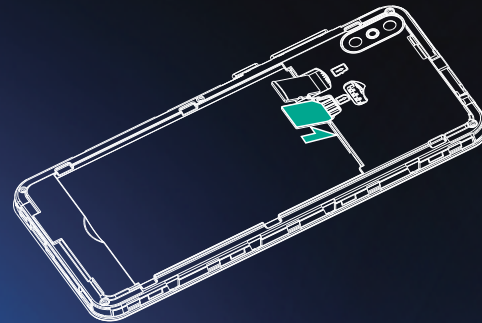
EN Remove battery cover

1



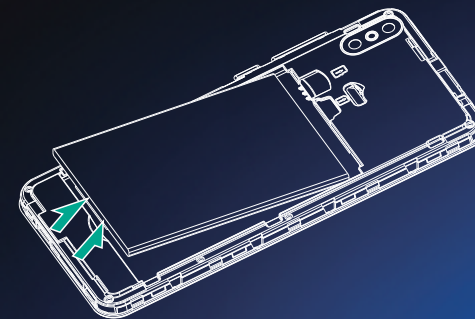
EN Insert memory card

2



EN Insert SIM card(s)

3



EN Insert battery

4



EN Insert USB cable and charge for 3 hours

5

FCC Warning

15.19 Labeling requirements.
This device complies with part 15 of the FCC Rules. Operation is subject to the following two conditions: (1) This device may not cause harmful interference, and (2) this device must accept any interference received, including interference that may cause undesired operation.

15.21 Information to user.
Any Changes or modifications not expressly approved by the party responsible for compliance could void the user's authority to operate the equipment.

15.105 Information to the user.
Note: This equipment has been tested and found to comply with the limits for a Class B digital device, pursuant to part 15 of the FCC Rules. These limits are designed to provide reasonable protection against harmful interference in a residential installation. This equipment generates uses and can radiate radio frequency energy and, if not installed and used in accordance with the instructions, may cause harmful interference to radio communications. However, there is no guarantee that interference will not occur in a particular installation. If this equipment does cause harmful interference to radio or television reception, which can be determined by turning the equipment off and on, the user is encouraged to try to correct the interference by one or more of the following measures:

- Reorient or relocate the receiving antenna.
- Increase the separation between the equipment and receiver.
- Connect the equipment into an outlet on a circuit different from that to which the receiver is connected.
- Consult the dealer or an experienced radio/TV technician for help.

Absorption Rate (SAR) information:

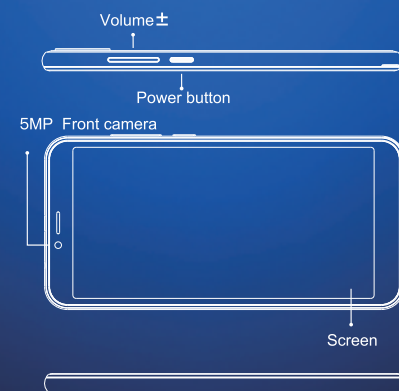
This device meets the government's requirements for exposure to radio waves. The guidelines are based on standards that were developed by independent scientific organizations through periodic and thorough evaluation of scientific studies. The standards include a substantial safety margin designed to assure the safety of all persons regardless of age or health.

FCC RF Exposure Information and Statement

The SAR limit of USA (FCC) is 1.6 W/kg averaged over one gram of tissue. This device was tested for typical body-worn operations with the back of the device kept 10mm from the body. To maintain compliance with FCC RF exposure requirements, use accessories that maintain an appropriate separation distance between the user's body and the back of the device. The use of belt clips, holsters and similar accessories should not contain metallic components in its assembly. The use of accessories that do not satisfy these requirements may not comply with FCC RF exposure requirements, and should be avoided. Use only the supplied or an approved antenna.



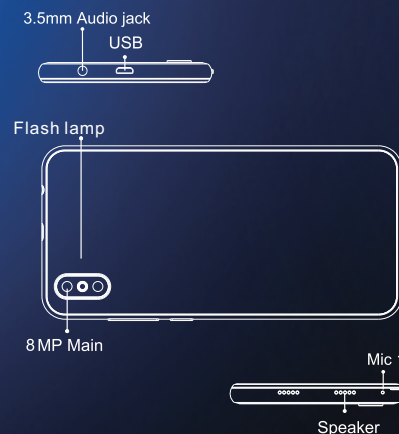
PRODUCT HEX-VISION IMAGE



VOLUME BUTTON: Short press to adjust the volume or to mute incoming calls.

6

PRODUCT HEX-VISION IMAGE



7

SPECIFICATIONS

BASIC INFORMATION

Model: HD60i
Operating System: Powered by Android™ 13 Go
CPU: 4xA53 1.5GHz MTK6739
RAM: 2GB
ROM: 32GB
Battery: 2800mAh

Display

Screen Size: 6.0" IPS SCREEN
Resolution: 480*960 Pixels
Touch: Capacitive multi-touch

Cameras

Front	Camera	5MP	Camera
Rear	Camera	8MP	Camera

Connection (I/O)

Band: GSM: 850/900/1800/1900
WCDMA: B2/4/5
LTE: B2/4/5/12/13/25/26/41/66/71

SIM/TF card: 1 Micro SIM Card and 1 TF Card
WiFi: IEEE802.11 a/b/g/n/
Bluetooth: Bluetooth 4.0

GNSS: GPS
FM: YES
Earphone Port: 3.5mm
USB Port: Type-Micro USB

Other Features

Video File Format: 3GP/MPEG4, etc.
Audio File Format: WAV/MIP3/AAC/AMR/MIDI/APE/WMA, etc.
Card: Support TF card up to 64 GB
Language Support: Multi-language
Sensor: G-Sensor

In the box

- 1*Phone
- 1*USB-Micro Cable
- 1*Power Adapter
- 1*Quick Start Guide
- 1*Protective case
- 1*Battery

8

Safety Statement

Pour un fonctionnement porté sur le corps, ce modèle de téléphone a été testé et répond aux directives d'exposition RF FCC/ISED lorsque'il est utilisé avec un accessoire conçu pour ce produit ou lorsqu'il est utilisé avec un accessoire qui ne contient pas de métal et qui positionne le combiné à au moins 10 mm du corps. Le non-respect des restrictions ci-dessus peut entraîner une violation des directives d'exposition aux RF.

For body-worn operation, this device has been tested and meets the FCC/ISED RF exposure guidelines when used with a leather case. The users must use this leather case. Use of other leather case may not ensure compliance with FCC/ISED RF exposure guidelines.

Pour un fonctionnement porté sur le corps, cet appareil a été testé et répond aux directives d'exposition RF FCC/ISED lorsque'il est utilisé avec un étui en cuir. Les utilisateurs doivent utiliser cet étui en cuir. L'utilisation d'un autre étui en cuir peut ne pas garantir la conformité aux directives d'exposition aux RF de la FCC/ISED.



BE	BG	CZ	DK	DE	EE	IE	EL
ES	FR	HR	IT	CY	LV	LT	LU
HU	MT	NL	AT	PL	PT	RO	SI
SK	FI	SE	NO	IS	LI	CH	TR

In all EU member states, operation of 5150-5250 MHz is restricted to indoor use only.

Made in China



Vortex HD60i