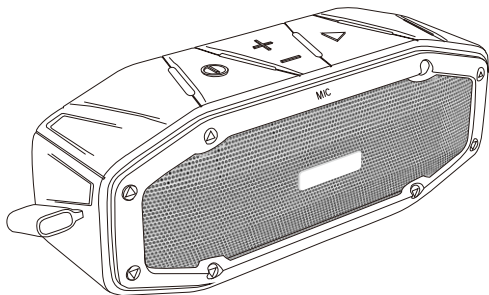


EBS-503

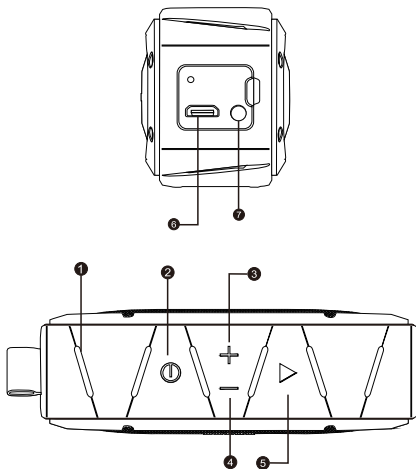
Bluetooth Speaker

Bluetooth Speaker



EN Operating Instructions

Thanks for purchasing our Bluetooth Speaker. This manual will give you better use of our Bluetooth speakers. Please carefully understand the Bluetooth function of your playback device before using our Bluetooth speakers.



All buttons introduction:

- ❶ Indicator light
- ❷ Power button: ON/OFF.
- ❸ Vol+/ Next track: short press for next track, long press for Volume up
- ❹ Vol-/ Previous track: short press for previous track, long press for Volume down
- ❺ Play/Pause/Answer (when call in)
- ❻ Micro USB charging port
- ❼ Line in: 3.5mm line in jack

How to use this speaker:

Connecting the Bluetooth device:

1. Enter Bluetooth status automatically after long pressing the "Power" button, the blue indicator light of speaker blinks quickly.
2. Turn on the Bluetooth of your mobile phone or other Bluetooth devices, search for "EBS-503" on your device's Bluetooth list and then pair it (please input "1234" or "0000" if the device requires you to input a pairing code), the indicator light of speaker blinks slowly after pairing successfully.

3. You can short press the Play/Pause button to play or pause the music. Long press "+" for volume up or "-" for volume down. Short press "+" or "-" for next or previous track

4. Long press "Play/Pause" button to disconnect the speaker from the current device and reset it into pairing mode.

Hands free talking

This speaker built in microphone inside, therefore, you may use it to answer telephone call as a hands-free device

1. When the speaker is playing music via Bluetooth, the music will pause and you will hear the ringtone in case of any incoming call, you can short press the "Play/Pause" button to answer the call via built-in MIC, or you may select to answer the call via your mobile phone.

2. You may long press the "Play/pause" button to decline an incoming call if you don't want to answer the call.

Line-in mode:

If you want play music from the device or mp3 player which doesn't have Bluetooth function, you could use the attached line in cable to connect the speaker with the device.

1. Turn on the speaker, insert the 3.5mm plug into the line in jack of the speaker, and insert another 3.5mm plug into the device.

2.The speaker will change to “Line in” Mode automatically .
Note: you may not use volume +/- button of the speaker to control the volume at this mode.

Charging:

Connect the USB cable to an USB power adapter or an USB port of the computer, and then plug the micro USB into the micro USB port of the speaker. While charging, the indicator light is always in red. When it is full charged, the indicator red light turns off.

Water-resistance and Rugged design:

This speaker is designed with IPX4 waterproof standard. It is rain, splash, and shower-resistant, but it doesn't mean it could work under water. Please do not submerge it in liquids at any time. It may be damaged by that way.

NOTE: This equipment has been tested and found to comply with the limits for a Class B digital device, pursuant to part 15 of the FCC Rules. These limits are designed to provide reasonable protection against harmful interference in a residential installation. This equipment generates uses and can radiate radio frequency energy and, if not installed and used in accordance with the instructions, may cause harmful interference to radio communications. However, there is no guarantee that interference will not occur in a particular installation. If this equipment does cause harmful interference to radio or television reception, which can be determined by turning the equipment off and on, the user is encouraged to try to correct the interference by one or more of the following measures:

- Reorient or relocate the receiving antenna.
- Increase the separation between the equipment and receiver.
- Connect the equipment into an outlet on a circuit different from that to which the receiver is connected.
- Consult the dealer or an experienced radio/TV technician for help

Changes or modifications not expressly approved by the party responsible for compliance could void the user's authority to operate the equipment.

This device complies with Part 15 of the FCC Rules. Operation is subject to the following two conditions:

- (1) this device may not cause harmful interference, and
- (2) this device must accept any interference received, including interference that may cause undesired operation.