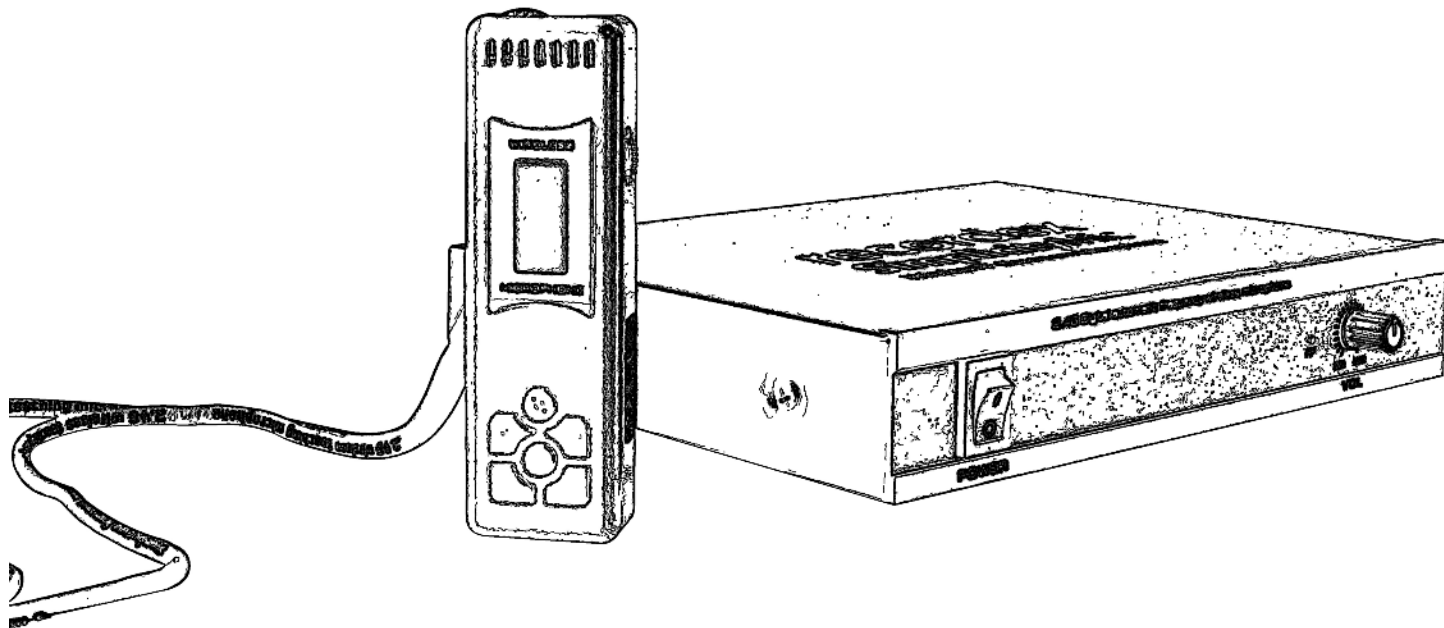


**SimplicityMic**  
Wireless RF Classroom Microphone

**recordex**<sup>TM</sup>



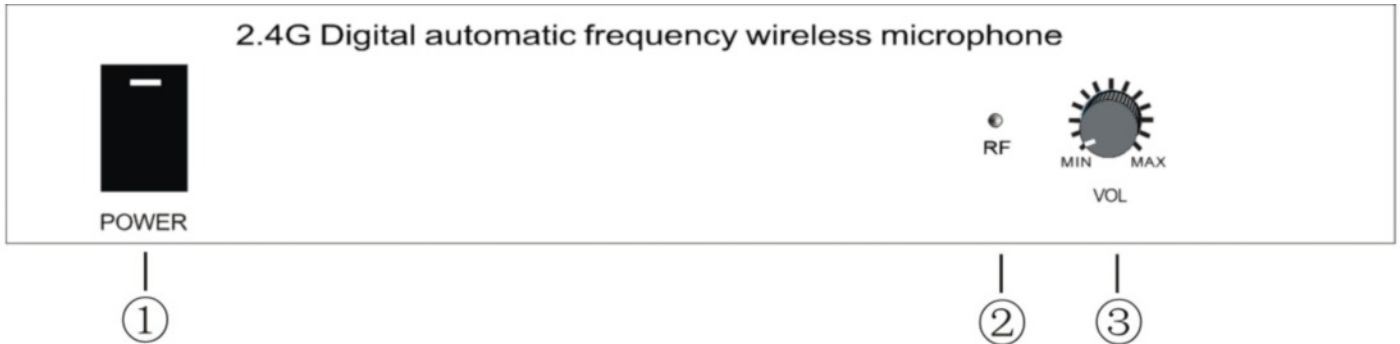
# USER GUIDE

MODEL: ST-MIC-RF-R (Receiver)

[www.recordexusa.com](http://www.recordexusa.com)

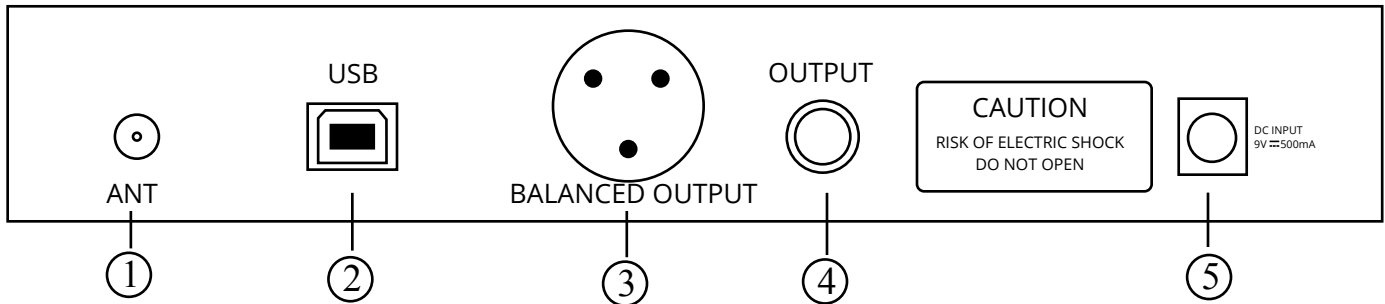
## Front of Receiver

- (1) Power Switch
- (2) Connection Indicator Light (Flashing=Waiting to Pair; Steady=Paired Successfully)
- (3) Volume Control



## Back of Receiver

- (1) Antenna Connector
- (2) Optional USB Connection to Computer
- (3) Balanced Output (Male XLR)
- (4) Unbalanced Output (Female 1/4" Audio)
- (5) Power port (DC 9V 500mA)



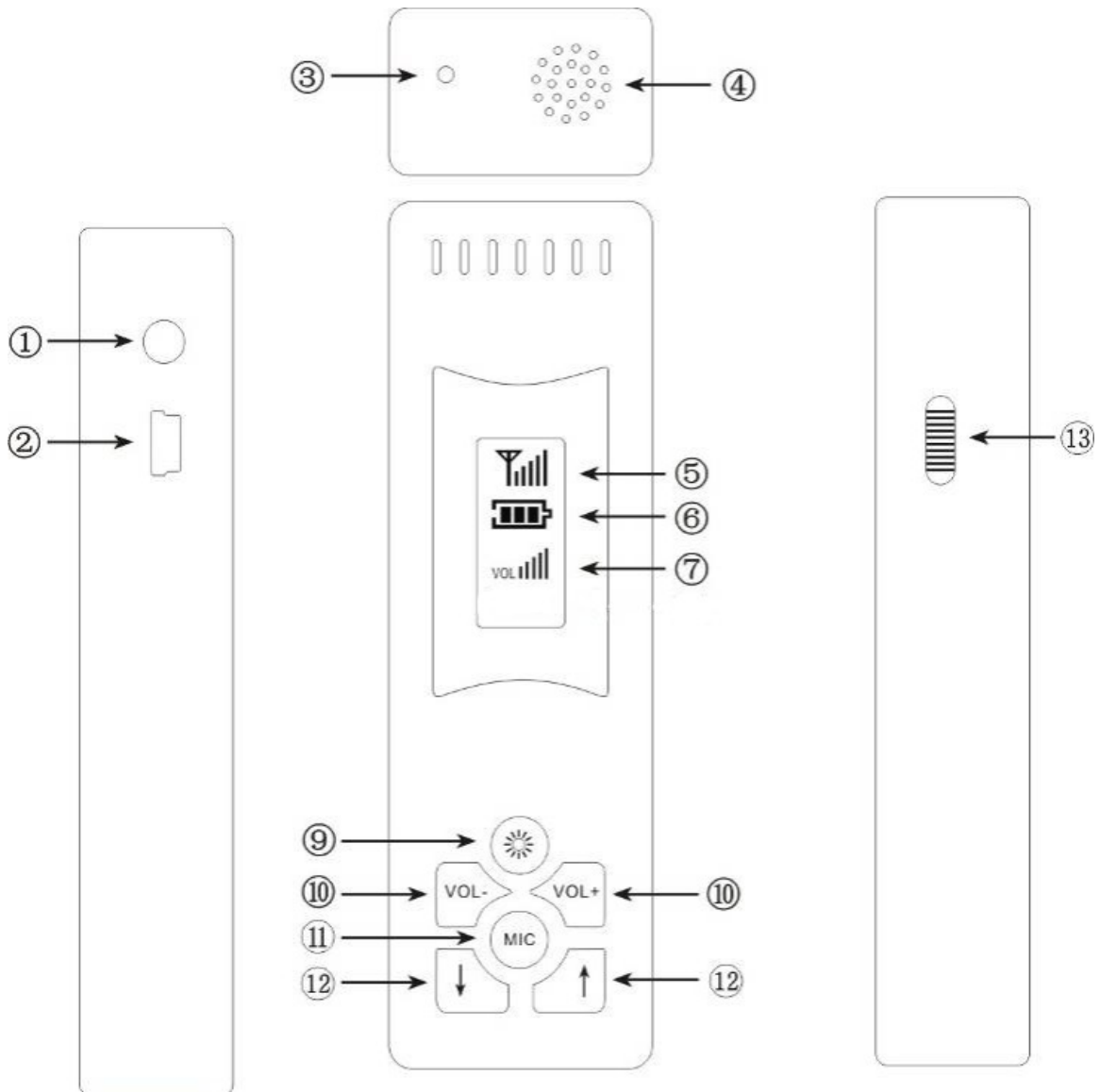
## RF Antenna

- (1) Antenna

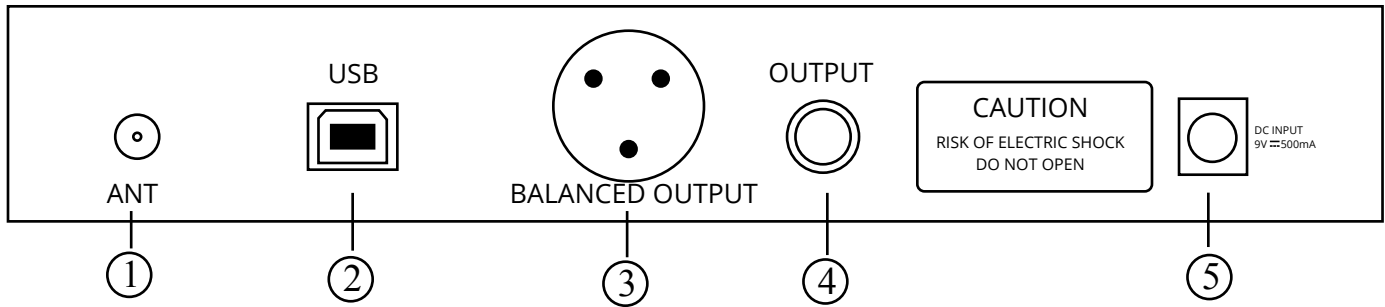


# Microphone Transmitter

- (1) Lavalier Mic Connection (1/8" Audio)
- (2) USB Mini Connector for Charging Mic Battery
- (3) Service Port
- (4) Mic Pickup/Receiving Window
- (5) Pair Status Indicator (Flashing=Waiting to Pair; Steady=Successfully Paired)
- (6) Battery Level Indicator (Flashing=Charging; Steady=Using Battery Power)
- (7) Volume Level Indicator
- (8) N/A
- (9) Back Light Button (press to illuminate LCD display)
- (10) Volume Control Buttons
- (11) Mute Button (When muted display LCD will flash to indicate mute is on)
- (12) Page Up/Down Button (Optional see page 4)
- (13) On/Off Switch



## Making Connections



Connect the supplied antenna to ANT port (1) on the receiver. Then plug the receiver into your amplifier/receiver/or TV mic input using either the Balanced (3) or unbalanced (4) output. Finally plug power adapter into power port and plug adapter into wall.

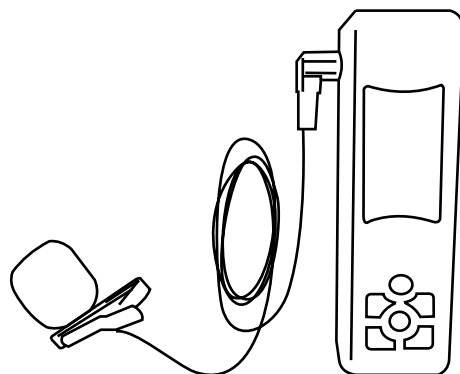
CAUTION: USE ONLY THE POWER ADAPTER SUPPLIED WITH THE ST-MIC-RF

### Optional Use of USB Connection

By connecting the Mic Receiver with a USB cable to your Windows computer you are able to advance Microsoft PowerPoint slides forward and backward using the Page Up/Page Down button on the Microphone Transmitter. Pressing the Page Down will move to next slide. Pressing Page Up will move to previous slide. Windows will install drivers automatically.

### Using the Lavalier Mic

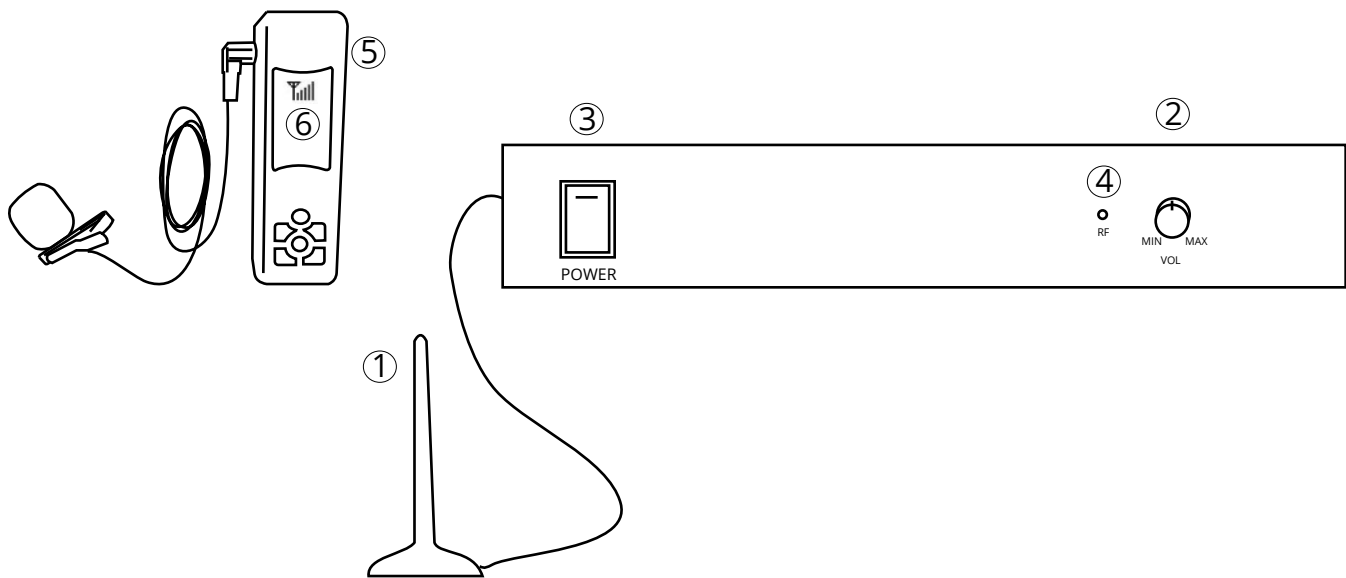
Connecting the lavalier mic to the Mic transmitter will greatly improve the quality of the sound coming from the mic. It will also reduce background noise. Plug the lavalier microphone into the mic input jack on the mic transmitter.



## Pairing Mic Transmitter to Receiver

- (1) Make sure antenna is connected to receiver.
- (2) Set receiver volume to min (after mic is paired you can adjust the volume to desired level; if you've already paired the mic before and you have determined the best volume level then you can skip step 2)
- (3) Power on the receiver
- (4) Note that RF light on receiver is blinking blue indicating that mic is not yet paired. After pairing the mic the indicator light will change to steady blue.
- (5) Position mic transmitter within 2-3 feet of the antenna and turn on the mic transmitter. IMPORTANT: Mic must be within 2-3 feet of the antenna during the pairing process. This avoids accidental pairing with neighboring classrooms.
- (6) Check the connection indicator on the transmitter. It should be steady (not blinking) also the RF indicator light on the receiver should be steady blue (not blinking)

Congratulations your mic is now paired with the receiver.



## Setting Volume Levels

For best results you want to set the volume levels on the receiver, mic transmitter, and your amplifier so that when the user set's the microphone transmitter volume to max there is no feedback. To do this set the mic transmitter volume to max, then set the receiver volume to a low setting, then set the final destination volume (your amplifier/computer, etc) to the level you typically would use, then at a typical max volume. Then adjust the receiver volume up until you get the amplification volume you desire without feedback. If you experience feedback turn down one of the volume settings. NOTE: If you are getting feedback you can mute or turn off the mic to immediately stop the feedback, then work on adjusting volume control.

## Troubleshooting Tips

- (1) If you can not pair the mic to the receiver then you may not be close enough to the receiver. You need to be about 2-3 feet from the receiver or the antenna in order to pair the mic to the receiver.
- (2) There is a 5 second reset period after disconnecting mic before you can re-pair it to the receiver.
- (3) When the battery indicator shows empty (no bars remaining) then there is less than two hours of use remaining. Please charge as soon as possible.
- (4) Any usb charger will work to charge the mic transmitter as long as you are using a mini usb connector.
- (5) When battery is charging the battery indicator will blink. When battery is full the indicator light will stop blinking and stay on steady.

For additional support contact [support@recordexusa.com](mailto:support@recordexusa.com).

## Specifications

	Receiver	Transmitter (Mic)
<b>Frequency Range</b>	2405-2480 MHz	
<b>Frequency Response</b>	50Hz-12KHz	
<b>Modulation Mode</b>	O-QPSK	
<b>Connection Mode</b>	ID Code, Automatic connect & lock	
<b>Transmit Mode</b>	2.4GHz zigbee	
<b>Sensitivity</b>	-82dBm (1%BER)	
<b>Signal-to-noise Ratio</b>	≥110dB	
<b>Harmonic Distortion</b>	≤0.5%	
<b>Audio Output</b>	Balanced and unbalanced output	N/A
<b>Power</b>	DC 9V 500mA	3.7 V 1300mAH Rechargeable Lithium Ion Battery
<b>Transmit Capacity</b>	N/A	8mW
<b>Time to Make Connection</b>	N/A	<5 seconds
<b>Battery Life</b>	N/A	>20 hours continuous use
<b>Working Range</b>	N/A	≥ 30 meters open space
<b>Weight &amp; Dimensions</b>	1.6 lbs, 8.25 W x 6 D x 1.75 H inches	2.5 ounces, 4.25 x .75 x 1.25 inches
<b>Included in Box</b>	(1) Receiver, (1) RF Mic, (1) Lanyard, (1) Antenna, (1) power adapter, (1) stereo cable (1/4" male to 1/8" male), (1) USB charging cable.	

## **FCC STATEMENT**

1. This device complies with Part 15 of the FCC Rules. Operation is subject to the following two conditions:

- (1) This device may not cause harmful interference, and
- (2) This device must accept any interference received, including interference that may cause undesired operation.

2. Changes or modifications not expressly approved by the party responsible for compliance could void the user's authority to operate the equipment.

This equipment has been tested and found to comply with the limits for a Class B digital device, pursuant to part 15 of the FCC Rules. These limits are designed to provide reasonable protection against harmful interference in a residential installation. This equipment generates, uses and can radiate radio frequency energy and, if not installed and used in accordance with the instructions, may cause harmful interference to radio communications. However, there is no guarantee that interference will not occur in a particular installation. If this equipment does cause harmful interference to radio or television reception, which can be determined by turning the equipment off and on, the user is encouraged to try to correct the interference by one or more of the following measures:

- Reorient or relocate the receiving antenna.
- Increase the separation between the equipment and receiver.
- Connect the equipment into an outlet on a circuit different from that to which the receiver is connected.
- Consult the dealer or an experienced radio/ TV technician for help.

### **FCC Radiation Exposure Statement: (mobile device)**

**This equipment complies with FCC radiation exposure limits set forth for an uncontrolled environment. In order to avoid the possibility of exceeding the FCC radio frequency exposure limits, Human proximity to the antenna shall not be less than 20cm (8 inches) during normal operation.**