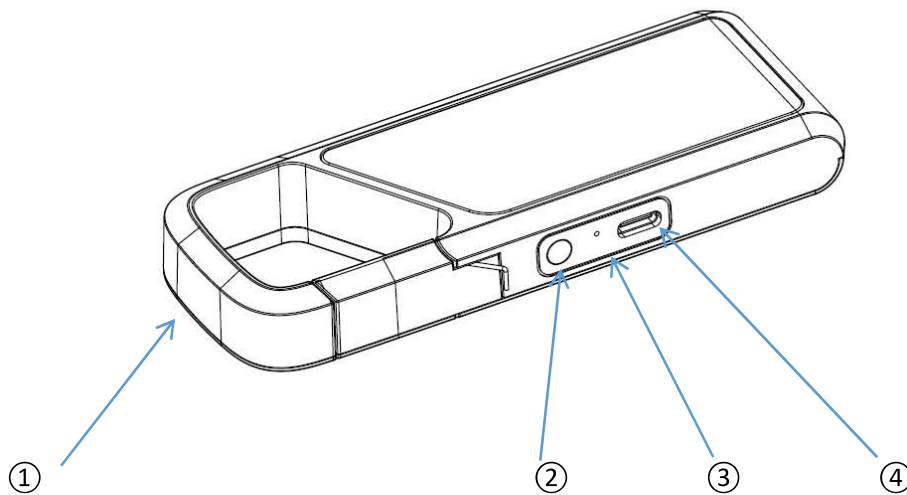


FCC ID: 2ADK3XY-AU001

## Clip Clap Bluetooth® Speaker

Instruction Manual



### Features:

- 1.Clip
2. ON/OFF button
3. LED Indicator
4. Type-C USB Port

### Contents:

- 1 x Bluetooth Speaker (124174)
- 1 x USB to Type-C USB Charging Cable
- 1 x Instruction Manual

### Technical Specifications:

- Playback time: up to 1.5 hours at max. volume
- Charging time: up to 1.5 hours
- Pairing name: "Clip-clap 2"

### Instructions:

(Be sure to fully charge the speaker before using for the first time.)

#### 1. Charging the speaker

Connect the charging cable provided to a power source and to the USB port on the speaker (4).

*The LED indicator light will glow red during charging and turn off when fully charged.*

## **2. Bluetooth® setup:**

- Press and hold ON/OFF button to turn on the speaker ,LED Indicator will flash RED&BLUE when in pairing mode.
- Turn on the Bluetooth function on mobile device, select “Clip-clap 2”pairing name.LED will slowly flash BLUE if successfully paired.
- Speaker will automatically pair if the mobile device has been paired before.
- If disconnect Bluetooth after 3 mins, the speaker Bluetooth will auto shut off.
- Long press ON/OFF button to turn off the speaker.

## **3. Play&Calling**

- When playing music, short press ON/OFF button to pause/resume music.
- When there's an incoming call, short press ON/OFF button answer the call, press again to end the call, press and hold the button to reject the call.

### **SAFETY PRECAUTIONS:**

- **WARNING** - When using this product, basic precautions should always be followed:
  1. Read all the instructions before use.
  2. Never store or use this product in temperatures below 32°F (0°C) or above 115°F (45°C).
  3. The unit will only achieve full performance after 2 or 3 completed charge and discharge cycles.
  4. To reduce the risk of injury, close supervision is required when the product is used near children.
  5. Do not expose the device to moisture.
  6. Do not use the device in excess of its output rating.
  7. Overloaded outputs above the rating may cause a risk of fire or injury.
  8. Do not use the device if it has been damaged or modified.
  9. Damaged or modified batteries may exhibit unpredictable behaviour resulting in fire, explosion or risk of injury.
  10. Do not disassemble the device. For repairs, seek a qualified service professional. Incorrect reassembly may result in a risk of fire or injury.
  11. Do not expose the device to fire or excessive temperatures. Exposure to fire or temperatures above 104°F (40°C) may result in explosion.To ensure product safety, ensure that qualified service professionals use only identical replacement parts.

### **Warning:**

This device complies with Part 15 of the FCC Rules. Operation is subject to the following two conditions:

- (1) this device may not cause harmful interference, and

(2) this device must accept any interference received, including interference that may cause undesired operation.

#### FCC Statement

This equipment has been tested and found to comply with the limits for a Class B digital device, pursuant to Part 15 of the FCC Rules. These limits are designed to provide reasonable protection against harmful interference in a residential installation. This equipment generates uses and can radiate radio frequency energy and, if not installed and used in accordance with the instructions, may cause harmful interference to radio communications. However, there is no guarantee that interference will not occur in a particular installation. If this equipment does cause harmful interference to radio or television reception, which can be determined by turning the equipment off and on, the user is encouraged to try to correct the interference by one or more of the following measures:

- Reorient or relocate the receiving antenna.
- Increase the separation between the equipment and receiver.

The device has been evaluated to meet general RF exposure requirement. The device can be used in portable exposure condition without restriction.