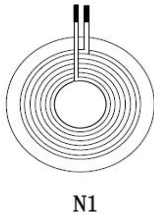


# 东莞市德欣达电子科技有限公司

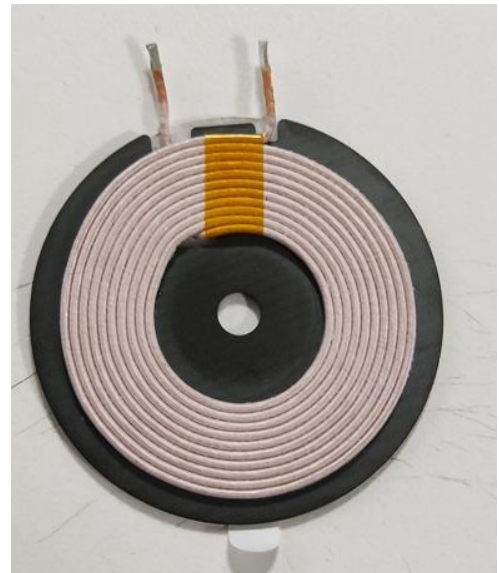
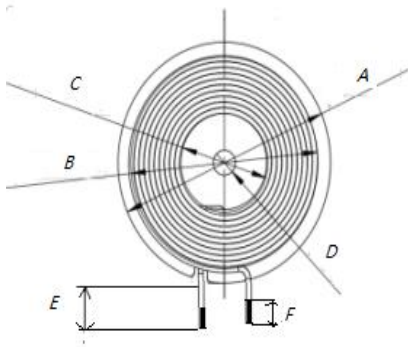
Dongguan Dexinda Electronic Technology Co.,Ltd

## CIRCUIT DIAGRAM



单位：MM

## OUTSIDE DIAGRA



Note: Wrap 8MM (ref) high temperature adhesive paper around coil outlet position

	A	B	C	D	E	F	G	
STD	50.0±1	40.5±1.5	20.5±0.5	5±0.5	50±1	2-5	2.2Max	

Unit: MM

All measurements were performed radiated and therefore additional antenna gain documentation is not required.