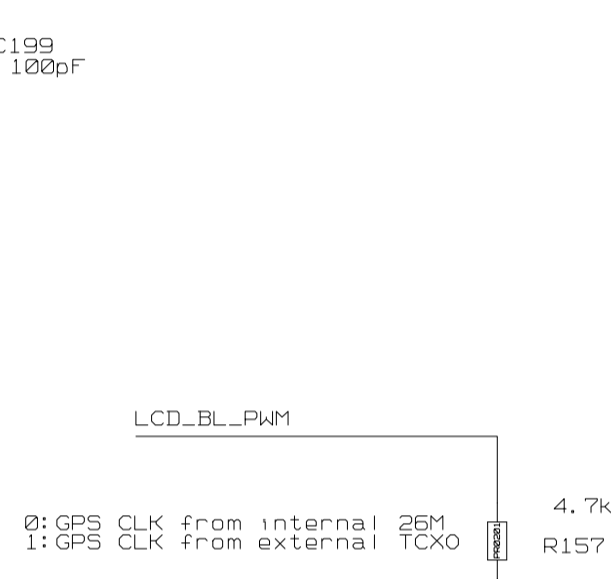
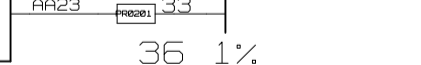
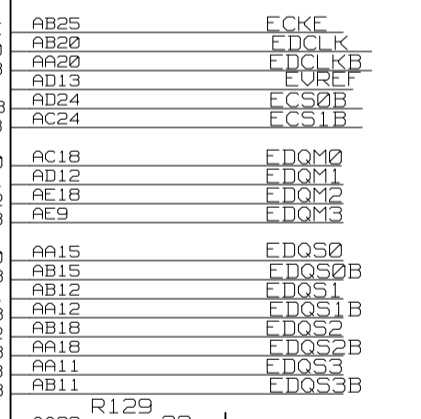
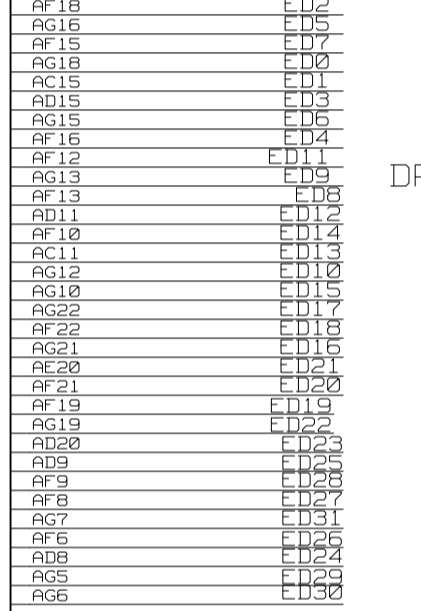
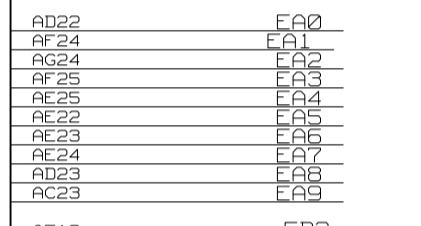
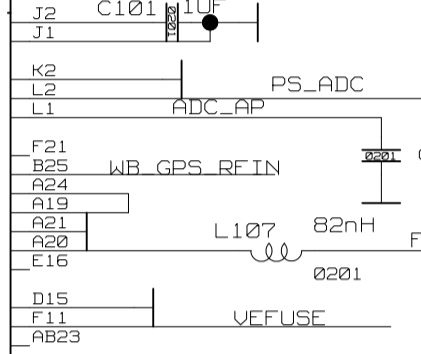
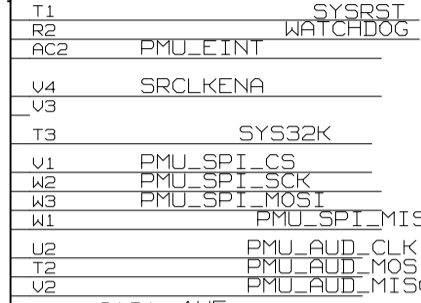
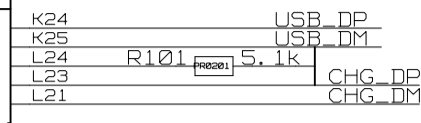


U101

DDR2		MT6580 (1/3) DDR2	
TP_RST B15	KPROW0\GPIO65\URTS1\MD_UTXD3\EINT1	USB_DP K24	USB_DP
LCD_ID B15	KPROW0\GPIO69\CONN_MCU_DBGACK_N\MD_EINT0\EINT4	USB_DM K25	USB_DM
KCOL0 B14	KPCOL1\GPIO67\UCTS1\PWMLD\MD_URXD3\EINT3	L24 R101 5.1k	CHG_DP
CM_SCL0 F15	KPCOL0\GPIO64\EINT0	L23	CHG_DP
CM_SDA0 W24	I2C_SCL0\GPIO58\EINT10	L21	CHG_DM
TP_SCL1 B18	I2C_SCL1\GPIO59\EINT11	T1	SYSRST
TP_SDA1 F14	I2C_SDA1\GPIO62\EINT14	R2	WATCHDOG
S_SCL2 R189	I2C_SCL2\GPIO60\EINT12	AC2	PMU_EINT
S_SDA2 R188	I2C_SDA2\GPIO63\EINT15	V4	SRCLKENA
FLASHLED_EN A01	NF10\GPIO9\SPI3_CS\USB_IDDIG\URXD2\MD_EINT0\EINT9	V3	SYS32K
SPK_ON_1 A04	NF11\GPIO10\SPI3_SCK\USB_DRUVBUS\UTXD2\MD_EINT10	V1	PMU_SPI_CS
SPK_ON_2 A02	NF12\GPIO11\SPI3_MOSI\URXD1\MD_URXD3\EINT11	W2	PMU_SPI_SCK
PS_KP A03	NF13\GPIO12\SPI3_MISO\I250_WS\UTXD1\MD_UTXD3\EINT12	W3	PMU_SPI_MOSI
PS_KP A04	NF14\GPIO14\I250_BCK\MD_EINT1\URTS1\ANT_SEL0\EINT14	W1	PMU_SPI_MISO
AF3 A03	NF15\GPIO15\I250_DI\MD_EINT2\UCTS1\ANT_SEL1\EINT15	V2	PMU_AUD_CLK
AF4 A04	NF16\GPIO16\I251_WS\SIM1_SIO\I2C_SCL2\ANT_SEL2\EINT0	U2	PMU_AUD_MOSI
AF3 A03	NF17\GPIO17\I251_BCK\SIM1_SCLK\I2C_SDA2\EINT1	V2	PMU_AUD_MISO
AD3 A03	NF18\GPIO18\I251_LDO\I2C_SCL1\JTCK\EINT2	J2	C101 1uF
AF1 A01	NF19\GPIO19\I252_WS\I2C_SDA1\JTD0\CMCSK\EINT3	J1	REFP
AF2 A02	NF110\GPIO20\I252_BCK\SIM2_SIO\JTHS\CMCS0\EINT4	K2	REFN
AF2 A02	NF111\GPIO21\I252_DI\SIM2_SCLK\JTD1\CMCS1\EINT5	L2	PS_ADC
EMMC_DAT0 A05	MC0_DAT0\GPIO43\NF114\EINT11	L1	ADC_AP
EMMC_DAT1 A05	MC0_DAT1\GPIO44\NF115\EINT12	F21	WB_EXT_G
EMMC_DAT2 A04	MC0_DAT2\GPIO45\NF116\EINT13	B25	WB_GPS_RF_IN
EMMC_DAT3 A04	MC0_DAT3\GPIO46\NF117\EINT14	A24	GPS_RF_IN
EMMC_DAT4 A03	MC0_DAT4\GPIO47\NF118\EINT15	A19	GPS_RF_OUT
EMMC_DAT5 A02	MC0_DAT5\GPIO48\NF119\EINT0	A21	FM_LANT_IN
EMMC_DAT6 A05	MC0_DAT6\GPIO49\NF120\EINT1	A20	FM_LANT_P
EMMC_DAT7 A06	MC0_DAT7\GPIO50\NF121\EINT2	E16	XO_IN
EMMC_CMD A02	MC0_CMD\GPIO42\NF113\EINT10	D15	TESTMODE
EMMC_CLK A02	MC0_CLK\GPIO41\NF112\EINT9	F11	FSOURCE_P
EMMC_RST A02	MC0_RSTB\GPIO51\NF122\EINT3	AB23	PAD_TP_MEMPLL
SD_MCI_CMD G22	MSDC1_CMD\GPIO53\CONN_MCU_TDO\EINT4\CONN_MCU_AICE_TCK\CONN_FM_TDO\I251_WS	EA0	AD22
SD_MCI_CLK J22	MSDC1_CLK\GPIO52\CONN_MCU_TDI\EINT3\JTHS\CONN_FM_TDI\I251_BCK	EA1	AF24
SD_MCI_DA3 H23	MSDC1_DAT3\GPIO54\CONN_MCU_TMS\EINT5\JTD0\CONN_FM_TMS\I251_DO	EA2	AG24
SD_MCI_DA2 K23	MSDC1_DAT2\GPIO55\CONN_MCU_TRST_B\EINT6\JTD1\CONN_FM_TRST\I252_WS	EA3	AF25
SD_MCI_DA1 K22	MSDC1_DAT1\GPIO56\CONN_MCU_TCK\EINT7\CONN_MCU_AICE_TMSC\I252_BCK	EA4	AG25
SD_MCI_DA0 J21	MSDC1_DAT0\GPIO57\CONN_MCU_DBG1_N\EINT0\JTCK\CONN_FM_TCK\I252_DI	EA5	AE22
HP_EINT0 B16	SP11_CS\GPIO00\I250_WS\USB_IDDIG\JTD1\SIM2_SCLK\EINT0	EA6	AE23
LPTE 0 C16	SP11_SCK\GPIO1\I250_BCK\USB_DRUVBUS\JTCK\CMCSK\MD_EINT1	EA7	AE24
LCD_BL_PWM R181	SP11_MOSI\GPIO2\I250_DI\SP11_MISO\JTHS\CMCS0\EINT2	EA8	AD23
PS_FTNT3 D16	SP11_MISO\GPIO3\SIM2_SIO\SP11_MOSI\JTD0\CMCS1\EINT3	EA9	AC23
TP_EINT4 G25	I253_WS\GPIO4\SPI2_CS\SIM1_SIO\URTS1\MD_EINT0\EINT4	ED0	AF18
CM_AF_EN F24	I253_BCK\GPIO5\SPI2_SCK\SIM1_SCLK\UCTS1\I2C_SCL2\EINT5	ED1	AG16
CM_AF_EN D25	I253_DO\GPIO6\SPI2_MOSI\I2C_SDA2\EINT6	ED2	AF15
TP134 Y4	UTXD1\GPIO78\USB_DRUVBUS\UTXD2\MD_EINT2\MD_UTXD3\EINT13	ED3	AG18
HALL_EINT7 TP135	URXD1\GPIO77\USB_IDDIG\URXD2\MD_EINT1\MD_URXD3\EINT12	ED4	AC15
TORCH_LED_PWM A25	UTXD2\GPIO79\SPI2_MISO\MD_UTXD3\USB_IDDIG\MD_EINT1\EINT7	ED5	AD15
	URXD2\GPIO78\PWML\MD_URXD3\USB_DRUVBUS\MD_EINT2\EINT8	ED6	AG15
		ED7	AF16
		ED8	AF12
		ED9	AG13
		ED10	AF13
		ED11	AD11
		ED12	AF10
		ED13	AC11
		ED14	AG12
		ED15	AG10
		ED16	AG22
		ED17	AF22
		ED18	AG21
		ED19	AE20
		ED20	AF19
		ED21	AG19
		ED22	AD20
		ED23	AD9
		ED24	AF9
		ED25	AF8
		ED26	AG7
		ED27	AF6
		ED28	AD8
		ED29	AG5
		ED30	AG6
		ED31	
		ECKE	AB25
		EDCLK0	AB20
		EDCLK0_B	AD13
		UREF0	AD24
		ECSM0_B	AC24
		ECSM1BOOT_B	
		EDOM0	AC18
		EDOM1	AD12
		EDOM2	AE18
		EDOM3	AE9
		EDOS0	AA15
		EDOS0_B	AB15
		EDOS1	AB12
		EDOS1_B	AA15
		EDOS2	AB18
		EDOS2_B	AA18
		EDOS3	AA11
		EDOS3_B	AB11
		REXTDN	AA23



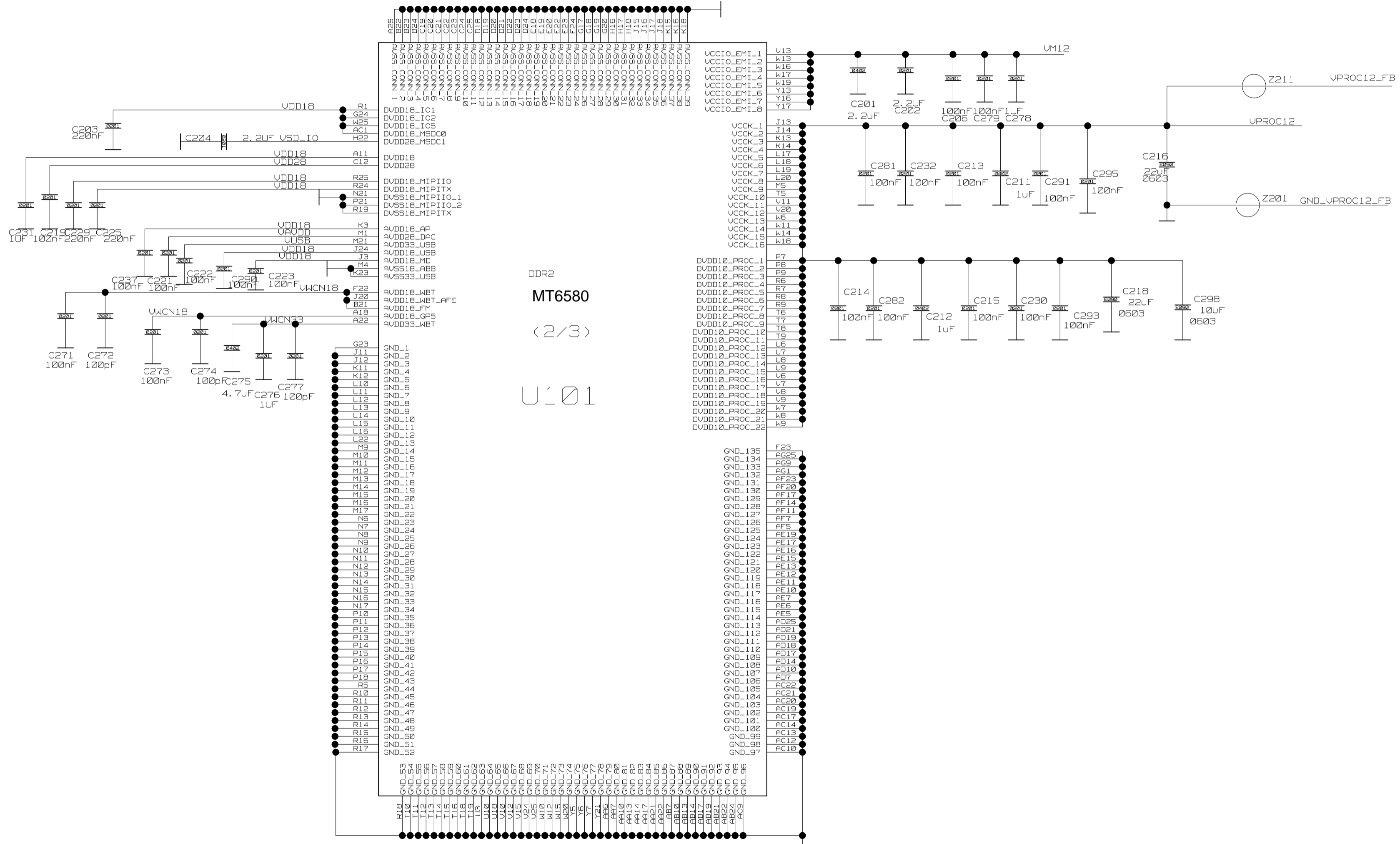
0: GPS CLK from internal 26M
1: GPS CLK from external TCXO

DDR3

KCOL0 R170 1K KCOL0_J

36 1%

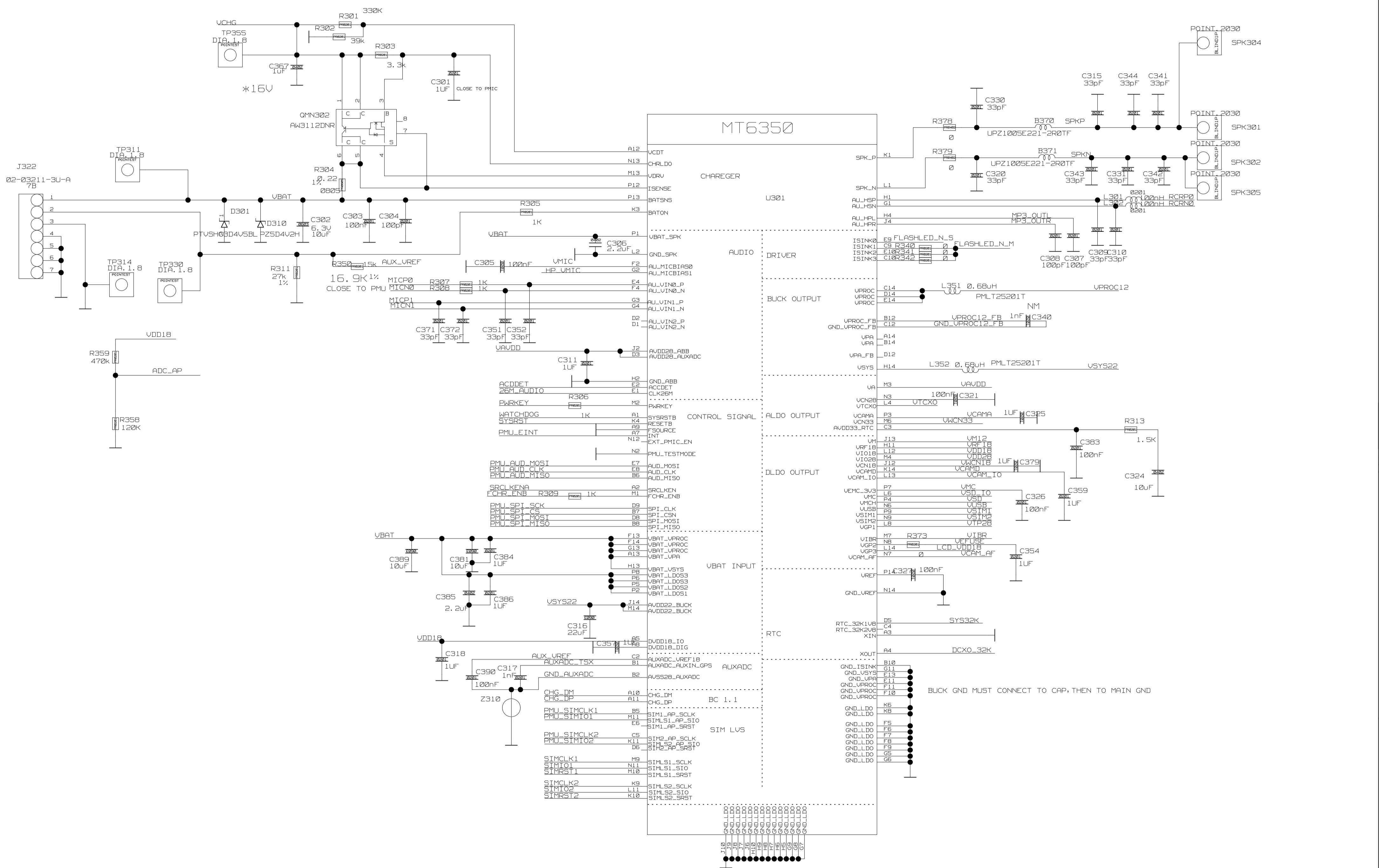
4000144020R4300001



DDR2
MT6580
 (2/3)
U101

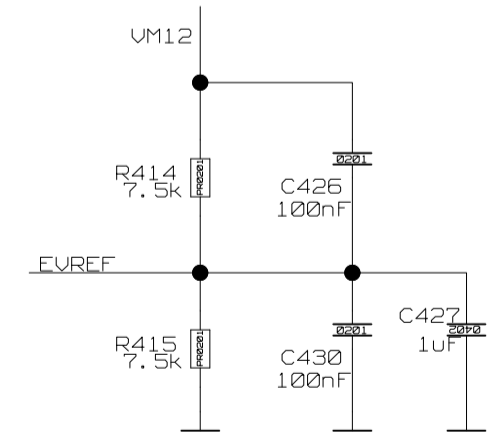
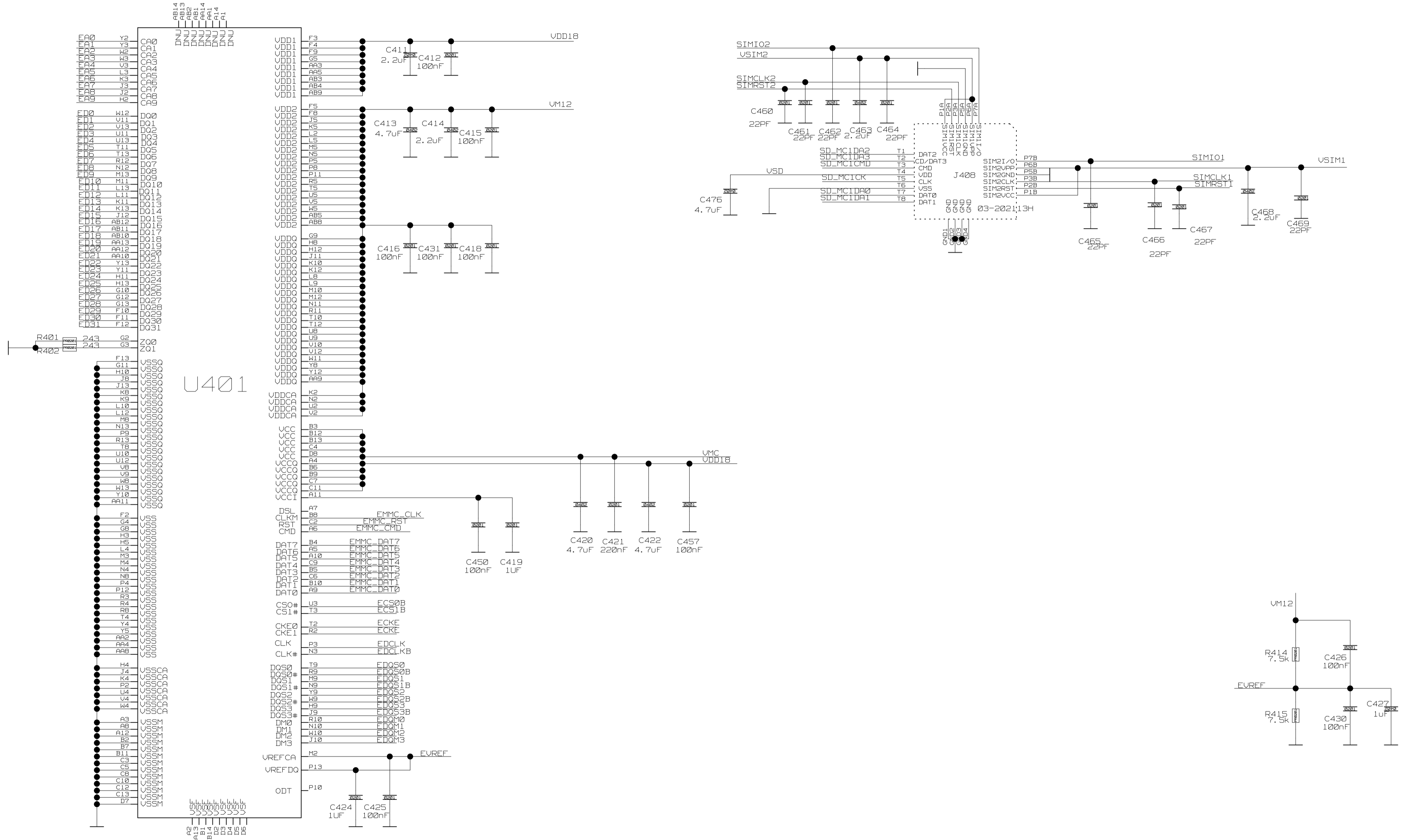
- VCCIO_EMI_1
- VCCIO_EMI_2
- VCCIO_EMI_3
- VCCIO_EMI_4
- VCCIO_EMI_5
- VCCIO_EMI_6
- VCCIO_EMI_7
- VCCIO_EMI_8
- VCCK_1
- VCCK_2
- VCCK_3
- VCCK_4
- VCCK_5
- VCCK_6
- VCCK_7
- VCCK_8
- VCCK_9
- VCCK_10
- VCCK_11
- VCCK_12
- VCCK_13
- VCCK_14
- VCCK_15
- VCCK_16
- DVDD10_PROC_1
- DVDD10_PROC_2
- DVDD10_PROC_3
- DVDD10_PROC_4
- DVDD10_PROC_5
- DVDD10_PROC_6
- DVDD10_PROC_7
- DVDD10_PROC_8
- DVDD10_PROC_9
- DVDD10_PROC_10
- DVDD10_PROC_11
- DVDD10_PROC_12
- DVDD10_PROC_13
- DVDD10_PROC_14
- DVDD10_PROC_15
- DVDD10_PROC_16
- DVDD10_PROC_17
- DVDD10_PROC_18
- DVDD10_PROC_19
- DVDD10_PROC_20
- DVDD10_PROC_21
- DVDD10_PROC_22
- GND_135
- GND_134
- GND_133
- GND_132
- GND_131
- GND_130
- GND_129
- GND_128
- GND_127
- GND_126
- GND_125
- GND_124
- GND_123
- GND_122
- GND_121
- GND_120
- GND_119
- GND_118
- GND_117
- GND_116
- GND_115
- GND_114
- GND_113
- GND_112
- GND_111
- GND_110
- GND_109
- GND_108
- GND_107
- GND_106
- GND_105
- GND_104
- GND_103
- GND_102
- GND_101
- GND_100
- GND_99
- GND_98
- GND_97

4000144020R4300001



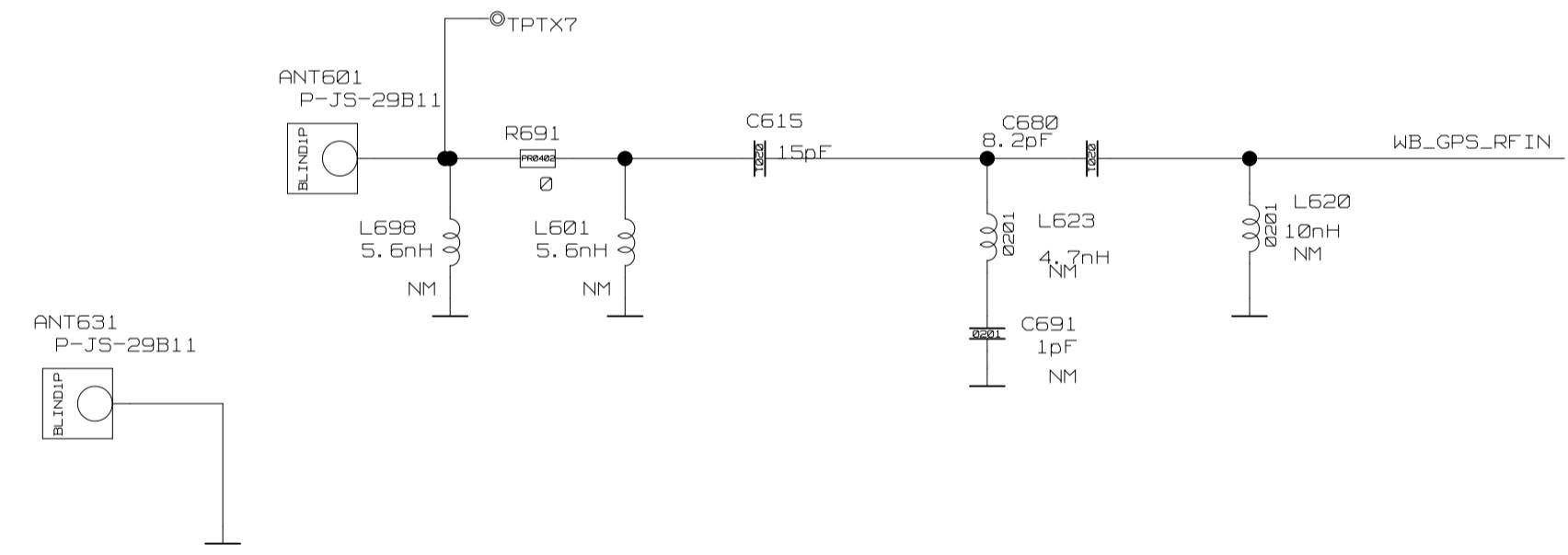
BUCK GND MUST CONNECT TO CAP, THEN TO MAIN GND

T-Flash&SIM 3 IN 1



4000144020R4300001

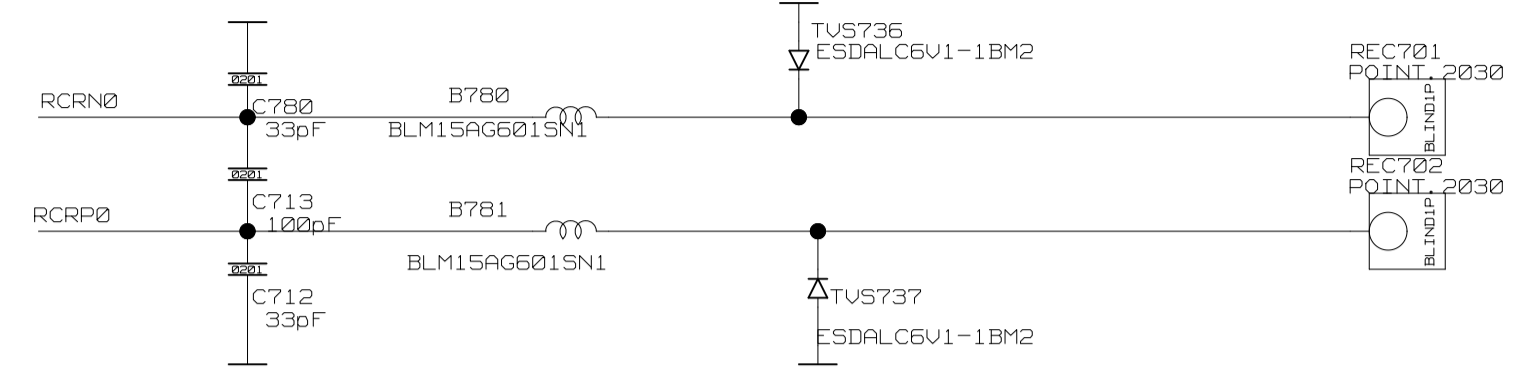
BT WIFI GPS FM



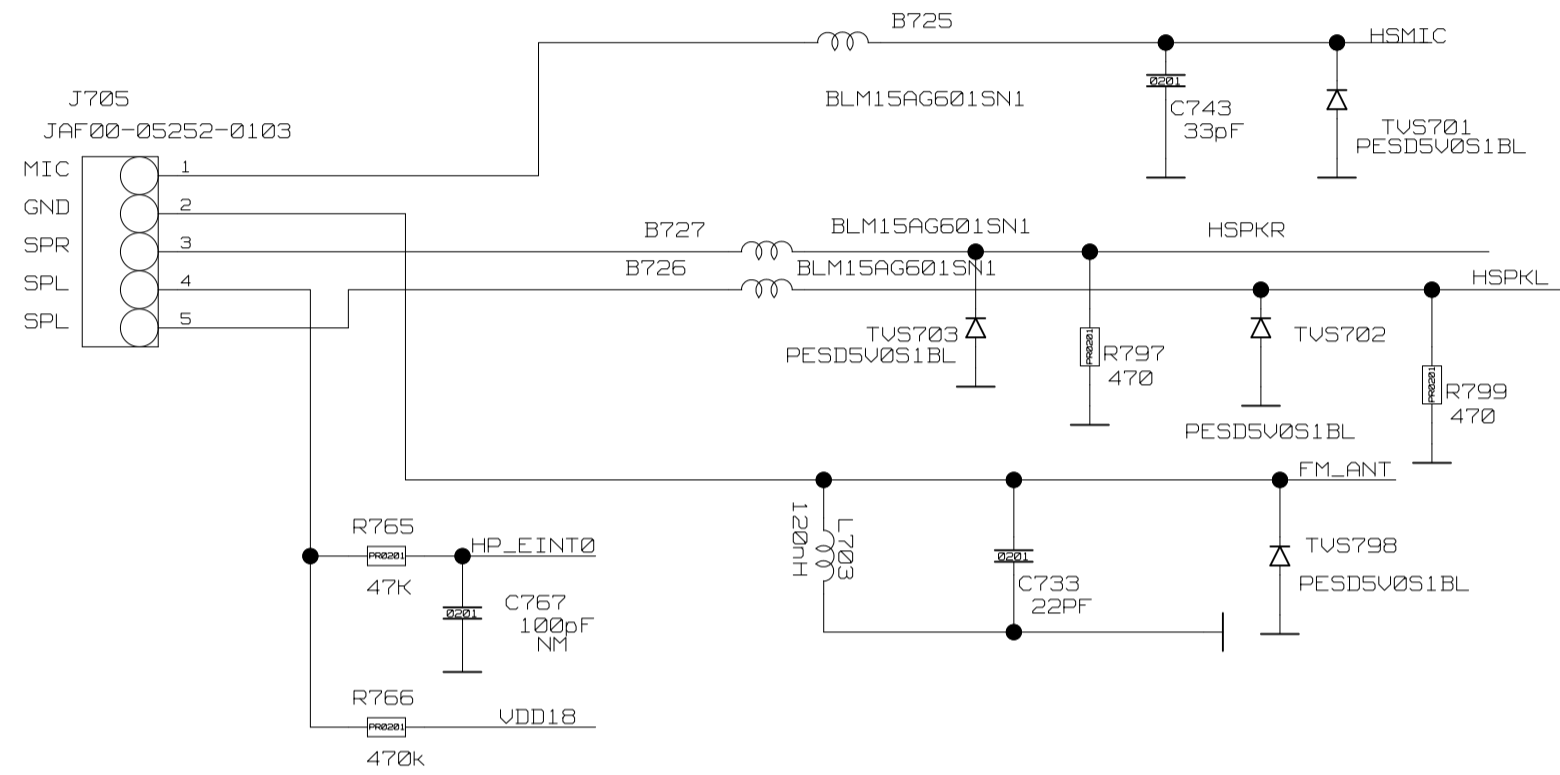
HEADSET AND DIGITAL AUDIO



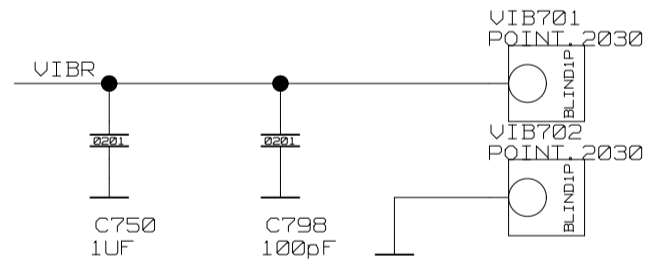
RE



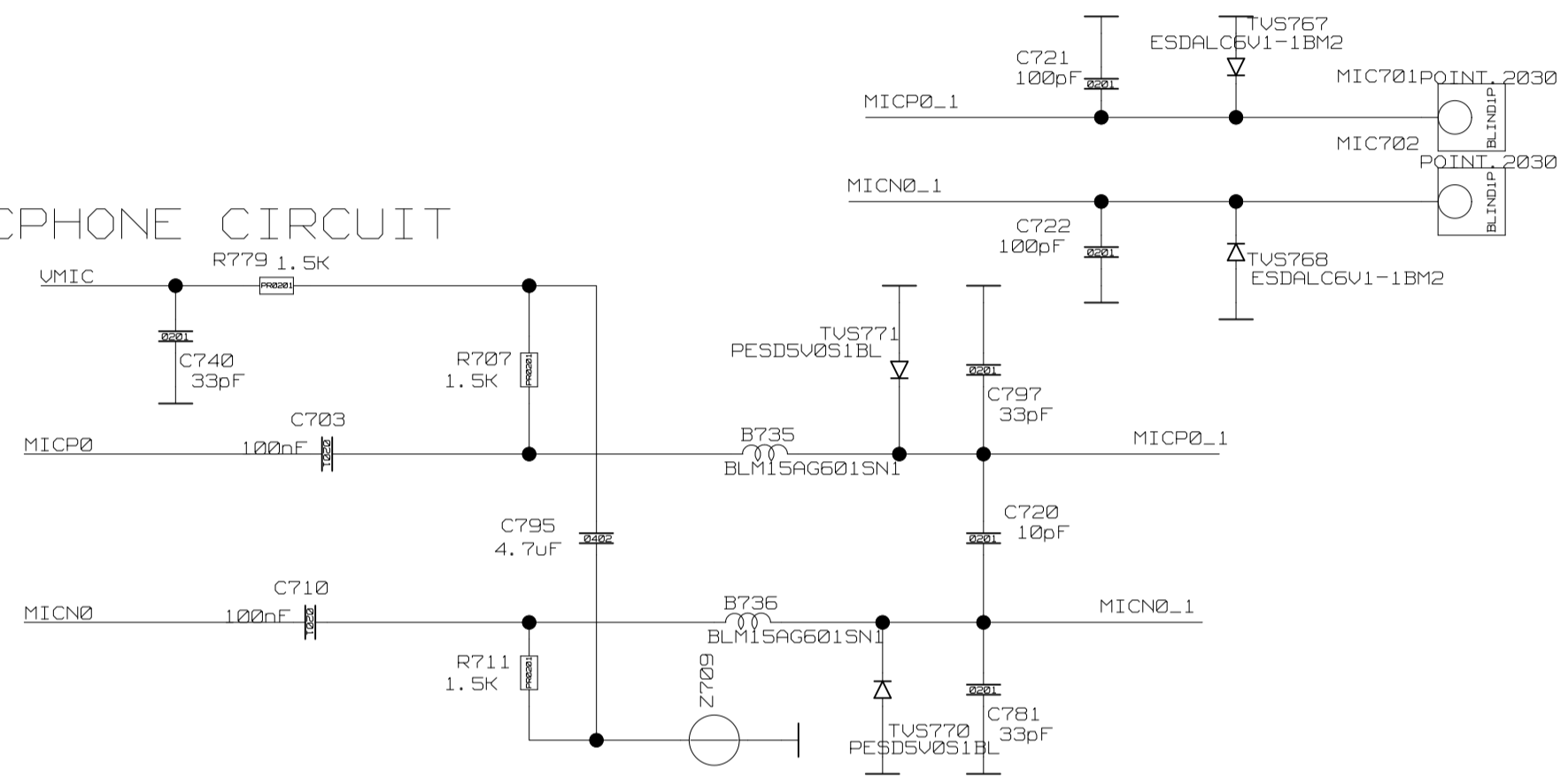
HEADSET



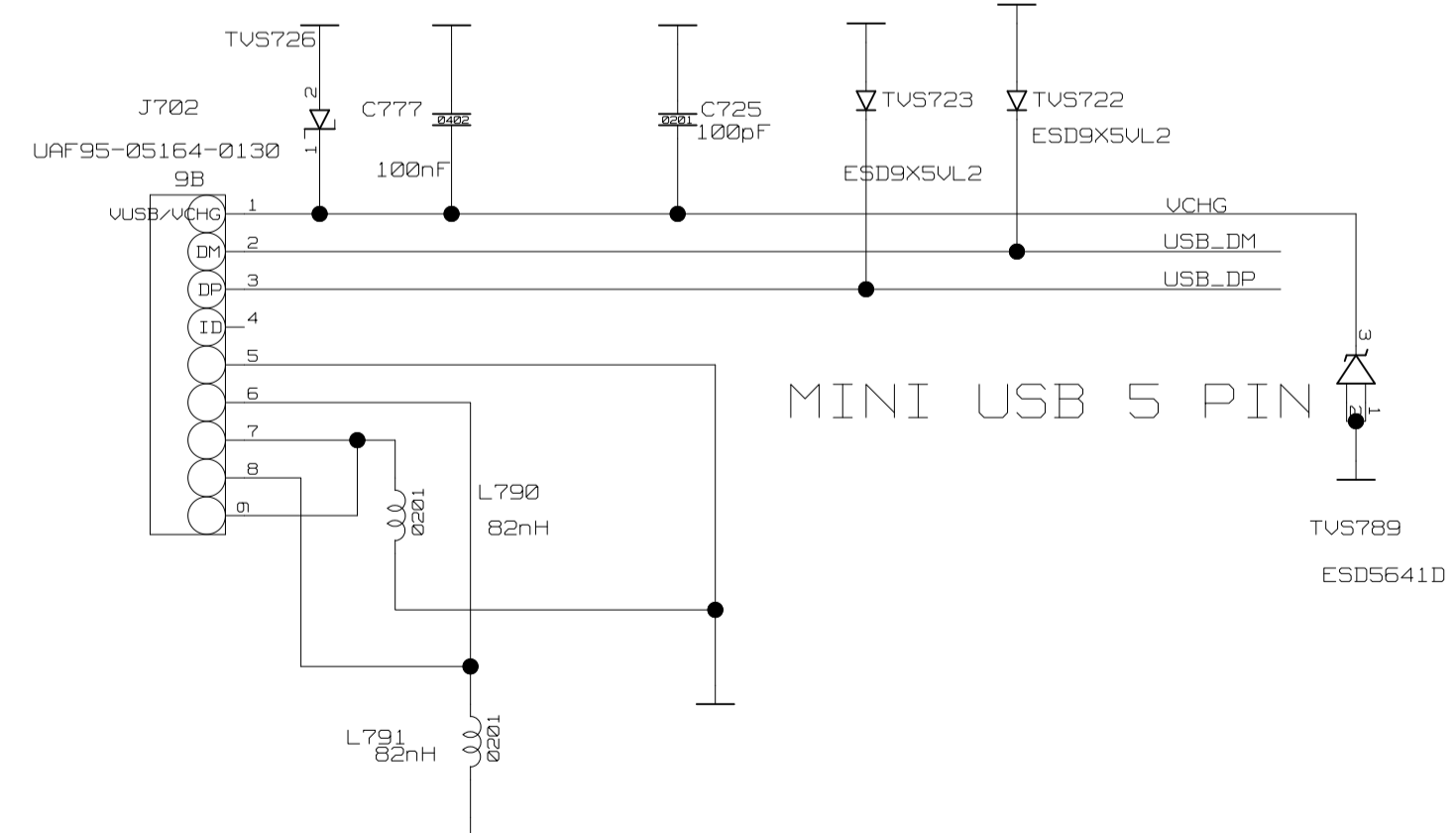
SUB FPC

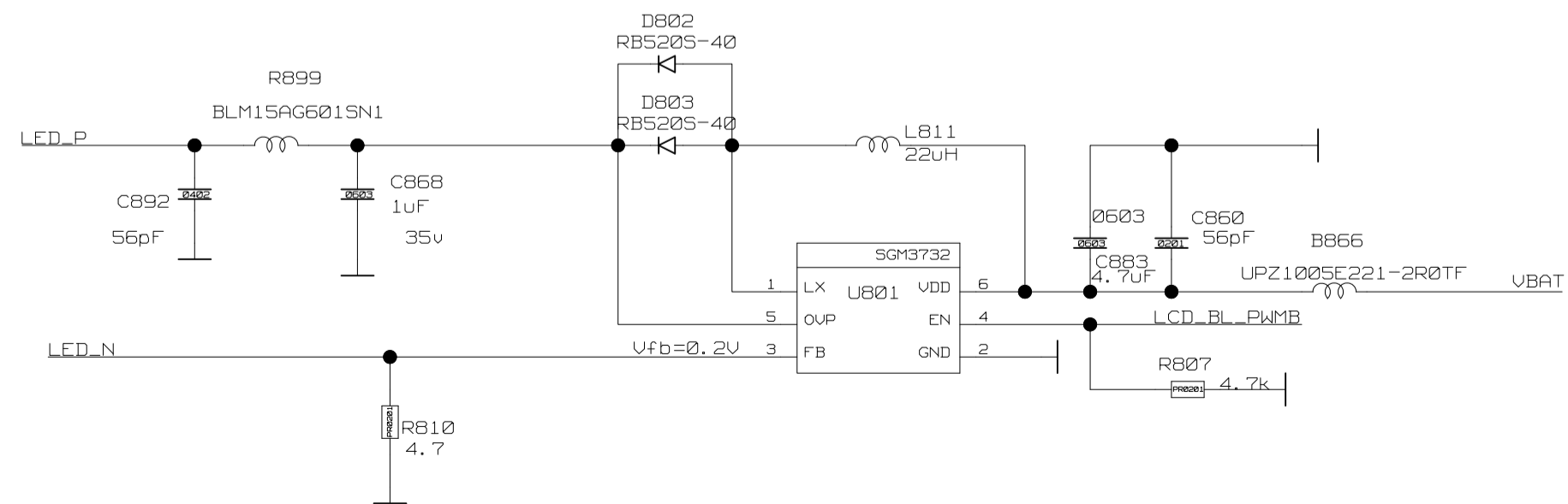
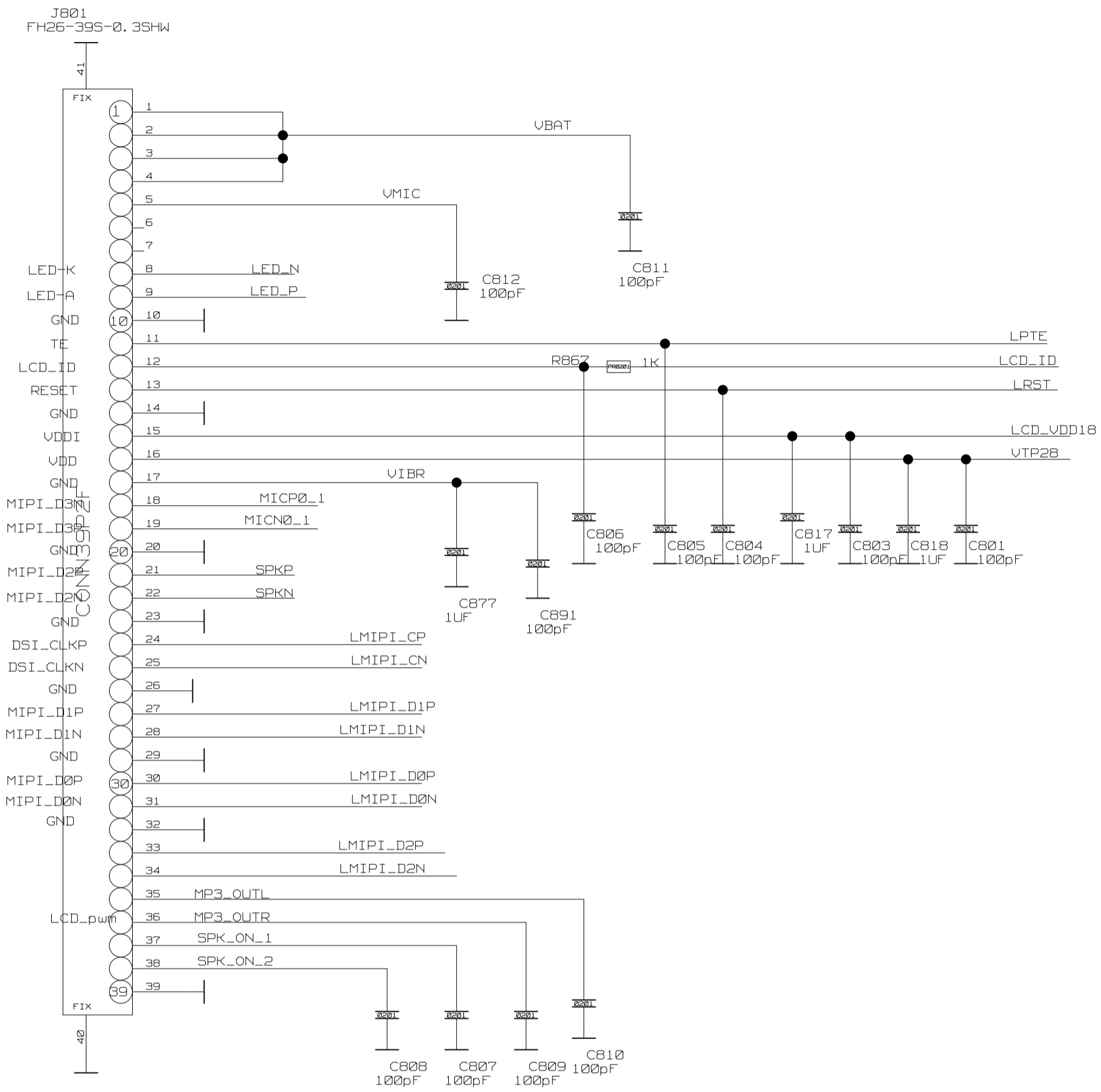


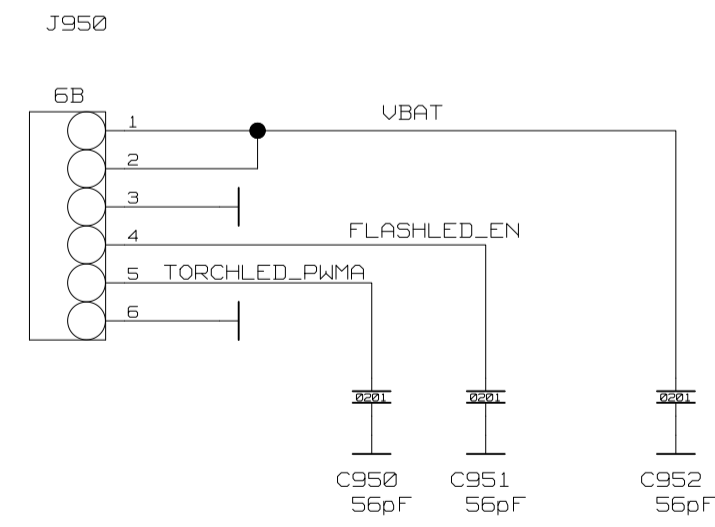
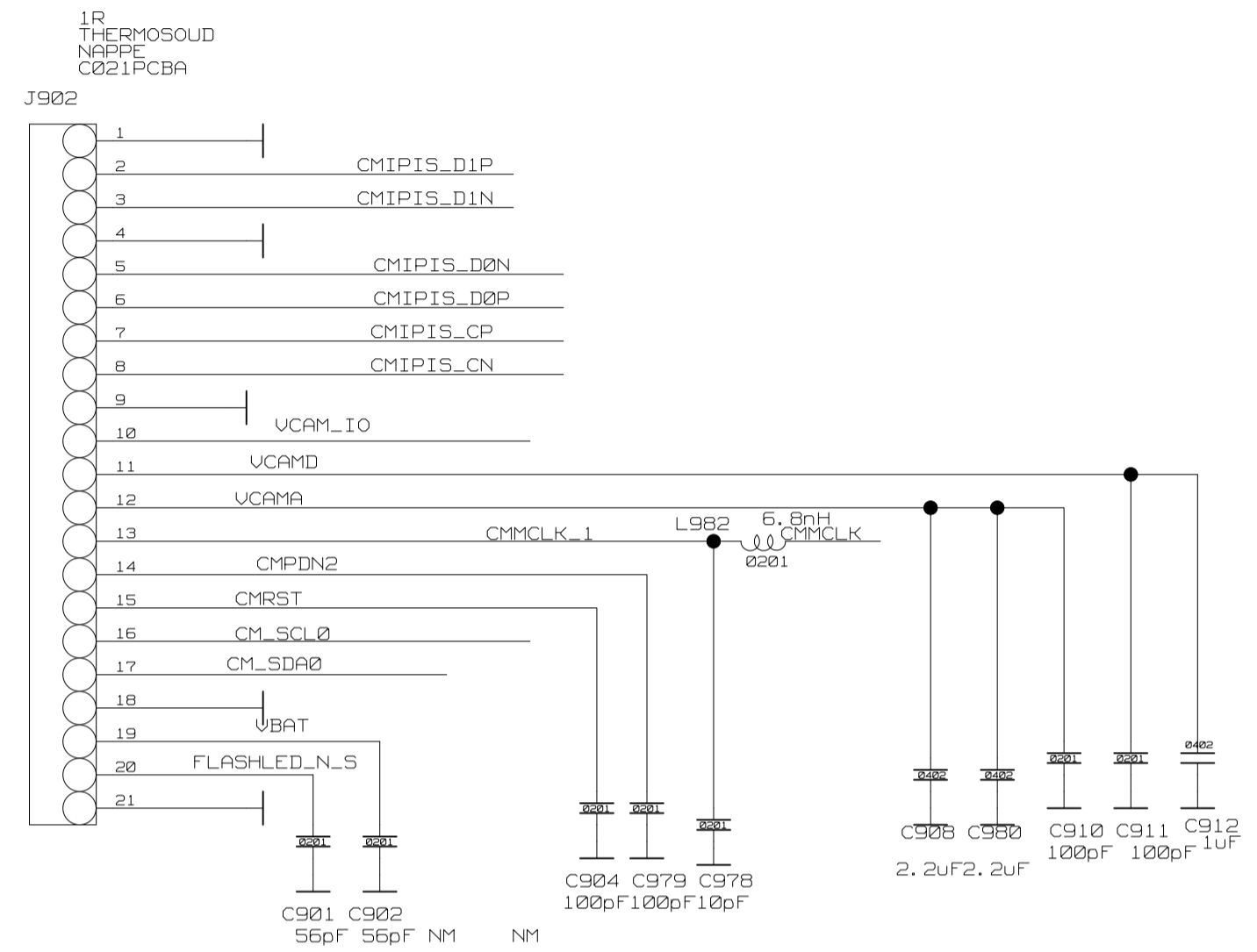
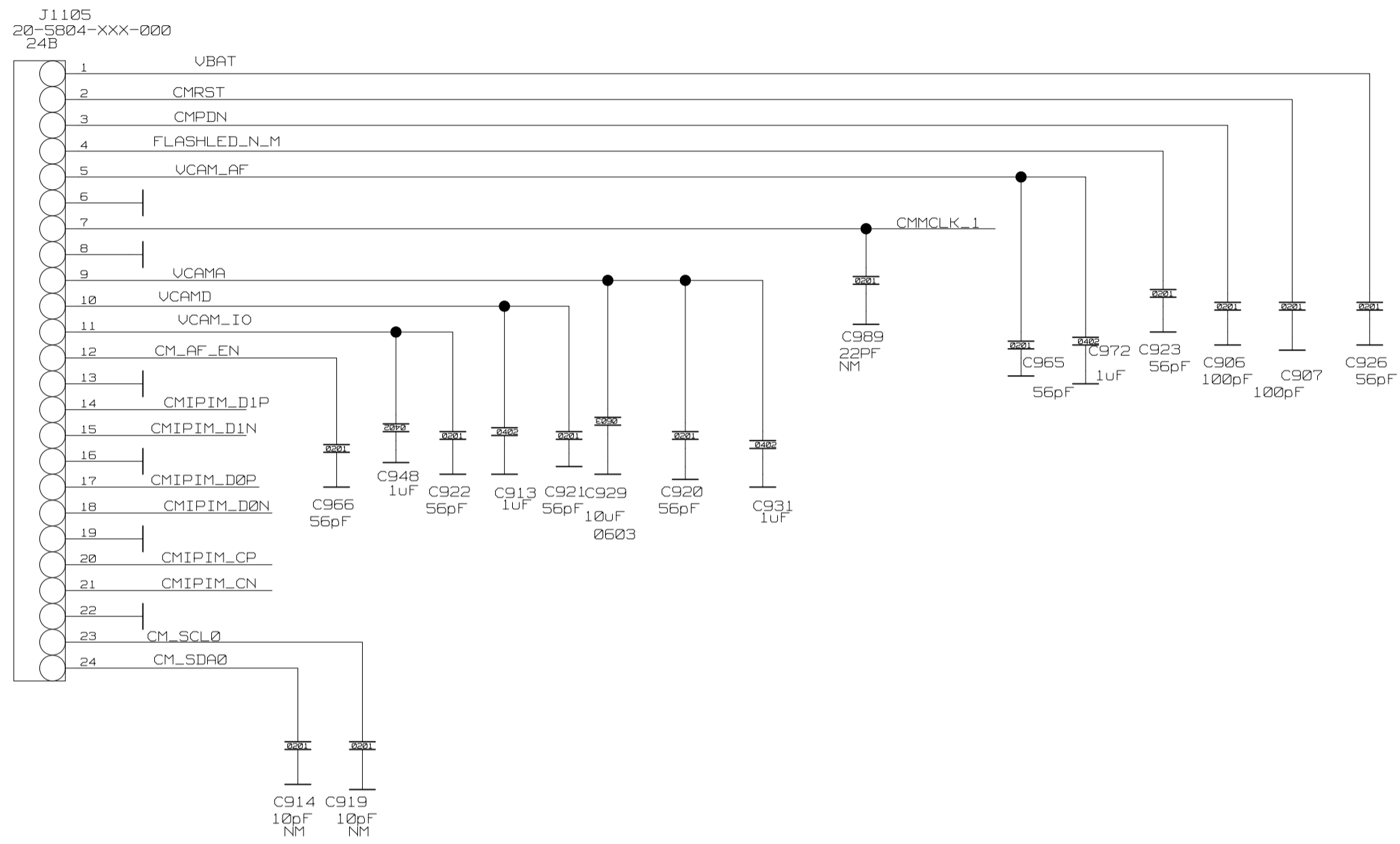
MICPHONE CIRCUIT



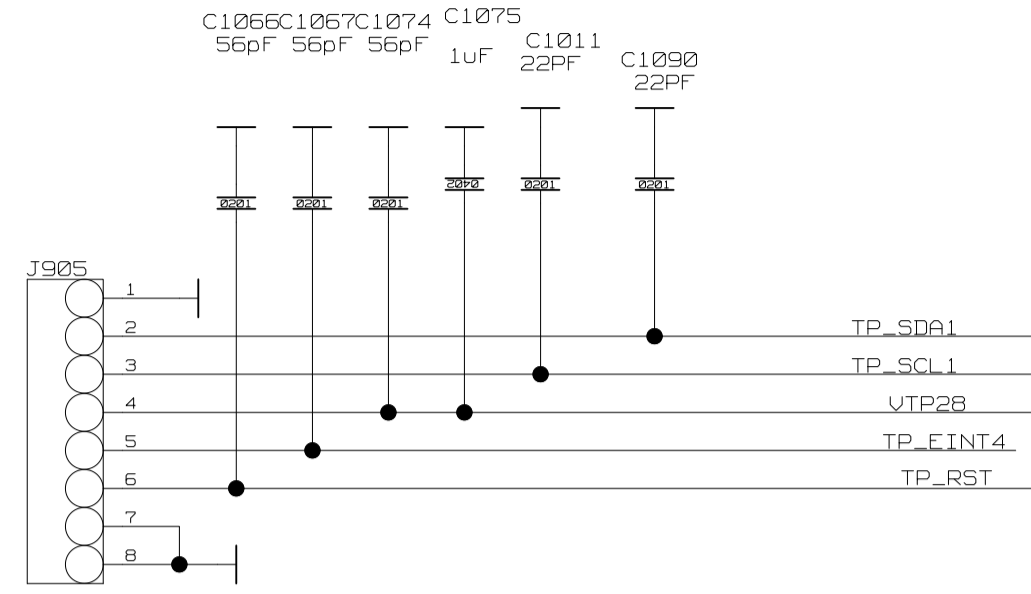
MINI USB 5 PIN







TP FPC



MOTION SENSOR

