



深圳市三好无线通信有限公司

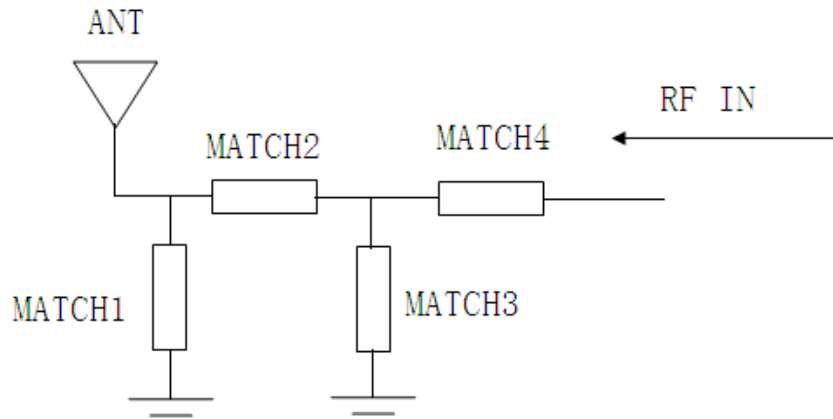
天线性能测试报告

Antenna performance test report

client's name	Sun Cupid Technology (HK) Ltd.
Model No.	N6501L
Test frequency band	5G: N2/N5/N25/N41/N66/N71 4G: B1/2/3/4/5/7/8/12/17/18/19/20/25/26/28AB/41/66/ 71 3G: B1/2/4/5/6/8/19 2G: 850/900/1800/1900 Bluetooth, Wi-Fi, GPS, NFC
RF engineer	周武

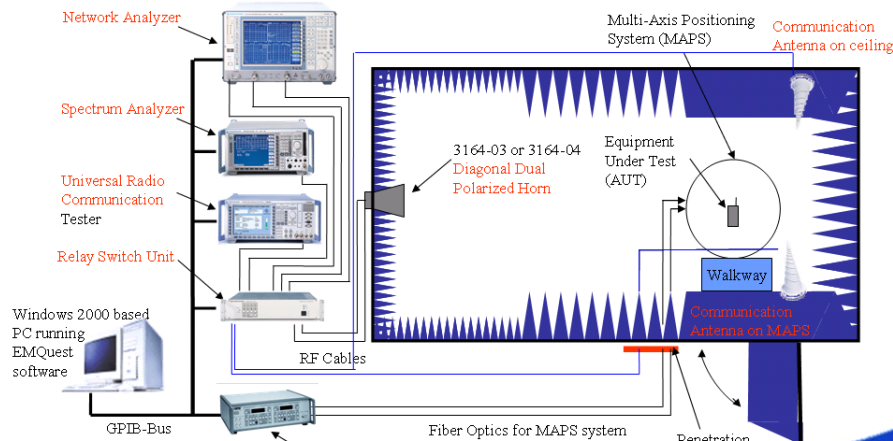
Test date	2022. 6. 22
-----------	-------------

1、 Antenna matching circuit:



Tag number	MATCH1	MATCH2	MATCH3	MATCH4
value		0 ohm		0 ohm

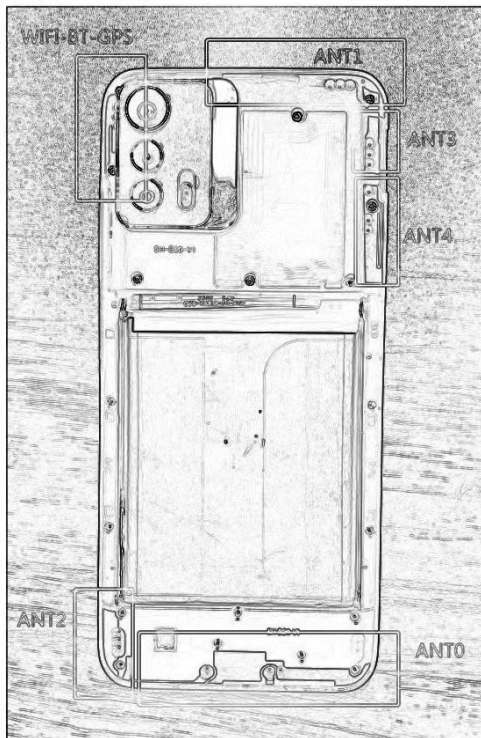
2、 Antenna test equipment:



The performance test report is as follows:

Band	Gain (dBi)	Band	Gain (dBi)	Band	Gain (dBi)	Band	Gain (dBi)
GSM850	0.6	FDD-B1	1	FDD-B20	0.6	N2	0.8
EGSM900	0.6	FDD-B2	0.8	FDD-B25	0.8	N5	0.6
DCS1800	0.9	FDD-B3	0.6	FDD-B26	0.6	N25	0.8
PCS1900	0.8	FDD-B4	0.6	FDD-B28	0.2	N41	1.2
		FDD-B5	0.6	FDD-B66	0.6	N66	0.6
WCDMA1	1	FDD-B7	1.2	FDD-B71	0.1	N71	0.1
WCDMA2	0.8	FDD-B8	0.6				
WCDMA4	0.9	FDD-B12	0.2	TDD-B34	0.8	Bluetooth	0.5
WCDMA5	0.6	FDD-B13	0.2	TDD-B38	1.2	2.4G Wi-Fi	0.5
WCDMA6	0.5	FDD-B17	0.2	TDD-B39	0.8	5G Wi-Fi	0.8
WCDMA8	0.6	FDD-B18	0.6	TDD-B40	0.7		
WCDMA19	0.5	FDD-B19	0.6	TDD-B41	1.2		

Antenna Map



Ant0: GSM850/B5/N5/B12/B13/B17/B26/B71/N71/ DC_2A_n41A (B2)/ DC_2A_n71A (N71)/ DC_12A_n2A (B12)/ DC_12A_n66A (B12) / DC_66A_n41A (B66)/ DC_66A_n71A (N71) TX, PCS1900/B2/N2/B4/B7/B25/N25/B66/N66 RX

Ant1: PCS1900/B2/N2/B4/B7/B25/N25/B41/N41/B66/N66/DC_2A_n41A (N41)/ DC_2A_n71A (B2)/DC_12A_n2A (N2)/ DC_12A_n66A (N66)/ DC_66A_n41A (N41) / DC_66A_n71A (B66) TX, GSM850/B5/N5/B12/B13/B17/B26/B71/N71 RX

Ant2: DC_2A_n41A (B2)/ DC_2A_n71A/ DC_12A_n66A/ DC_12A_n2A/ DC_66A_n41A (B66)/ DC_66A_n71A RX

Ant3: No use

Ant4: B41/N41/ DC_2A_n41A (N41)/ DC_66A_n41A (N41) RX

Note: For NSA Mode, in parentheses are the frequency bands supported by the antenna.