

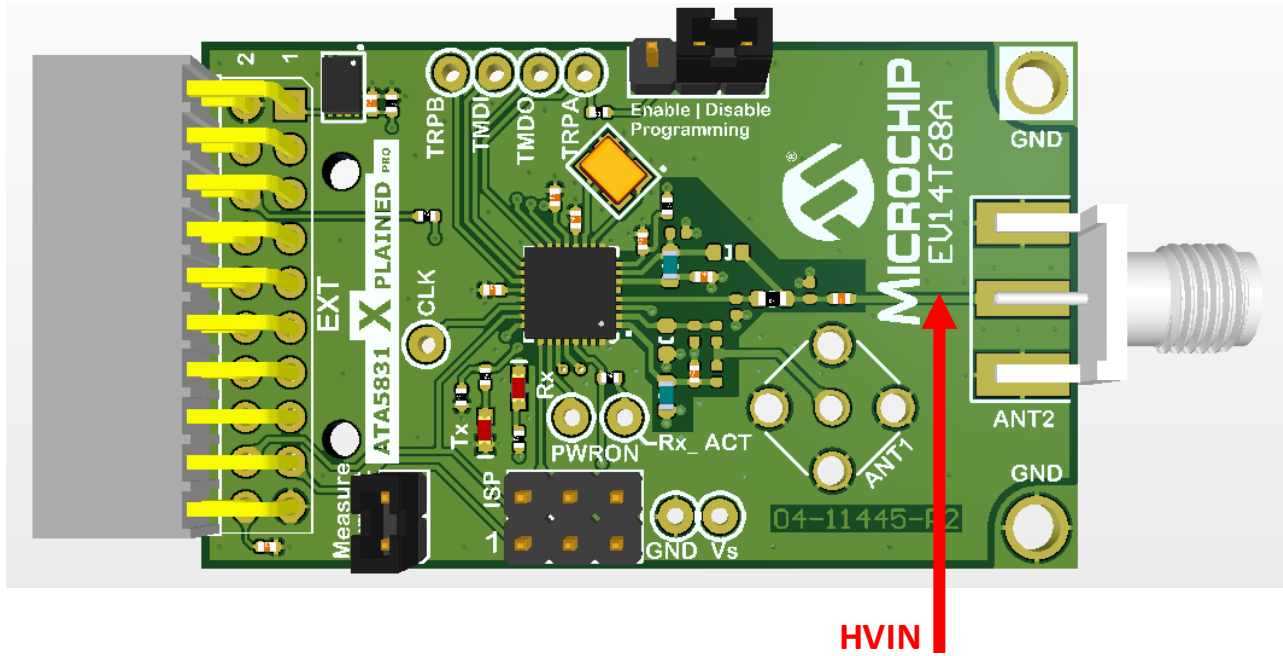
EV14T68A

Label and Label Location

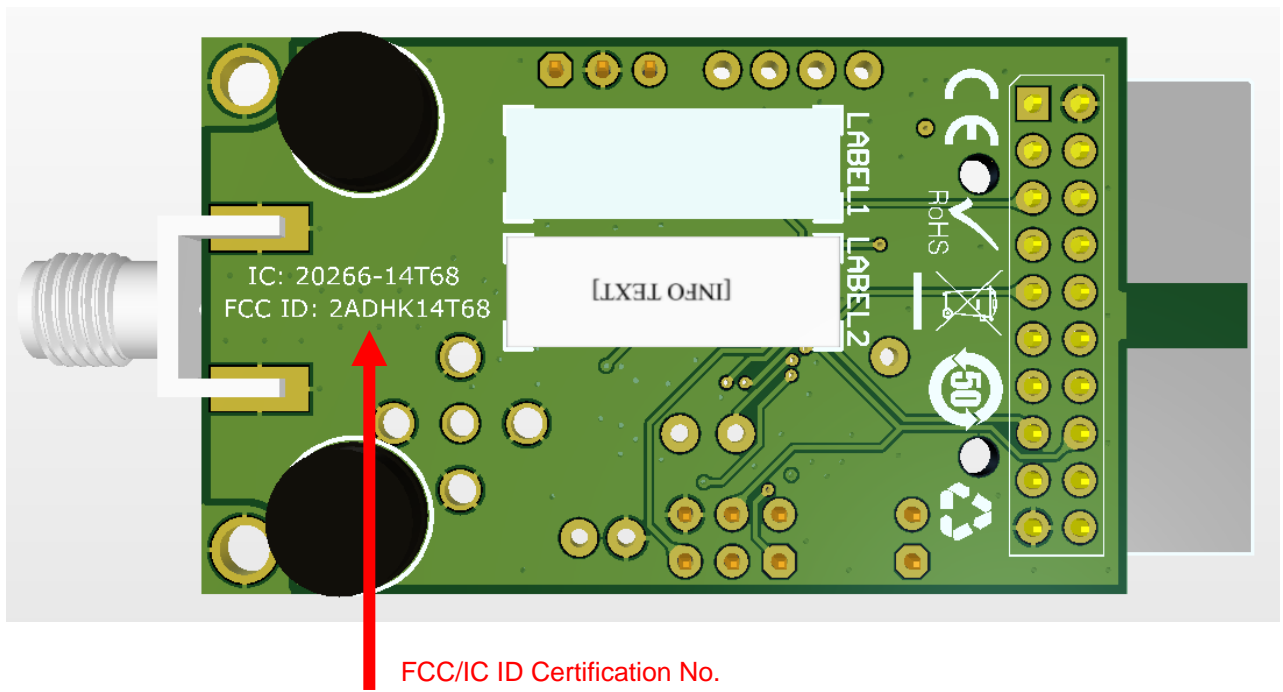
Revision 0.2
May 2023

This document contains the Label and Label Location information for the EV14T68A (ATA5831-XPRO).

Label is affixed to the top silkscreen layer of the board and is located as shown in the following:



HVIN



FCC/IC ID Certification No.