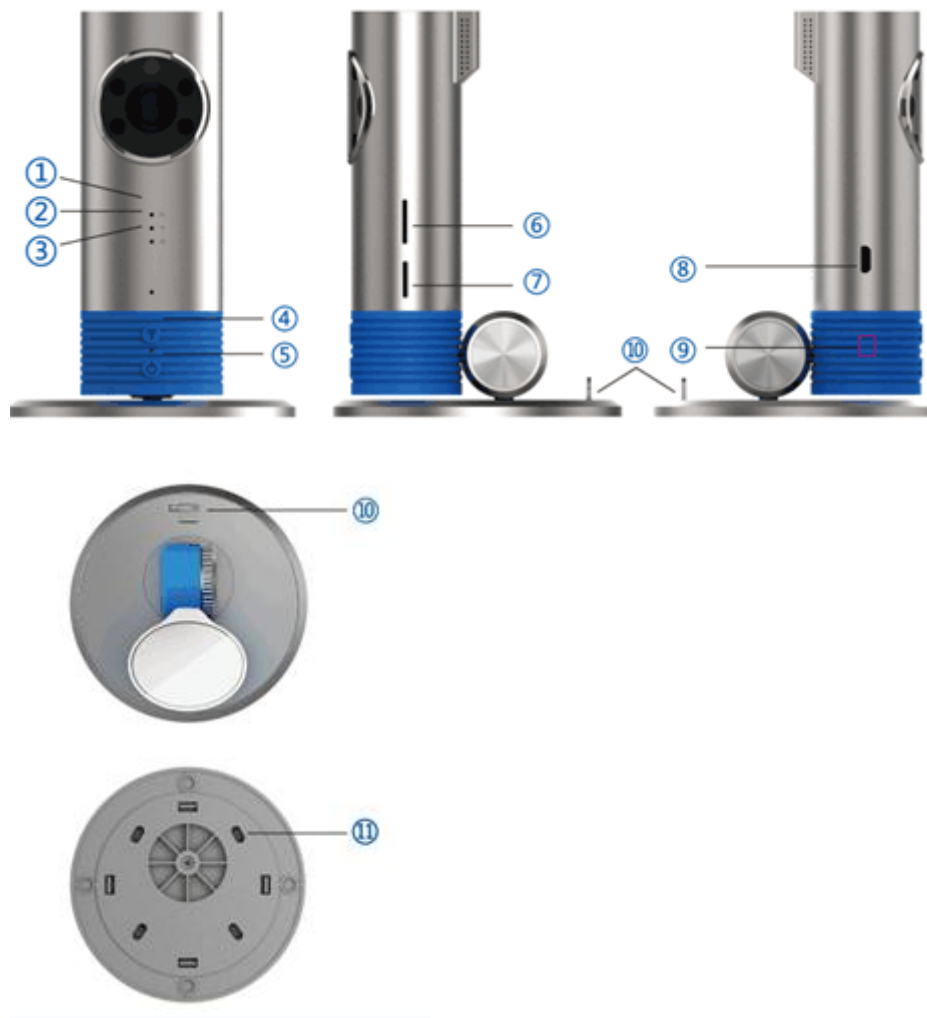


Appearance

Before installation, please read the whole instruction below, and operate as the instruction.



1. WiFi indicator
2. 3G indicator
3. Power indicator
4. Microphone
5. WiFi button
6. Power button

7. Micro SD card reader
8. SIM card reader
9. USB power cable connector
10. PUSH button (Press the button, separate the camera and support frame)
- 11.
12. Screw hole (suspension installation)

User Guide

1. Give power to the device

Kindly use 5.0V---1.5A or 5.0V---2.0A adapter to charge at the first time, and keep charging time longer than one hour. Camera could be working with power as well as power interrupt when finish charging

2. Install APP

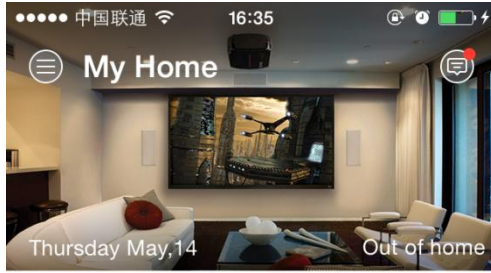
Please scan QR code at the bottom of the package, download the APP.

3. Sign up and sign in

Open APP, click 'sign up' to register, sign in if you already have an account.

4. Add device

- a) After sign up and sign in successfully, you will see home page, click the sign '+', and then choose 'camera'.



Click on the "+" to add your device



- b) After connecting device with power supply, please make sure the WiFi indicator is blue blinking. If not, Please press and hold the WiFi button for a few seconds until WiFi indicator is blue blinking, and then click 'WiFi blue flashing lights'

|Click '!' view the LED indicator state description.

- c) Add device

- Android Phone: On the page of 'search', choose new device you want to add.

- iPhone: via 'Settings' > 'WLAN' on your iPhone, connect to 'DOG-00***', then come back to here, click 'next'

- d) On the page of 'Setting WiFi', select a network to connect, type the password, then click 'Next'.

Note:

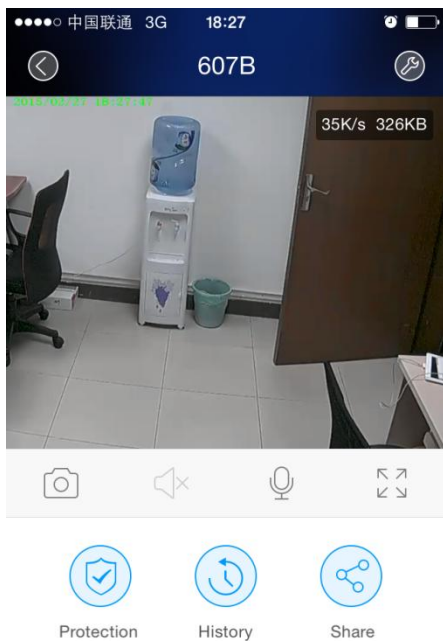
1.3G version supports 3G SIM card. Once 3G card be inserted, it will pass the step of 【Set WiFi】 automatically.

2.It will be better set a available Wifi if no 3G card inside,and it is normal p henomenon if the cellphone network switch automatically during setting

e) Add successfully, click ‘Done’, then start using.

5. Watching video

On the page of ‘Home’, click and come into ‘real-time video’



Click ‘play’, then you watch real-time video, click ‘pause’, you can stop the video display.

Click icon ‘Settings’, go to the page of ‘Function Settings’

6. Smart camera DOG-1W Indicator state

	State	Instruction
DOG-1W(WiFi)	The power light is on	Be connected to power supply
	WiFi Indicator is blue blinking	Be ready to connect with a mobile device
	WiFi Indicator is red blinking slowly	Fail to connect to a WiFi
	WiFi Indicator is blue all the time	Connect to WiFi successfully
	WiFi Indicator is blinking	System upgrading

	between color red and blue	
--	----------------------------	--

7. Parameters

Items	Specification
Product Model	DOG-1W
Outlook	gray, blue, pink, orange
Lens	HD camera, support videoing day and night
Video	H.264(CODEC), 720*576@15fps(resolution)
Voice	Microphone and speaker inside
Night Vision	Automatically enable infrared induction under low illumination
WiFi	IEEE802.11b, IEEE802.11g, IEEE802.11n
SIM card	GSM 850/1800/1900、 W-CDMA 2100MHz/850MHz
Extensible Space	Micro SD card, it can store 7 days video with 32G
Power Supply	Micro USB, Input 5V---500mA
Working enviroment	Temperature:-10~60° , Humidity:<90 %
Size	85*85*110mm

FCC Statement Warning

This equipment has been tested and found to comply with the limits for a Class B digital device, pursuant to Part 15 of the FCC rules. These limits are designed to provide reasonable protection against harmful interference in a residential installation. This equipment generates uses and can radiate radio frequency energy and, if not installed and used in accordance with the instructions, may cause harmful interference to radio or television reception, which can be determined by turning the equipment off and on. The user is encouraged to try to correct the interference by one or more of the following measures.

- Reorient or relocate the receiving antenna.
- Increase the separation between the equipment and receiver.
- Connect the equipment into and outlet on a circuit different from that to which the receiver is connected.
- Consult the dealer or an experienced radio/TV technician for help.

This equipment complies with FCC radiation exposure limits set forth for an uncontrolled environment. This equipment should be installed and operated with minimum distance 20cm between the radiator & your body.

You are cautioned that changes or modifications not expressly approved by the party responsible for compliance could void your authority to operate the equipment. The distance between user and products should be no less than 20cm.

This device complies with part 15 of the FCC Rules. Operation is subject to the following two conditions:

- (1) This device may not cause harmful interference, and
- (2) this device must accept any interference received, including interference that may cause undesired operation.