

GUARANTEED FOR LIFE

Lowe's warrants to the consumer that the product and all accessories provided in the sales package ("Product") are free from material defects in material and workmanship when used normally and in accordance with operation instructions.

Lowe's will repair or replace (at Lowe's option), without charge, a Materially Defective Product. If we repair or replace a Materially Defective Product under the terms of this warranty, this warranty also applies to repaired or replacement Products. If we repair this Product, we may use new or refurbished replacement parts. If we choose to replace this Product, we may replace it with a new or refurbished Product of the same or similar design. Lowe's will return repaired or replacement Products to you in working condition. We will retain defective parts, or equipment. Repair or replacement of Product is your exclusive remedy.

This warranty does not cover Product that has been subjected to misuse, accident, shipping or other physical damage, improper installation, abnormal operation or handling, neglect, inundation, fire, water or other liquid intrusion, or Product that has been damaged due to repair, alteration or modification by anyone other than a Lowe's authorized representative.

Customer Service:

We're here to help. If you are not fully satisfied with this product or have questions on how to use it, please call our customer service department at **866-994-4148**, 8 a.m. - 8 p.m., EST, Monday - Sunday.

You could also contact us at partsplus@lowes.com.

Visit www.lowes.com

FCC Caution:
Any changes or modifications not expressly approved by the party responsible for compliance could void the user's authority to operate this equipment.

This device complies with part 15 of the FCC Rules. Operation is subject to the following two conditions:
(1) This device may not cause harmful interference, and
(2) this device must accept any interference received, including interference that may cause undesired operation.

This equipment should be installed and operated with minimum distance 20cm between the radiator and your body.

NOTE:

This equipment has been tested and found to comply with the limits for a Class B digital device, pursuant to Part 15 of the FCC Rules.

These limits are designed to provide reasonable protection against harmful interference

in a residential installation. This equipment generates, uses and can radiate radio frequency energy and, if not installed and used in accordance with the instructions,

may cause harmful interference to radio communications.

However, there is no guarantee that interference will not occur in a particular installation.

If this equipment does cause harmful interference to radio or television reception,

which can be determined by turning the equipment off and on, the user is encouraged to

try to correct the interference by one or more of the following measures:

- Reorient or relocate the receiving antenna.
- Increase the separation between the equipment and receiver.
- Connect the equipment into an outlet on a circuit different from that to which the receiver is connected.
- Consult the dealer or an experienced radio/TV technician for help.



Magnetic Charging Vent Mount Instruction Manual



UTILITECH and logo design are trademarks or registered trademarks of LF, LLC. All Rights Reserved.

Item no: 5061445 Model# 204 1001 UT4

Questions, problems, missing parts?
Before returning to your retailer, call our customer service department at **866-994-4148**, 8 a.m. - 8 p.m., EST, Monday - Sunday. You could also contact us at partsplus@lowes.com

Thank you for purchasing the **Magnetic Charging Vent Mount**.
Please read these instructions before use.

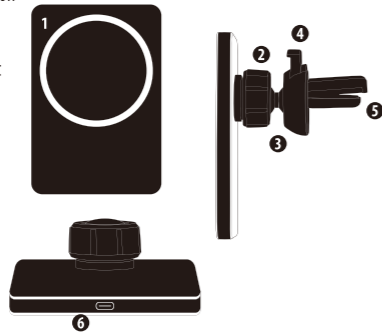
Package Contents

- Magnetic Charging Vent Mount
- Type C to USB Charging Cable
- User Manual

Components at a Glance

Magnetic Charging Vent Mount:

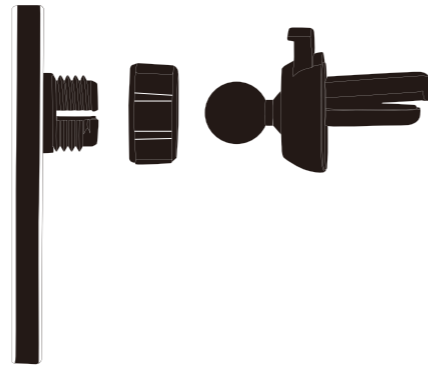
- 1 Charging Plate with Magnetic Charging Ring
- 2 Adjuster Ring
- 3 Ball Joint
- 4 Clip Release Button
- 5 Vent Clip
- 6 Type C Input Port



Getting Started

ASSEMBLING MOUNT

1. Remove charging plate and vent clip with the adjuster ring from the packaging.
2. Make sure the adjuster ring is on the ball of the vent clip. Align ball with the attachment point on the back of the charging plate and push until it clicks into place. (If the ball is unable to fit in the joint, try removing the ring and flipping it around.)
3. Partially tighten adjuster ring over the threads of the attachment point. Leave room for further adjustment after installing onto the vent.

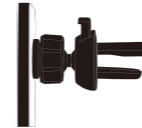


INSTALLING YOUR MAGNETIC CHARGING VENT MOUNT

1. Hold down the dip release button to open the vent clip.

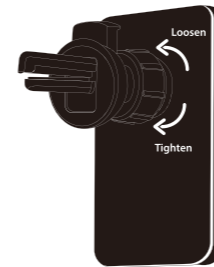


2. Push the vent clip onto the vent blades, sliding it back as far as possible.



3. Turn the ring adjuster counterclockwise to loosen the ball joint and adjust the mount to your preferred viewing angle.

4. Once the mount is in position, turn the ring adjuster clockwise to lock into place.



MOUNTING/CHARGING YOUR PHONE

1. Plug the Type C end of the charging cable into the Type C port at the bottom of the mount and the USB end into your car charger.



2. Line up the magnetic coils in your magnetic phone/phone case with the magnetic charging ring on the mount. The mount will now hold and charge your phone.

