

## KitSound

### KS XDock Qi Qi CHARGING BLUETOOTH SPEAKER DOCK

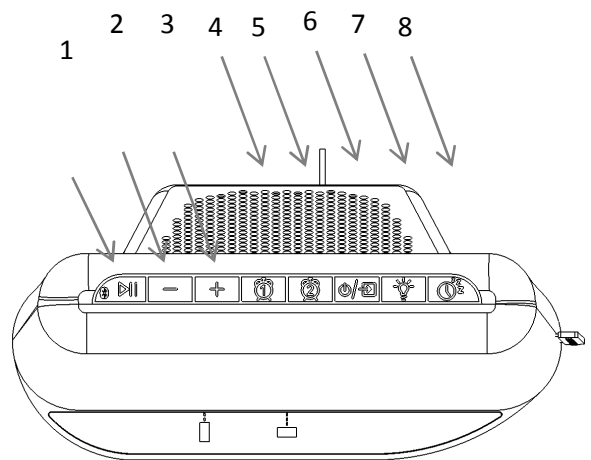
(Qi logo)

#### USER MANUAL

Please read this manual carefully before use.

#### Box contents:

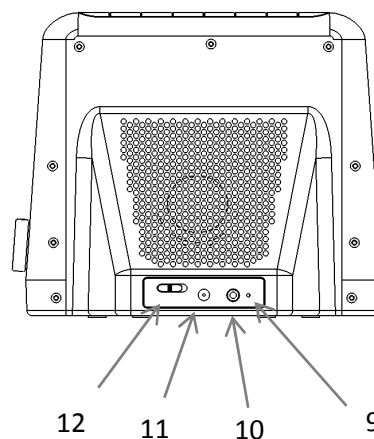
- KS XDock Qi
- AC/DC adaptor (UK & US plug attachments)
- 3.5 mm aux cable
- User manual



#### Functions

##### Top view

1. Play/pause/pair/select
2. Previous Track/Volume -/AutoScan -
3. Next Track/Volume +/AutoScan +
4. Alarm 1
5. Alarm 2
6. Standby/Mode
7. Light brightness
8. Sleep/Snooze

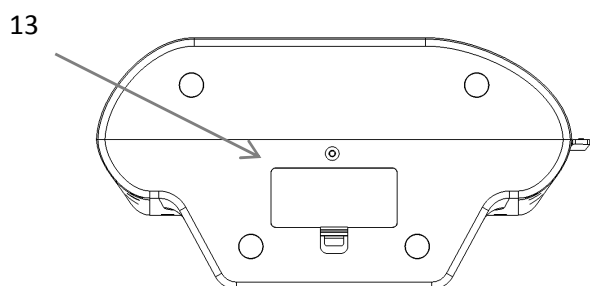


##### Rear view

9. FM antenna
10. Aux-in port
11. DC IN input
12. On/Off switch

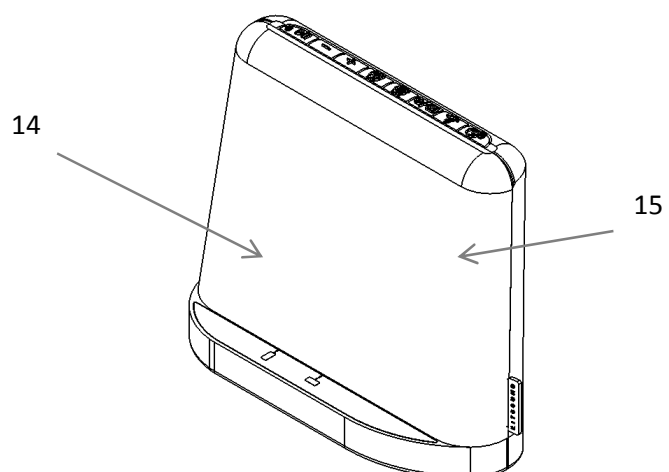
##### Bottom view

13. Battery compartment



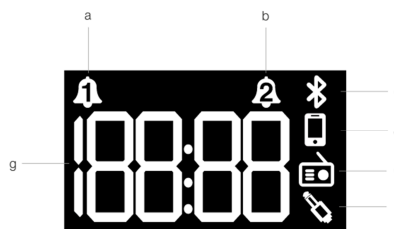
##### Front view

14. Qi charging area
15. Clock face



## Screen icons

- a. Alarm 1
- b. Alarm 2
- c. Bluetooth mode
- d. Qi charging device
- e. FM radio mode
- f. Aux mode
- g. Time display



**Note:** To prevent the overheating of device or product, the KS XDockQi has built-in Foreign Object Detection (FOD). This is a safety mechanism that automatically interrupts power delivery if any foreign object that can absorb energy (such as a coin, paper clip, or other metallic/magnetic object) is detected.

## Installing the backup battery for clock and alarm settings

In order to offer consistent clock settings and alarm functions, the unit uses a backup battery system. This means that in the event of a power failure, all the settings (clock, alarms and FM presets) of the unit will remain saved.

**Note:** The XDock Qi will NOT power on with battery power alone, the batteries are for settings backup only.

1. Make sure the connection between the Mains plug and the XDock Qi is secure. This is important, because during battery replacement it is possible for all settings to be lost if clock and alarm have already been set
2. Locate and open the Battery compartment (13) on the bottom of the unit
3. Insert two AAA batteries\*, following the correct polarity (+/-) drawings inside the battery compartment. For longer battery life, alkaline batteries are recommended

\*Batteries are not included

**Note:** New and used batteries should not be mixed. Likewise, alkaline, standard (carbon-zinc) or rechargeable (nickel-cadmium) batteries should not be mixed and used together.

## LED light indication

Pairing mode	Bluetooth icon (c) - Flash white quickly for new device pairing  Bluetooth icon (c) - Flash white slowly for auto reconnection to last paired device
Paired in Bluetooth® mode and playing audio	Bluetooth icon (c) - Solid white

Paired in Bluetooth® but not playing audio	Bluetooth icon (c) - Solid white
Aux-in mode	Aux icon (f) - Solid white
Radio mode	Radio icon (e) - Solid white
Qi charging	Qi device charging (d) - Solid white Qi device finished charging (d) - Off
Alarm 1	On - Solid white, Off – No light
Alarm 2	On - Solid white, Off – No light

**Note:** To factory reset the XDock Qi:

1. Unplug the XDock Qi from power
2. Press and hold the Standby/Mode button (6) while plugging the power adaptor in DC IN input (11)
3. The XDock Qi will now factory reset

### Basic use

#### Turning the XDock Qi on/off

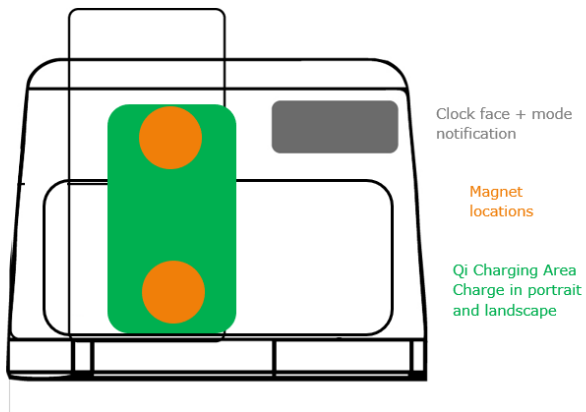
1. Firstly, make sure the Mains plug is connected and the ON/OFF switch (12) on the rear of the unit is in the 'ON' position
2. Now press (don't hold) Standby/Mode (6)
3. To put the XDock Qi in standby mode, whilst in Radio/Bluetooth/Aux mode, press and hold Standby/Mode (6) for 3 seconds

**Note:** Pressing Standby/Mode (6) will cycle through the Aux (f)/Bluetooth (c) and Radio modes (e)

### Qi Charging

To start Qi charging your device, simply place your device on the area shown on the base. This will work in any mode including standby. See **page 10** for more information

The Qi charging area allows your device to charge in both landscape and portrait orientation. Please make sure that the centre of your device aligns with the marking on the base. See below example image.



### How to avoid slow Qi charging

You can charge your device on the Qi charging area with the case on, but devices with cases on will charge slower than those with no case. The thickness of the case will also affect how much slower the device charges compared to those without a case.

### How to prevent charge not functioning

**Note: To prevent the overheating of device or product, the KS XDock Qi has built-in Foreign Object Detection (FOD). This is a safety mechanism that automatically interrupts power delivery if any foreign object that can absorb energy (such as a coin, paper clip, or other metallic/magnetic object) is detected.**

If you use a metal plate with your case to magnetically hold it in your car, please remove it as FOD will stop the device from Qi charging.

Note: Consult your device's product manual for your Qi coil charging location.

### XDock Qi behaviour when initiating or stopping Qi charging

The XDock Qi can behave in several ways when you place/remove your device to initiate/stop Qi charging:

1. If your XDock Qi is playing the radio when you start Qi charging, or when you remove your device, the radio will continue to play. If you want to play music via Bluetooth, you'll have to change mode.
2. When you place your device onto the XDock Qi, Bluetooth pairing is initiated and the phone will start to charge and pair to the XDock Qi. If you start playing music on your device the audio will be played through the XDock Qi.
3. When you remove your device from the XDock Qi while you are playing music via Bluetooth, it will continue to play. If you stop the music on your device the Bluetooth connection will turn off after 15 minutes.

### Setting the clock

1. With the XDock Qi in standby mode, long press Play/pause (1) and it will automatically enter 24H mode
2. Press Plus Icon (3) or Minus Icon (2) to increase or decrease the hours, then press Play/pause (1) to confirm
3. Press Plus Icon (3) or Minus Icon (2) to increase or decrease the minutes, then press Play/pause (1) to confirm
4. The time will now be set

Note: To make sure the time set is not lost during a power cut, please insert 2 AAA batteries (not included) into the battery compartment (13).

### **Important note before setting alarms**

If you want to wake up to the radio, set the radio station you want first before setting the alarm. Go to radio mode, choose your station. Then follow the setting Alarm 1 & 2 instructions below.

#### **Setting Alarm 1**

1. Long press Alarm 1 (4) to start the set up
2. Press Next (3) or Previous (2) to select between Buzzer or Radio to wake you up, followed by Alarm 1 (4) to confirm
3. Press Plus Icon (3) or Minus Icon (2) to change the hours, followed by Alarm 1 (4) to confirm
4. Press Plus Icon (3) or Minus Icon (2) to change the minutes, followed by Alarm 1 (4) to confirm
5. Press Plus Icon (3) or Minus Icon (2) to change the alarm volume, followed by Alarm 1 (4) to confirm
6. The alarm is now set

Note: the Plus Icon (3) or Minus Icon (2) will become Next and Previous during the alarm setup in any mode.

#### **Setting Alarm 2**

1. Long press Alarm 2 (5) to start the set up
2. Press Next (3) or Previous (2) to select between Buzzer or Radio to wake you up, followed by Alarm 2 (5) to confirm
3. Press Plus Icon (3) or Minus Icon (2) to change the hours, followed by Alarm 2 (5) to confirm
4. Press Plus Icon (3) or Minus Icon (2) to change the minutes, followed by Alarm 2 (5) to confirm
5. Press Plus Icon (3) or Minus Icon (2) to change the alarm volume, followed by Alarm 2 (5) to confirm
6. The alarm is now set

### **Snooze**

Short press Sleep/snooze (8) during the alarm sounding to snooze for 9 minutes.

### **Stop the alarm**

When the alarm is sounding, pressing the relating alarm button Alarm 1 (4) or Alarm 2 (5) will stop the alarm sounding. However, this will not switch off the alarm set.

### **Cancel the set alarms**

With the XDock Qi in any mode, press Alarm 1 (4) or Alarm 2 (5) once. The Alarm 1 (4) or Alarm 2 (5) icons respectively will disappear from the screen.

### **Adjusting the screen brightness**

With the XDock Qi in any mode, press Light brightness (7) to cycle through (Off, High brightness, Medium brightness and Low brightness).

### **Sleep timer**

If you want the XDock Qi to switch off after a set time, follow the below instructions. This is best used when falling asleep to the radio.

With the XDock Qi in any mode, press Sleep/snooze (8) to cycle through (15 minutes, 30 minutes, 45 minutes, 60 minutes and off).

### **Playing music**

#### **Pairing the XDock Qi via Bluetooth**

1. Press the Standby/Mode button (6) to cycle through the input selection to Bluetooth mode (c)
2. The XDock Qi will automatically enter pairing mode, indicated by the flashing Bluetooth icon (c)
3. Turn your iOS, Android, or Windows device's Bluetooth ON and search for new devices
4. Select 'KS XDock Qi'. If asked for a passcode, enter '0000', and the device will pair
5. An audio tone will sound to confirm pairing and the Bluetooth icon (c) will stop flashing
6. Audio volume can be controlled using Volume + (3) and Volume – (2)
7. Audio playback can be paused using the Play/pause button (1) and skipped using long press Next track (3) or Previous track (2)

#### **Re-pairing or pairing new devices**

1. Turn Bluetooth connectivity off on any previously paired devices
2. Follow instructions 3 – 7 of 'Pairing the XDock Qi via Bluetooth' section

**Note:** If a previously paired device is not present within the wireless connectivity range then the speaker will re-enter pairing mode.

**Note:** The XDock Qi's internal amplifier will go to standby after 15 minutes of no music activity.

### **Aux mode**

The aux input allows you to use most other smartphones/tablets/MP3 players etc. with the XDock Qi.

To use the aux input:

1. Plug one end of an aux cable into the Aux-in port (10)
2. Plug the other end of the aux cable into your device
3. If the XDock Qi is in standby mode, press Standby/Mode (6) to cycle through the input selection to Aux mode
4. Once Aux mode is selected, music will then play through the XDock Qi
5. The volume can be adjusted on both your device and the XDock Qi

**Note:** The Play/pause (1) and skip track (2 and 3) functions on the XDock Qi will not operate in Aux mode.

**Note:** The XDock Qi's internal amplifier will go to standby after 15 minutes of no music activity.

## **FM radio**

### **To use the FM radio**

1. If the XDock Qi is in standby mode, long press Standby/Mode (6)
2. Press Standby/Mode (6) to cycle through the input selection to FM radio mode, this will be displayed on the screen (15)
3. To automatically scan for the next station, long press AutoScan+ Icon (3) or AutoScan- Icon (2) until the numbers start scrolling for the next station

**Note:** Manually tuning the XDock Qi is not available

### **Saving preset stations**

1. Tune into a station you want to save into a preset
2. Short press Play/pause (1) until the screen displays 'ch' and a number between 1 and 10
3. To change the preset number, press AutoScan Icon (3) or AutoScan- Icon (2)
4. Short press Play/pause (1) to confirm the preset number
5. Repeat steps 1 – 4 to save up to 30 stations in total

### **To recall a preset**

1. Long press Play/pause (1) while in radio mode and the MEM icon will appear along with 'ch' and a number between 1 and 10
2. To change the preset number, press Plus Icon (3) or Minus Icon (2)
3. Short press Play/pause (1) to confirm and listen to the station set to that preset number

### **Please note**

Your device will have an internal amplifier and if it is playing digital files like MP3s, it will also have an integrated DAC (Digital Audio Converter). If you turn the volume up to 100%, your device will be sending a distorted signal. To avoid this, and to get the best quality from the speaker, we recommend that you do not run your device any higher than 95% volume. Some devices output higher than others, so you may need to reduce the volume if you experience distortion.

### **Care for your XDock Qi**

#### **Please DON'T:**

- Get the XDock Qi wet
- Drop the XDock Qi as this will invalidate your warranty
- Open up the XDock Qi as there are no user serviceable parts inside
- Use any other AD/DC adaptor than the one supplied
- Expose the XDock Qi to extreme temperatures or rapid changes of hot to cold or vice versa
- **Warning: Batteries (battery pack or batteries installed) shall not be exposed to excessive heat such as sunshine, fire or the like**

**Please DO:**

- Clean the XDock Qi with a soft dry cloth and no detergents

**Specifications:**

Bluetooth technology	
Bluetooth connectivity range	Up to 10 m
Transmission Frequency band	2402 – 2408 MHz
Transmission Power	Class II <2.5 mW(4 dBm)
Qi charging Wattage	10
Qi charging operating frequency band	105 KHz – 205 KHz
FM frequency response	87.5 – 108 MHz
S/N	55 dB
Frequency response	100 Hz – 20 KHz
Drivers	1 x 40 mm
Output RMS	5 W
Number of alarms	2
Power source	DC 9 V, 2 A
Dimensions (mm)	H171x W201 x D128
Weight	0.46 Kg

**Troubleshooting**

We hope you've now got all the information you need to get started, but if you're having problems with anything, please feel free to contact us at: [support@kitsound.co.uk](mailto:support@kitsound.co.uk)

- 1) Warning: Changes or modifications not expressly approved by the party responsible for compliance could void the user's authority to operate the equipment.
- 2) **NOTE:** This charging pad has been tested and found to comply with the limits for an ISM equipment, pursuant to part 18 of the FCC Rules. These limits are designed to provide reasonable protection against harmful interference in a residential installation. This charging pad generates, uses and can radiate radio frequency energy and, if not installed and used in accordance with the instructions, may cause harmful interference to radio communications. However, there is no guarantee that interference will not occur in a particular installation. If this equipment does cause harmful interference to radio or television reception, which can be determined by turning the equipment off and on, the user is encouraged to try to correct the interference by one or more of the following measures:
  - Reorient or relocate the receiving antenna.
  - Increase the separation between the equipment and receiver.
  - Connect the equipment into an outlet on a circuit different from that to which the receiver is connected.
  - Consult the dealer or an experienced radio/TV technician for help.

This device complies with Part 18 of FCC Rules



Hereby, Kondor Ltd declares that the radio equipment type, XDOCK **Qi CHARGING BLUETOOTH SPEAKER DOCK**, is in compliance with Directive 2014/53/EU.

The full text of the EU declaration of conformity is available at the following internet address:

<http://kondor.co.uk/product-documents>

**US Responsible Party Information**

Name: **Mobileistic, LLC**

Address: **205 Marcus Boulevard, Hauppauge, New York 11788**

Telephone: **631-531-9500**

Email: **support@mobileistic.com**

FCC ID: 2ADFF-KSXDOCKQI

This device complies with Part 15 of the FCC Rules. Operation is subject to the following two conditions: (1) this device may not cause harmful interference, and (2) this device must accept any interference received, including interference that may cause undesired operation.

Warning: Changes or modifications not expressly approved by the party responsible for compliance could void the user's authority to operate the equipment.

NOTE: This equipment has been tested and found to comply with the limits for a Class B digital device, pursuant to part 15 of the FCC Rules. These limits are designed to provide reasonable protection against harmful interference in a residential installation. This equipment generates, uses and can radiate radio frequency energy and, if not installed and used in accordance with the instructions, may cause harmful interference to radio communications. However, there is no guarantee that interference will not occur in a particular installation. If this equipment does cause harmful interference to radio or television reception, which can be determined by turning the equipment off and on, the user is encouraged to try to correct the interference by one or more of the following measures:

- Reorient or relocate the receiving antenna.
- Increase the separation between the equipment and receiver.
- Connect the equipment into an outlet on a circuit different from that to which the receiver is connected.
- Consult the dealer or an experienced radio/TV technician for help.

IC: 23562 – KSXDOCKQI

This device contains licence-exempt transmitter/receiver that comply with Innovation Science and Economic Development Canada's licence-exempt RSSs. Operation is subject to the following two conditions:

- (1) This device may not cause interference; and

(2) This device must accept any interference, including interference that may cause undesired operation of the device.

L'émetteur/récepteur exempt de licence contenu dans le présent appareil est conforme aux CNR d'Innovation, Sciences et Développement économique Canada applicables aux appareils radio exempts de licence. L'exploitation est autorisée aux deux conditions suivantes :

- 1) L'appareil ne doit pas produire de brouillage;
- 2) L'appareil doit accepter tout brouillage radioélectrique subi, même si le brouillage est susceptible d'en compromettre le fonctionnement.

The use and operation of this speaker is beyond our control. Warranty of the KS XDock Qi is limited to defects caused by faulty manufacture or defects in materials only. No warranty whatsoever is given or implied for damage caused by the user under any circumstances.

This does not affect your statutory rights.

Please do not attempt to open this product. There are no user serviceable parts inside. If your product has an embedded, non-replaceable battery, do not attempt to access or remove the battery. This may cause personal injury and will damage the product.

Making any attempt to open the product or carry out repair voids any and all warranties.

We apologise for any inconvenience caused by minor inconsistencies in these instructions, which may occur as a result of product improvement and development.

Please recycle this packaging responsibly.

Your product and batteries must be recycled or disposed of properly.

Products showing the 'Crossed Through' wheellie bin symbol must be recycled separately from household waste at the end of their useful life. Please DO NOT dispose of this appliance in normal household waste. Your local appliance retailer may operate a 'take-back' scheme when you are ready to purchase a replacement product, alternatively contact your local government authority for further help and advice on where to take your appliance for recycling.

The Bluetooth® word mark and logos are registered trademarks owned by the Bluetooth SIG, Inc. and any use of such marks by Kondor Ltd. is under license. Other trademarks and trade names are those of their respective owners.

The 'Qi' symbol is a trademark of the Wireless Power Consortium.

Please recycle this packaging responsibly.





■ Please refer to the enclosed manual for further information. (this is from the packaging copy???)

JB. 6553\_a/Made in China. © KitSound is a trademark of Kondor Limited, 2017  
Christchurch, Dorset, BH23 4FL, UK