

REG05 – International – USA, EU, AUS

FRONTCOVER



KSSLA70

KitSound SLAM 70 Bluetooth Party Speaker

Owner's Manual

INNER LEAF

**Please read this manual carefully before use.**



**WARNING**

- Please do not get the product wet. If your product is IP rated, please follow guidelines on how to safely use your product overleaf.
- Please don't take the product apart. There are no user serviceable parts inside
- Please don't modify or alter the product or accessories
- Please don't expose the product to extreme temperatures or rapid changes of hot to cold or vice versa
- Please don't use damaged cables or plugs, or loose electrical sockets
- Please don't touch the device, cables, plugs, or the electrical socket with wet hands or other wet body parts
- Please don't pull the cable excessively when disconnecting it if the cable is not fixed
- Please don't bend or damage the cable
- Please don't drop or cause an impact to the product or the device
- Please don't place naked flame sources, such as lighted candles, on the product

**Battery Information**

- Batteries may malfunction if they are not used for extended periods
- Over time, unused devices will discharge and must be recharged before use
- Disconnect the charger from power sources when not in use
- Use the batteries only for their intended purposes
- Follow all instructions in this manual to ensure the longest lifespan of your device and battery. Damages or poor performance caused by failure to follow warnings and instructions can void your manufacturer's warranty
- Batteries (battery pack or batteries installed) shall not be exposed to excessive heat such as sunshine, fire or the like


- Please do not dispose of the battery in a fire or an oven, or mechanically crush or pierce the battery, as this may result in an explosion.
- Please do not subject the battery to extremely low air pressure, which may result in an explosion and/or the release of flammable liquid or gas

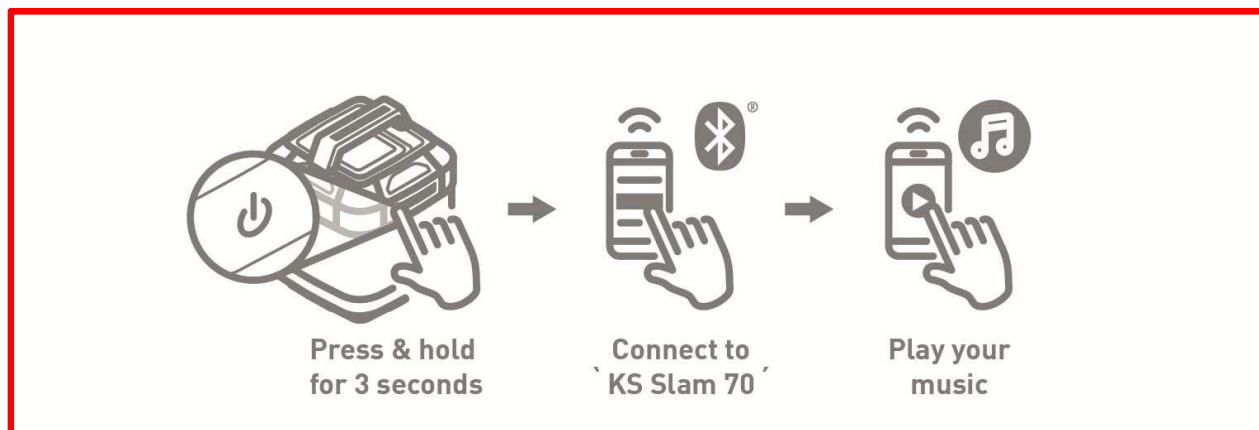
### **IP 67**

The speaker is rated IP67. The 6 means that the Slam 70 is protected against dust and contact. No ingress of dust permitted. The 7 means it protects from ingress of water when the enclosure is immersed in water at a depth of 1m for up to 30 minutes.

- To ensure that the Slam 70 is water resistant, please remove all cable connections and tightly close the AUX/DC IN cap; exposing the speaker to liquids without doing so may result in permanent damage to the speaker.
- Do not expose the Slam 70 to water while charging; this is very dangerous as doing so may result in personal injury and permanent damage to the speaker or power source.
- IP67 rating is defined as the Slam 70 can stand immersion of 1 metre for up to 30 minutes.
- We do not recommend leaving the Slam 70 outside at night time in wet conditions or when it's raining. Store in a dry place while not in use, this will prolong the speakers life.

## Quick Start Guide

1. **Power On** by pressing  Power button for 2 seconds.
2. Turn on your device's Bluetooth and **connect to 'KS Slam 70'**.



**Change to 'Press & hold for 2 seconds' ^**

### Change up the Lighting and Boost the Sound

1. Follow the **Quick Start Guide** instructions.
2. Use the buttons on the handle control panel to adjust lighting, add strobes and change up the audio modes.



**Chill Modes**



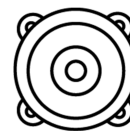
**Party Mode**



**Lighting / Strobes**



**Colour Selection**



**360 Sound**

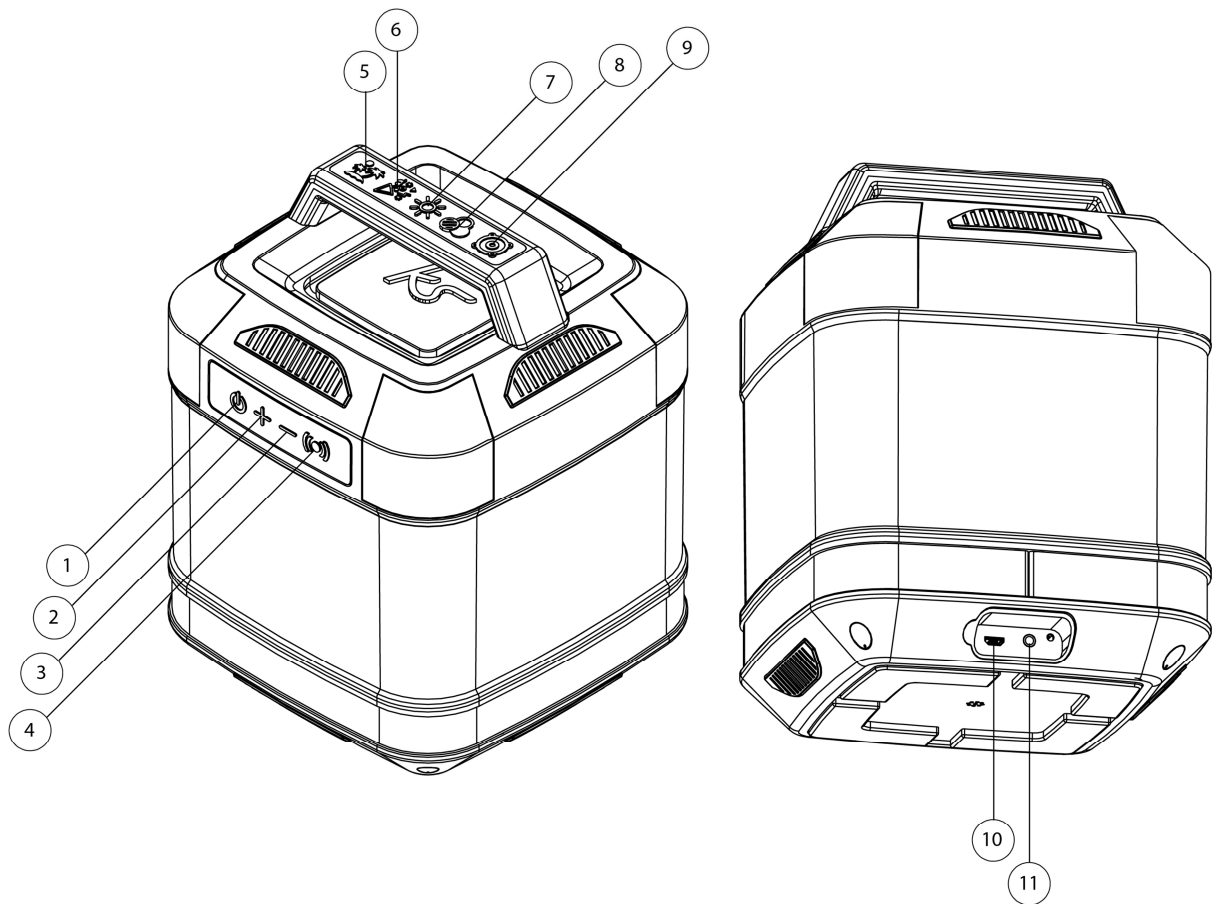
Further information on connecting to the speaker, and instructions on how to use all of the product features, can be found in the following pages of this manual.

## Box contents

- KS SLAM 70 Bluetooth Speaker
- User manual
- 3.5 mm aux cable
- Micro USB charge cable

## Functions

1. Power Button
2. Volume+/Next track
3. Volume-/Previous track
4. Pairing Button
5. Chill Mode Button
6. Party Mode Button
7. Lighting / Strobe Button
8. Colour Button
9. 360 Sound Button
10. Micro USB Charging Port
11. Aux-in Port



## Instructions for use

### Getting started

#### Charging the battery:

Give the speaker a full charge before its first use:

1. Connect the supplied Micro USB charging cable to the Micro USB charging port (10) and plug into power
2. The Power button (1) will be solid red whilst charging which will take up to 7 hours
3. Once fully charged the Power button (1) will turn white

#### Note:

- Allow up to 7 hours for the first charge. You can play your speaker whilst it is being charged, but this will affect the charging time.
- Due to the large battery in the Slam 70 we recommend regularly charging the battery whenever practical. This will also help to ensure the longevity of the battery's life.
- The Slam 70 can be charged by a power bank (portable charger) via a micro USB cable. Therefore you may consider taking a power bank (portable charger) when planning on using the Slam 70 for extended periods away from mains charge capability.
- When the battery is in power saving mode, the Slam 70 volume will be limited to 50%. Please recharge the battery further if you wish to increase the volume.

#### LED lights indication

Pairing mode	Pairing button (4) will flash red every 1 second
Paired in Bluetooth® mode	Pairing button (4) will turn white
TWS pairing multiple Slam 70 speakers	Pairing button (4) will flash red twice every second
TWS Paired (master speaker)	Pairing button (4) will be solid white
TWS Paired (Slave speaker)	Pairing button (4) will be solid white
Battery low	Power button (1) will flash red every 10 seconds
Charging battery	Power button (1) will be solid red
Charging complete (around 95%)	Power button (1) will be solid white
Indoor 360 Sound ON	360 Sound button (9) will be solid red
Outdoor 360 Sound ON	360 Sound button (9) will flash red once every 3 seconds
Shelf Sound ON	360 Sound button (9) will be solid white
Party Mode lighting ON	Party Mode button (6) will be solid red

Chill Mode lighting ON	Chill mode button (5) will be solid red
------------------------	---

### **Pairing the Slam 70 to your device**

1. Press Power button (1) for 2 seconds to turn the speaker on and it will automatically enter pairing mode
2. Turn your iOS, Android, or Windows device's Bluetooth ON and search for new devices
3. Select 'KS Slam 70'. If asked for a passcode, enter '0000', and the device will pair
4. Once connected the Pairing button (4) will turn white.

### **Re-pairing or pairing new devices**

1. Turn Bluetooth connectivity off on any previously paired devices

OR

2. Press the Pairing button (4) to re-enter pairing mode
3. Follow the 'Pairing the Slam 70 to your device' instructions

**Note:** If a previously paired device is not present within the Bluetooth connectivity range then the speaker will re-enter pairing mode.

### **TWS pairing two KS Slam 70 speakers**

1. Press Power button (1) to turn on both of the Slam 70 speakers that you wish to pair together. Both speakers will automatically enter pairing mode.
2. Double press the Pairing Button (4) on either of the speakers and it will enter TWS pairing. The pairing button (4) will flash red on the master speaker.
3. Once connected in TWS pairing both speakers will commence party lighting in sync.
4. Follow the 'Pairing the KS Slam 70 to your device' instructions to pair your device to either Slam 70.
5. Once connected the Pairing button (4) will turn white.

### **Disconnecting two KS Slam 70 speakers from TWS**

Double press the pairing button (4) on either of the paired speakers to disconnect them from TWS pairing.

## **Playing music on your speaker**

### **Bluetooth**

When connected via Bluetooth, play music on your device and the sound will play through the speaker. Some devices may require you to select the audio output.

## Auxiliary

Plug the Aux cable into the speaker's Aux-in Port (11) and your device using the supplied cable.

### Auxiliary and TWS pairing

1. Ensure both speakers are paired before you connect the aux cable to the master speaker. Follow instructions for 'TWS pairing two KS Slam 70 speakers'.
2. Connect the aux cable to the master speaker. The Master speaker can be identified as the speaker with the Pairing button (4) flashing red.
3. Once connected, pairing button (4) will now be white on both speakers.

Once connected to the Slam 70 either wired or by Bluetooth, please follow the instructions on next page:

Function	Bluetooth mode	Auxiliary mode
Turn Off/On	Hold Power button (1) for 2 seconds	Hold Power button (1) for 2 seconds
Volume+	Short press Volume + button (2), or use your device	Short press Volume + button (2), or use your device
Volume-	Short press Volume - button (3), or use your device	Short press Volume - button (3), or use your device
Next Track	Hold down Volume + button (2) for 3 seconds	N/A
Previous Track	Hold down Volume - button (3) for 3 seconds	N/A
Play/Pause Track	Short press Power button (1)	Short press Power button (1)
Pair with device	Short press Pairing button (4)	N/A
Pair speakers with TWS	Double press Pairing button (4) on one of the units	Double press Pairing button (4) on one of the units
Remove speaker from TWS	Double press Pairing button (4) on one of the units	Double press Pairing button (4) on one of the units
Select Chill Mode Lighting	Short press Chill mode button (5) to toggle between the three Chill modes	Short press Chill mode button (5) to toggle between the three Chill modes
Select Party Mode Lighting	Short press Party mode button (6)	Short press Party mode button (6)
Strobe Lighting On/Off*	Short press Lighting button (7)	Short press Lighting button (7)
Increase Light Brightness	Hold down Lighting button (7) and press Volume + button (2)	Hold down Lighting button (7) and press Volume + button (2)
Decrease Light Brightness	Hold down Lighting button (7) and press Volume - button (3)	Hold down Lighting button (7) and press Volume - button (3)
Change Light Colour	Short press Colour button (8) to toggle between colours	Short press Colour button (8) to toggle between colours
360 Sound Modes	Short press Sound Boost button (9) to toggle between	Short press Sound Boost button (9) to toggle between

	modes	modes
Factory Reset**	Hold down Power button (1) and Volume + button (2) for 10 seconds	Hold down Power button (1) and Volume + button (2) for 10 seconds

\*Strobe lighting is only available in Party Mode.

\*\* If you preform a factory reset we recommend turning the speaker off and back on again, otherwise you may experience difficulties with TWS pairing.

## Light mode controls

The Slam 70 has four different light modes. These include Chill mode 1, 2 and 3, as well as Party mode. Within Party mode there is the additional option to add strobe lighting.

Light Mode	Button	Description
Chill Mode 1	Chill mode button (5)	Multicolour ambient lighting with various colour wave transitions.
Chill Mode 2	Chill mode button (5)	Single colour pulsing ambient lighting. The lighting colour can be changed using the colour button (8).
Chill Mode 3	Chill mode button (5)	Single colour ambient light. The lighting colour can be changed using the colour button (8).
Party Mode	Party mode button (6)	Multicolour party lighting that follows the beat of the music and with additional colour transitions.
Strobe Mode*	Lighting button (7)	Enter Party mode first then use Lighting button (7) to add strobe lighting to the Party mode sequence.

\*Strobe lighting is only available in Party Mode.

## Light brightness controls

The brightness of the lighting can be adjusted using the lighting button.

1. Hold down the lighting button (7) and short press Volume + (2) to increase brightness
2. Hold down the lighting button (7) and short press Volume – (3) to decrease brightness.

Using the brightness controls above will allow you to adjust the light brightness manually.



## Light Synchronisation Reset

If strobe lighting appears to be unsynchronised then we recommend that you exit Party mode by pressing the Chill mode button (5) and then re-entering Party Mode by pressing Party mode button (6).

## Sound Modes

Slam 70 offers three different sound modes. These include Indoor 360, Outdoor 360 and Shelf. Use the 360 Sound button (9) to toggle between the three different modes.

Sound Mode	Button Colour	Description
Indoor 360	Solid Red	360 degree audio, tuned for listening indoors.
Outdoor 360	Flashing Red	360 degree audio, tuned for listening in outdoors.
Shelf	Solid White	Directional sound from the front of the speaker, perfect for listening whilst the Slam 70 is against a wall or in the corner of a room.

## Battery Protection Mode

For all night long parties, we recommend connecting the speaker to power via the micro USB cable, or taking a power bank with you. We recommend using a 2.1 amp power bank for charging your Slam 70.

If you don't own a power bank, please contact Kitsound. We will be able to recommend power banks for purchase.

To keep the party going as long as possible, use the following guide to manage the battery playtime.

With Lights ON			
Volume Level	Regular Playtime	Battery Protection Mode Playtime	Charge time to exit the Battery Protection mode
100%	4.5 hours	15 minutes	Up to 1 hour and 20 mins
70%	10.5 hours	25 minutes	Up to 1 hour

With Lights OFF			
Volume Level	Regular Playtime	Battery Protection Mode Playtime	Charge time to exit the Battery Protection mode
100%	6 hours	20 minutes	Up to 45 mins
70%	17 hours	35 minutes	Up to 35 mins

**Please note:**

- Your Slam 70 will enter Battery Protection Mode when the battery is low in order to prolong the playtime.
- Charge the Slam 70 before or as soon as it enters Battery Protection Mode in order to prolong the battery life and to ensure that it is always chargeable.
- The volume in Battery Protection Mode will be limited to 50%.
- If your Slam 70 is out of battery it will take up to 1 hour and 20 minutes to charge up and exit Battery Protection Mode, if you are playing music at 100% volume.
- Your Slam 70 will not fully charge if you are playing music at high volume and the lights are on.

## Specifications

Bluetooth® technology v5	
Bluetooth connectivity distance	up to 10 m
Bluetooth Frequency Band	2402 – 2480MHz
Transmission power	4 dBm (conducted)
S/N	73 dB
Frequency response	60 Hz – 20 kHz
Drivers	4 x 38mm, 1 x 102mm
Output RMS	30W
Battery	Li-ion 18650
Play time	up to 15 hours
Charging time	up to 7 hours
IP ratings	IP67
Working temperature	-5°C ~ +45°C
Speaker size (mm)	H230mm x W175mm x D175mm
Cable length	500 mm
Weight	2.35 Kg

## Troubleshooting

We hope you've now got all the information you need to get started, but if you're having problems with anything, please feel free to contact us at: [support@kitsound.co.uk](mailto:support@kitsound.co.uk)

'Hereby, Kondor Ltd declares that the radio equipment type, KSSLA70, is in compliance with Directive 2014/53/EU. The full text of the EU declaration of conformity is available at the following internet address: <http://kondor.co.uk/product-documents>.'

## FCC ID: 2ADFF-KSSLA70

This device complies with Part 15 of the FCC rules. Operation is subject to the following two conditions:

- (1) this device may not cause harmful interference, and
- (2) this device must accept any interference received, including interference that may cause undesired operation.

Warning: Changes or modifications not expressly approved by the party responsible for compliance could void the user's authority to operate the equipment.

NOTE: This equipment has been tested and found to comply with the limits for a Class B digital device and ISM equipment, pursuant to part 15 of the FCC Rules respectively. These limits are designed to provide reasonable protection against harmful interference in a residential installation. This equipment generates, uses and can radiate radio frequency energy and, if not installed and used in accordance with the instructions, may cause harmful interference to radio communications. However, there is no guarantee that interference will not occur in a particular installation. If this equipment does cause harmful interference to radio or television reception, which can be determined by turning the equipment off and on, the user is encouraged to try to correct the interference by one or more of the following measures:

- Reorient or relocate the receiving antenna.
- Increase the separation between the equipment and receiver.
- Connect the equipment into an outlet on a circuit different from that to which the receiver is connected.
- Consult the dealer or an experienced radio/TV technician for help

The use and operation of this product is beyond our control. Warranty of the KitSound Slam 70 is limited to defects caused by faulty manufacture or defects in materials only. No warranty whatsoever is given or implied for damage caused by the user under any circumstances.

This does not affect your statutory rights.

Please do not attempt to open this product. There are no user serviceable parts inside. If your product has an embedded, non-replaceable battery, do not attempt to access or remove the battery. This may cause personal injury and will damage the product.

Making any attempt to open the product or carry out repair voids any and all warranties.

Please do not dispose of the battery into fire or a hot oven, or mechanically crush or cut the battery as this can result in an explosion. Please also note that a battery subjected to extremely low air pressure may result in an explosion or the leakage of flammable liquid or gas.

We are sorry for any inconvenience caused by minor inconsistencies in these instructions, which may occur as a result of product improvement and development.

BACKCOVER

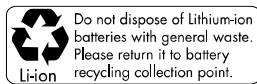


The Bluetooth® word mark and logos are registered trademarks owned by the Bluetooth SIG, Inc. and any use of such marks by Kondor Ltd. is under license. Other trademarks and trade names are those of their respective owners.

All trademarks are acknowledged as the property of their respective owners. Unless otherwise stated their use does not imply that the trademark owner is affiliated with KitSound or endorses the products herein.

Products showing the 'Crossed Through' wheelie bin symbol must be recycled separately from household waste at the end of their useful life. Please DO NOT dispose of this appliance in normal household waste. Your local appliance retailer may operate a 'take-back' scheme when you are ready to purchase a replacement product, alternatively contact your local government authority for further help and advice on where to take your appliance for recycling.

Please recycle this packaging responsibly.



JB. 6774-x/REG05/KSSLA70/Made in China. © KitSound is a trademark of Kondor Limited, 2019. Christchurch, Dorset, BH23 4FL, UK