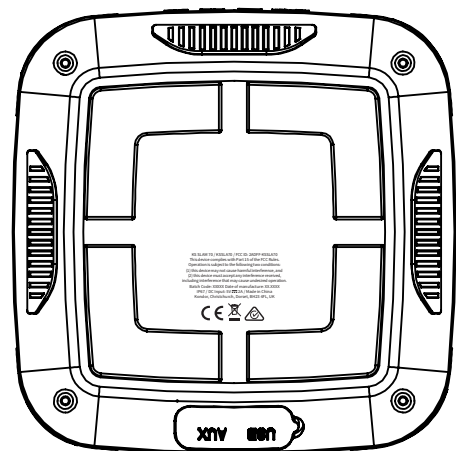
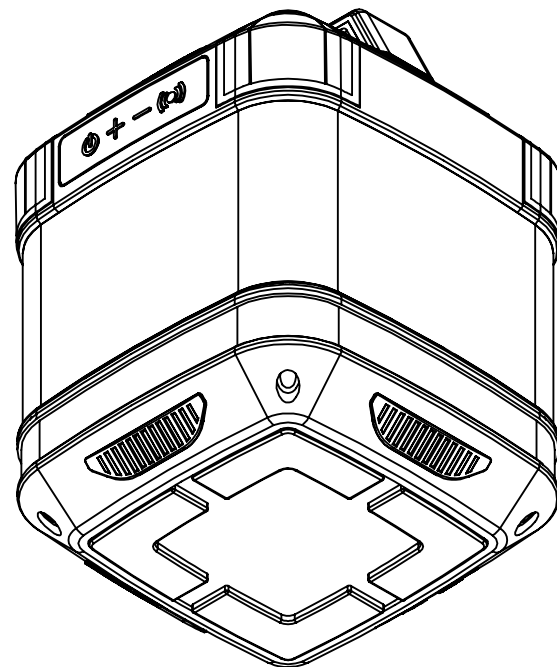
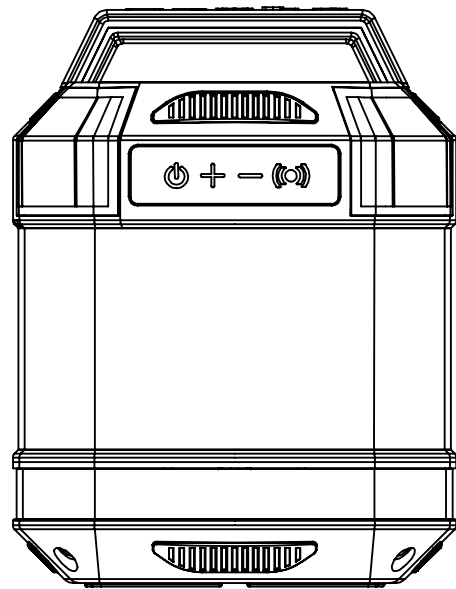
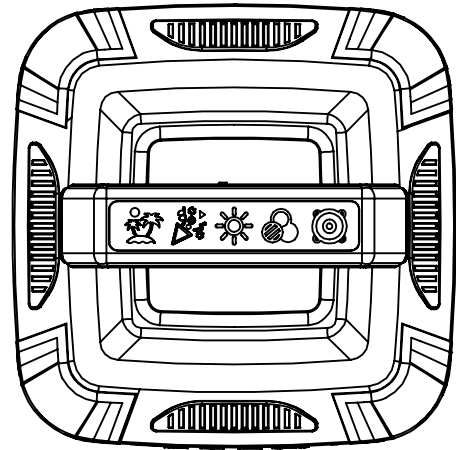
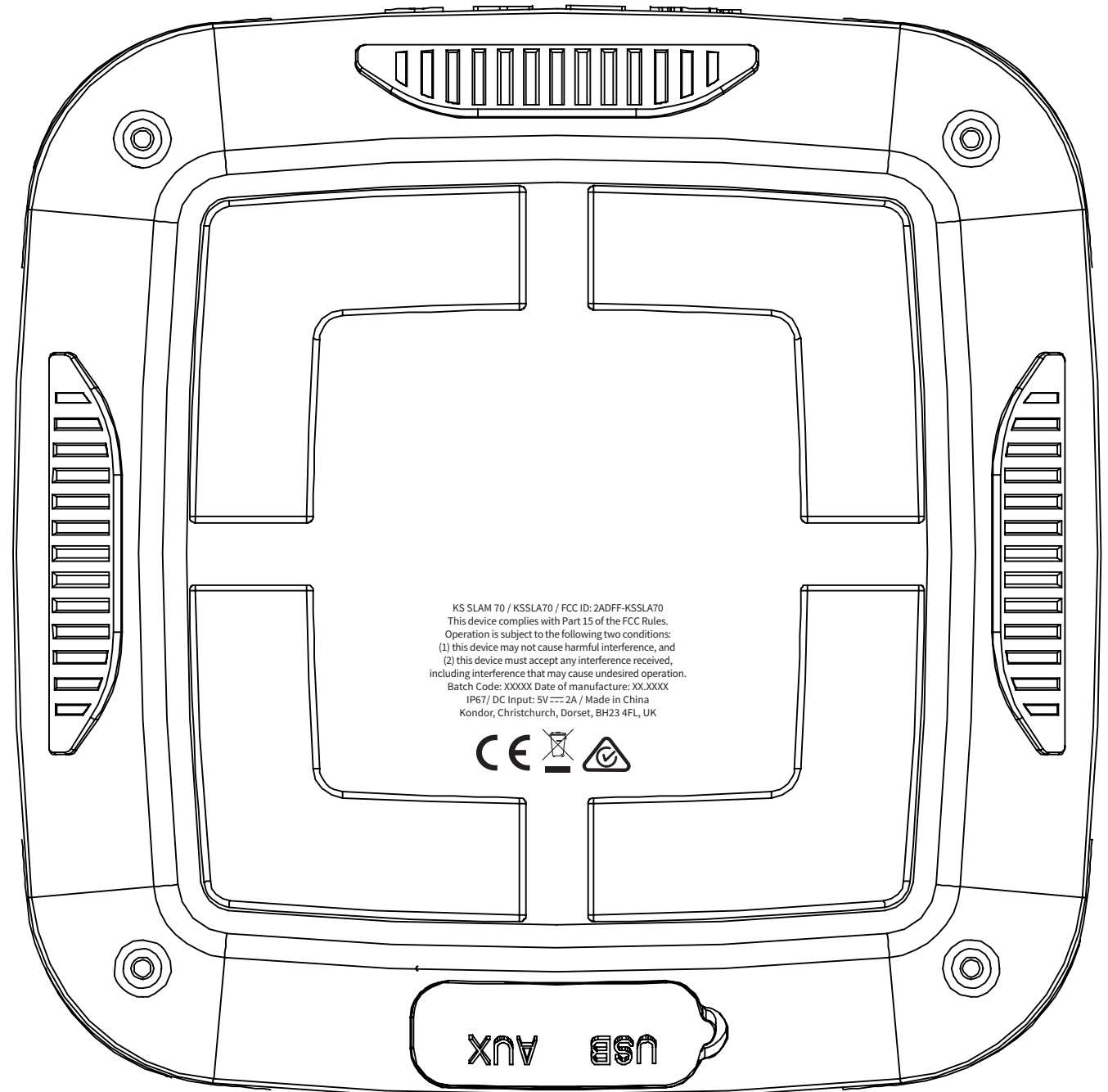


Revision	Date	Change by	Description
V01	04/06/2019	J.WILTSHIRE	Compliance label mass production
V02	05/06/2019	J.WILTSHIRE	Compliance label mass production
V03	18/06/2019	J.WILTSHIRE	Compliance label mass production
V04	01/07/2019	J.WILTSHIRE	Compliance label mass production
V05	03/07/2019	J.WILTSHIRE	Compliance label mass production
V06	06/08/2019	J.WILTSHIRE	Compliance label mass production
V07	06/10/2019	J.WILTSHIRE	Compliance label mass production



1:1 SCALE



Print Font: Source Sans Variable - Regular
 Print Colour: Cool Grey 8 C



Pantone
Cool Grey 8 C

Brand: KitSound	File Name: KSSLA70_Compliance_V07	Status: Development
Project Title: SLAM 70	Revision: V07	Created by: Joel Wiltshire
Colour Variant: N/A	Date: 30/10/2019	Checked by: Jordan Jones
Product Code: KSSLA70	CAD Verison: KS1915_SlamParty_V03.7.STEP	Page 1 of 1