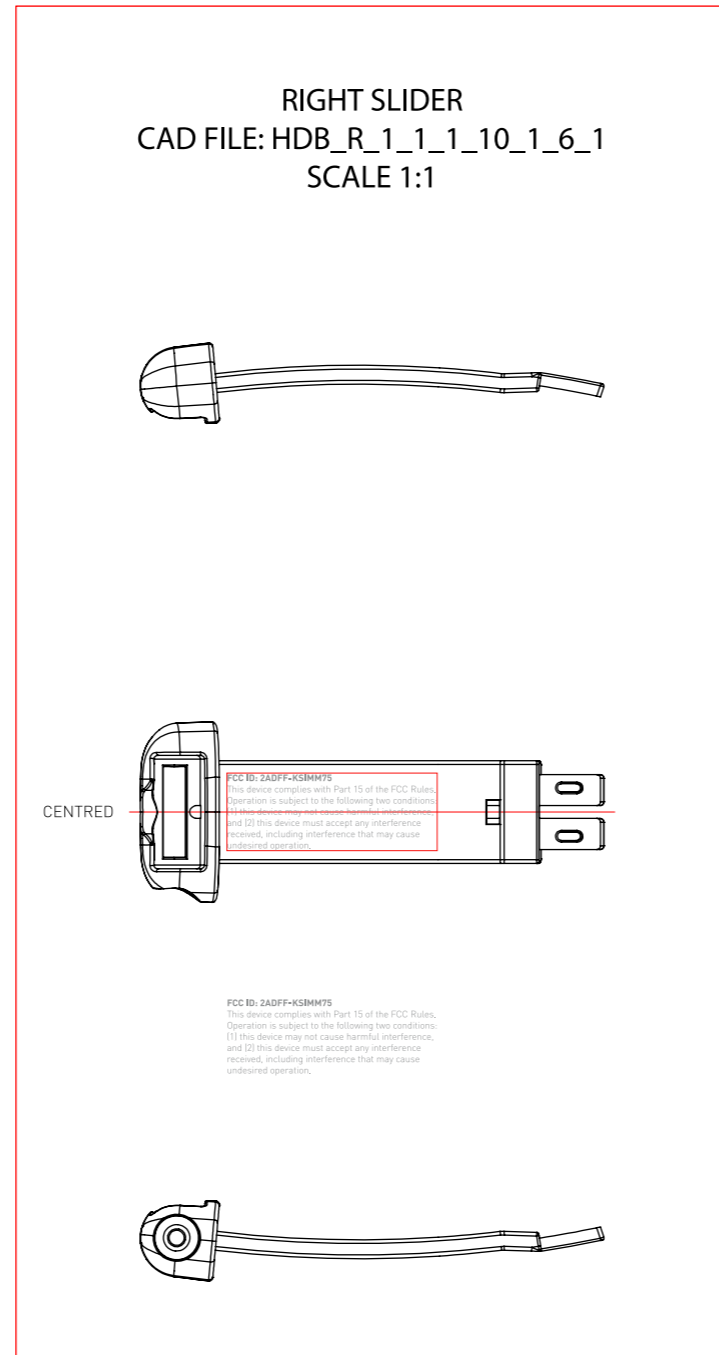
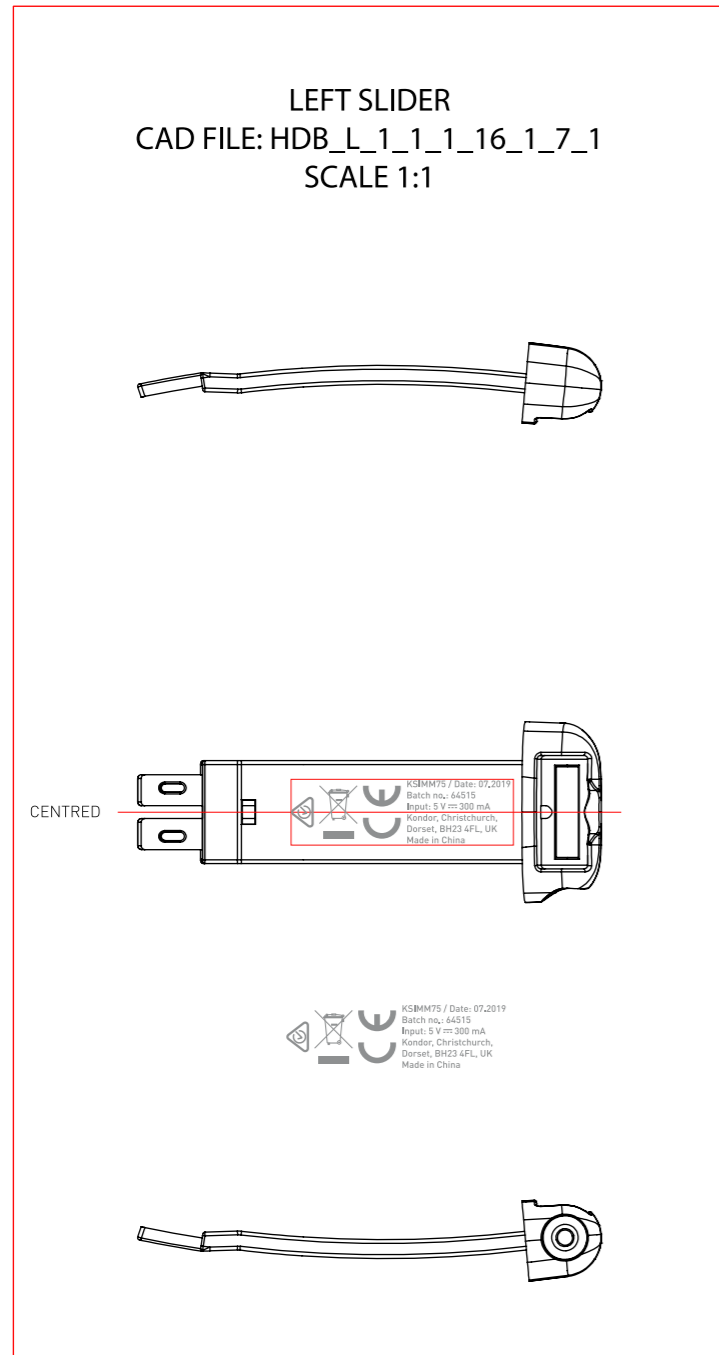
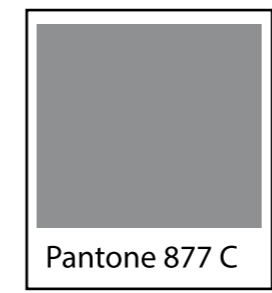


Revision	Date	Change by	Description
AW_A	20/03/2019	JJONES	First draft for CMA checking
AW_B	04/06/2019	JJONES	Name change and RCM added
AW_C	26/06/2019	JJONES	Name change KSIMM75
AW_D	01/07/2019	JJONES	Input rating amended to 300 mA
AW_E	03/07/2019	JJONES	Canada IC removed



**Print Colour**    **Print font: DinOffc - Medium**



Territories of sale
UK
EU
AUS
US

Notes

Brand: KitSound	File Name: KS1917_KSIMM75_ComplianceLabel_AW_E_PO 064515	Status: Development
Project Title: KS1917	Revision: AW_E	Created by: Jordan Jones
Colour Variant: All	Date: 03/07/2019	Checked by: Justin Christie
Product Code: KSIMM75	CAD Verison: See sheet	Page 1 of 1

