





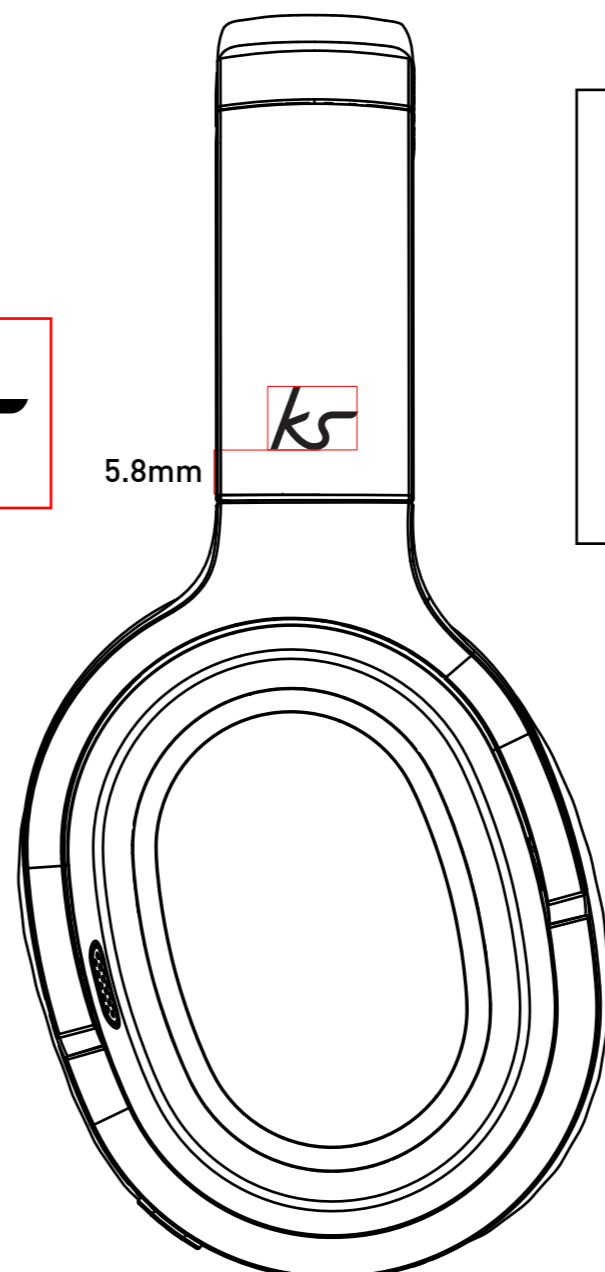
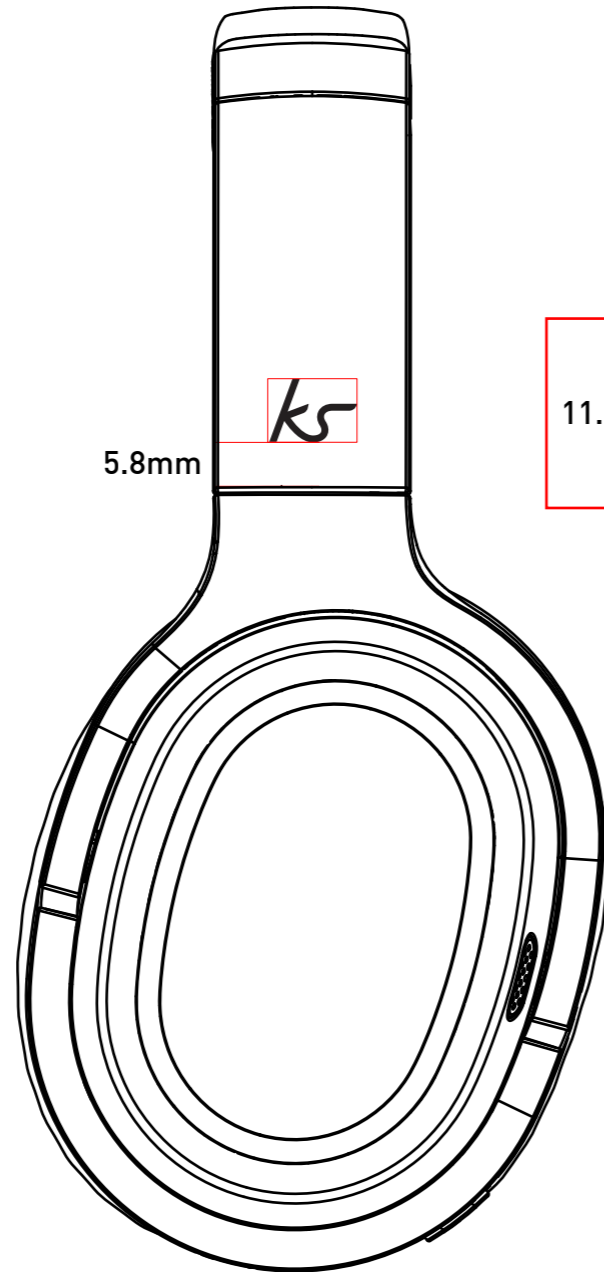
LEFT CUP

RIGHT CUP





 Date: xxx Batch code: xxxxx
 FCC ID: 2ADFF-KSENGA2
 DC Input: 5V ±1A
 KSENGA2
 Kondor Ltd, Christchurch,
 Dorset, BH23 4FL, UK
 Made in China



This device complies with Part 15 of the FCC rules.
 Operation is subject to the following two conditions:
 (1) this device may not cause harmful interference, and
 (2) this device must accept any interference received,
 including interference that may cause undesired operation.

Brand: KitSound	File Name: Engage2_Silkscreen_V01	Status: Development
Project Title: Engage 2	Revision: V01	Created by:
Colour Variant: Black	Date: 02/04/2019	Checked by:
Product Code: KSENGA2BK	CAD Verison: N/A	Page 1 of 2



FCC Label Location