



kitsound.co.uk

The Bluetooth® word mark and logos are registered trademarks owned by the Bluetooth SIG, Inc. and any use of such marks by Kondor Ltd. is under license. Other trademarks and trade names are those of their respective owners.

All trademarks are acknowledged as the property of their respective owners. Unless otherwise stated their use does not imply that the trademark owner is affiliated with KitSound or endorses the products herein.

Products showing the 'Crossed Through' wheellie bin symbol must be recycled separately from household waste at the end of their useful life. Please DO NOT dispose of this appliance in normal household waste. Your local appliance retailer may operate a 'take-back' scheme when you are ready to purchase a replacement product, alternatively contact your local government authority for further help and advice on where to take your appliance for recycling.

Please recycle this packaging responsibly.



Do not dispose of Lithium Polymer batteries with general waste. Please return it to battery recycling collection point

JB. 6868-c / REG05 / KSACC60

Made in China. © KitSound is a trademark of Kondor Limited, 2019. Christchurch, Dorset, BH23 4FL, UK



ACCENT60 WIRELESS HEADPHONES

USER MANUAL




Please read this manual carefully before use.

 **WARNING**

- Please do not get the product wet. If your product is IP rated, please follow guidelines on how to safely use your product overleaf
- Please don't take the product apart. There are no user serviceable parts inside
- Please don't modify or alter the product or accessories
- Please don't expose the product to extreme temperatures or rapid changes of hot to cold or vice versa
- Please don't use damaged cables or plugs, or loose electrical sockets
- Please don't touch the device, cables, plugs, or the electrical socket with wet hands or other wet body parts
- Please don't pull the cable excessively when disconnecting it if the cable is not fixed
- Please don't bend or damage the cable
- Please don't drop or cause an impact to the product or the device
- Please don't place naked flame sources, such as lighted candles, on the product

2

 **Protect your hearing and ears when using a headset**

- Excessive exposure to loud sounds can cause hearing damage
- Exposure to loud sounds while walking may distract your attention and cause an accident
- Always turn the volume down before plugging the earphones into an audio source and use only the minimum volume setting necessary to hear your conversation or music
- In dry environments, static electricity can build up in the headset. Avoid using headsets in dry environments or touch a metal object to discharge static electricity before connecting a headset to the device
- Do not use a headset while driving or riding. Doing so may distract your attention and cause an accident, or may be illegal depending on your region

3

Battery Information

- Batteries may malfunction if they are not used for extended periods
- Over time, unused devices will discharge and must be recharged before use
- Disconnect the charger from power sources when not in use
- Use the batteries only for their intended purposes
- Follow all instructions in this manual to ensure the longest lifespan of your device and battery. Damages or poor performance caused by failure to follow warnings and instructions can void your manufacturer's warranty
- Batteries (battery pack or batteries installed) shall not be exposed to excessive heat such as sunshine, fire or the like

Quick Start Guide

1. Press and hold for two seconds
2. Connect to 'KS Accent 60'
3. Play your music

Further information is provided in the following pages of this manual.





Box contents

- Accent 60 Wireless Headphones
- 3.5 mm aux cable
- Micro USB charge cable
- Carry pouch
- User manual

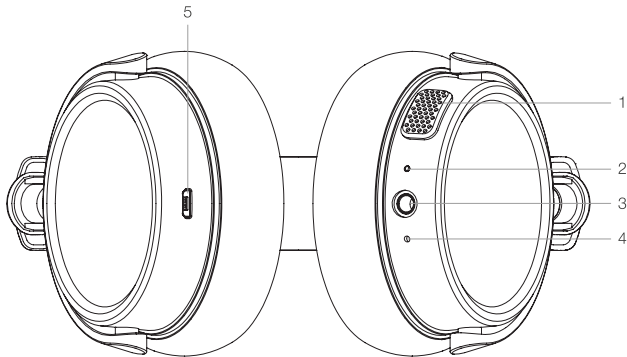
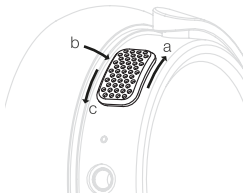
Functions

1. MFB (Multi-function Button)
2. LED Indicator
3. Aux-in Port
4. Microphone
5. Micro USB Charging Port

Multi-function Button (MFB)

The headphones use a single Multi-function Button to operate track controls. The button can be pressed in three ways.

- a. Upward
- b. Inward
- c. Downward





Instructions for use

Charging the battery

Give the headphones a full charge before their first use:

1. Connect the Micro USB Charge Cable to the Micro USB Charging Port (5) and plug into power
2. The LED Indicator (2) will shine a solid red whilst charging which will take up to 3 hours
3. Once fully charged the LED Indicator (2) will turn off

Note: The first charge may take up to 4 hours to complete.

Note: The LED Indicator (2) will flash red and an audio tone will sound to show low battery status, indicating that a recharge is required.

Pairing the headphones to your device

1. Press the MFB (1) inward and hold for 1 second. You will see the LED Indicator (2) quickly flash white and enter pairing mode
2. Turn on your iOS, Android, or Windows device's Bluetooth ON and search for new devices
3. Select 'KS Accent 60' from the list of found devices. If asked for a passcode, enter '0000' or '1234' and the device will pair
4. Once connected, an audio tone will sound and the LED Indicator (2) will pulse white. You can then answer the phone or listen to your music
5. To power off the headphones, hold MFB (1) down for 3 seconds. You will see the LED Indicator (2) flash red for 1 second before turning off

Note: The next time you switch the headphones on they will automatically search for and attempt to connect to the last paired device. When reconnecting to a saved device the LED indicator (2) will flash slowly.



Pairing new devices

Turn Bluetooth connectivity off on any previously paired devices or disconnect within the device's Bluetooth settings.

or

Whilst the headphones are powered off, press the MFB (1) inward and hold for 5 seconds in order to clear all Bluetooth pairing records.

Follow the 'Pairing the headphones to your device' instructions from step 1.



Call handling

Answer a call	Press MFB (1) inward to answer. You can adjust the volume by pushing the MFB upward (Volume+) or downward (Volume-)
Reject a call	Press MFB (1) inward and hold for 1 second to reject the incoming call
End call	Press MFB (1) inward while in the call to end it
Redial	Quickly double press MFB (1) to redial your last outgoing call

Voice Assistant

Activate Voice Assistant	Hold MFB (1) for 1 second and wait for audio tone before giving voice command to device. Note: this feature requires a compatible iOS or Android handset
--------------------------	--





Playing music

Bluetooth

Play/Pause	Short press MFB (1) inward
Adjusting the volume	Push MFB (1) either upward (Volume+) or downward (Volume-) and release. Volume will be changed incrementally. The volume can also be controlled on your device.
Changing track	Push MFB (1) either upward or downward and hold for 1 second to skip tracks forward or backward respectively.



Wired Use

1. Turn off the headphones
2. Plug the 3.5 mm aux cable into the headphone's Aux-in Port (3) and the other end into your device

Note: All functions are controlled via your device.



Specifications

Bluetooth® technology v5.0	
Bluetooth connectivity distance	up to 10 m
Frequency band	2.402 GHz - 2.480 GHz
Transmission power	5.8 dBm
S/N	85 dB +/- 2 dB
Frequency response	20 Hz – 20 kHz
Sensitivity	105 dB
Drivers	40 mm

[continued...]

[continued...] Specifications

Battery	LiPo
Play time	up to 35 hours
Charging time	up to 2 hours
Working temperature	-40°C ~ +60°C
Headphones (mm)	H192 x W155 x D40
Cable length	1.2 m
Weight	198 g

Troubleshooting

We hope you've now got all the information you need to get started, but if you're having problems with anything, please feel free to contact us at: support@kitsound.co.uk

Hereby, Kondor Ltd declares that the radio equipment type, KSACC60, is in compliance with Directive 2014/53/EU.

The full text of the EU declaration of conformity is available at the following internet address: <http://kondor.co.uk/product-documents>.



FCC ID: 2ADFF-KSACC60

This device complies with Part 15 of the FCC rules. Operation is subject to the following two conditions:

- (1) this device may not cause harmful interference, and
- (2) this device must accept any interference received, including interference that may cause undesired operation.

Warning: Changes or modifications not expressly approved by the party responsible for compliance could void the user's authority to operate the equipment.

NOTE: This equipment has been tested and found to comply with the limits for a Class B digital device and ISM equipment, pursuant to part 15 and part 18 of the FCC Rules respectively. These limits are designed to provide reasonable protection against harmful interference in a residential installation. This equipment generates, uses and can radiate radio frequency energy and, if not installed and used in accordance with the instructions, may cause harmful interference to radio communications. However, there is no guarantee that interference will not occur in a particular installation. If this equipment does cause harmful interference to radio or television reception, which can be determined by turning the equipment off and on, the user is encouraged to try to correct the interference by one or more of the following measures:

- Reorient or relocate the receiving antenna.
- Increase the separation between the equipment and receiver.
- Connect the equipment into an outlet on a circuit different from that to which the receiver is connected.
- Consult the dealer or an experienced radio/TV technician for help.



The use and operation of this product is beyond our control. Warranty of the Accent 60 is limited to defects caused by faulty manufacture or defects in materials only. No warranty whatsoever is given or implied for damage caused by the user under any circumstances.

This does not affect your statutory rights.

Please do not attempt to open this product. There are no user serviceable parts inside. If your product has an embedded, non-replaceable battery, do not attempt to access or remove the battery. This may cause personal injury and will damage the product.

Making any attempt to open the product or carry out repair voids any and all warranties.

We are sorry for any inconvenience caused by minor inconsistencies in these instructions, which may occur as a result of product improvement and development.

