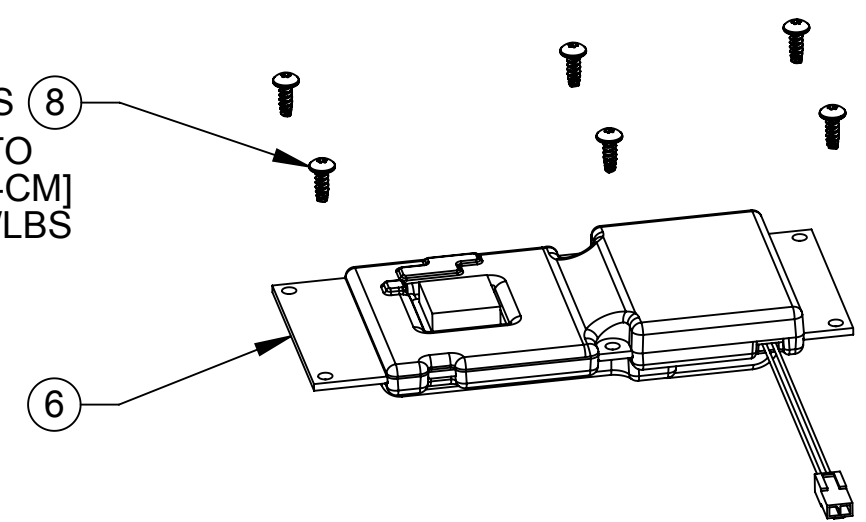


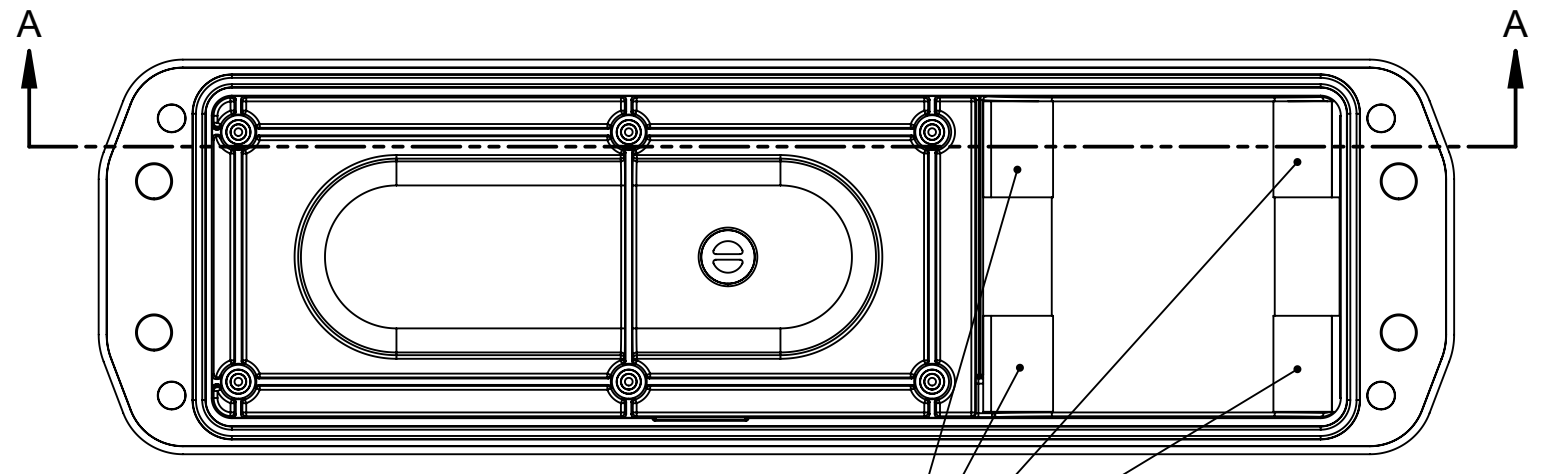
ENSURE LID IS INSTALLED IN THE PROPER ORIENTATION

6 PLACES (8) TIGHTEN TO [107-119 N-CM] 9.5-10.5 IN/LBS

(12) 2 PLACES SEE VIEWS ON RIGHT FOR PROPER APPLICATION

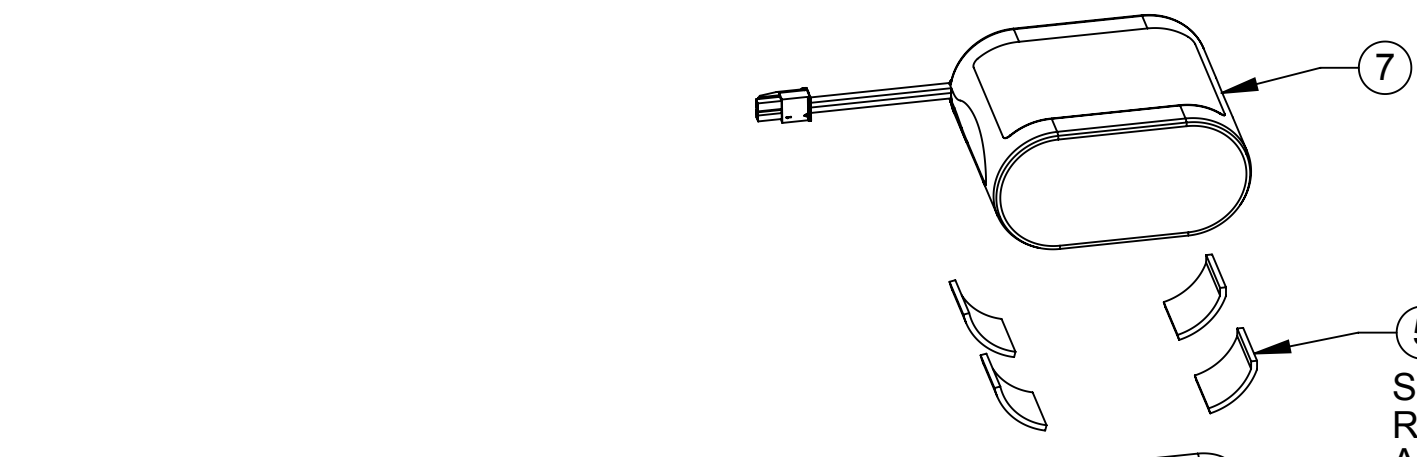
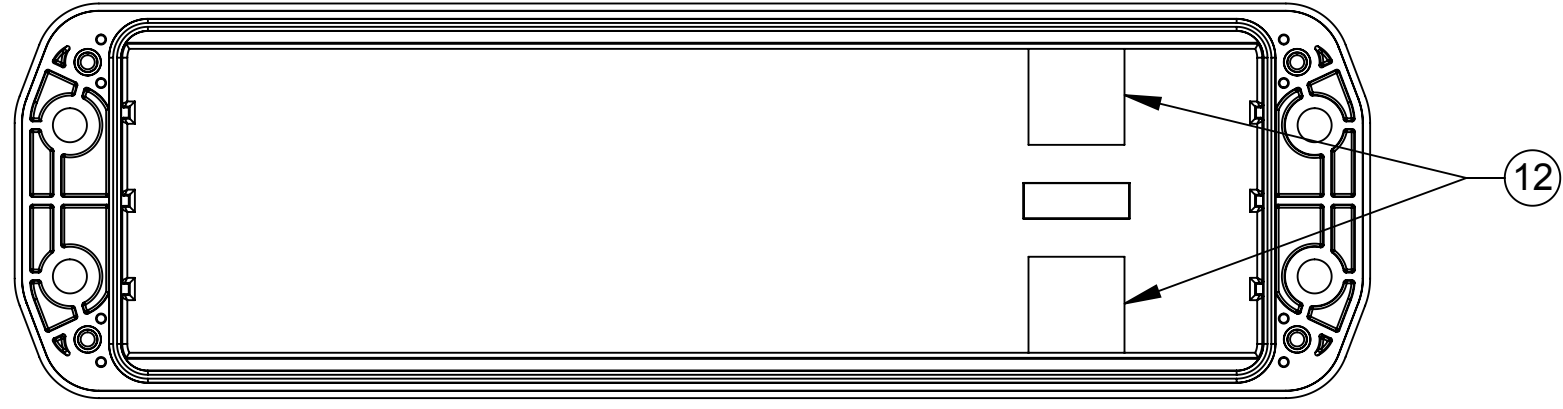
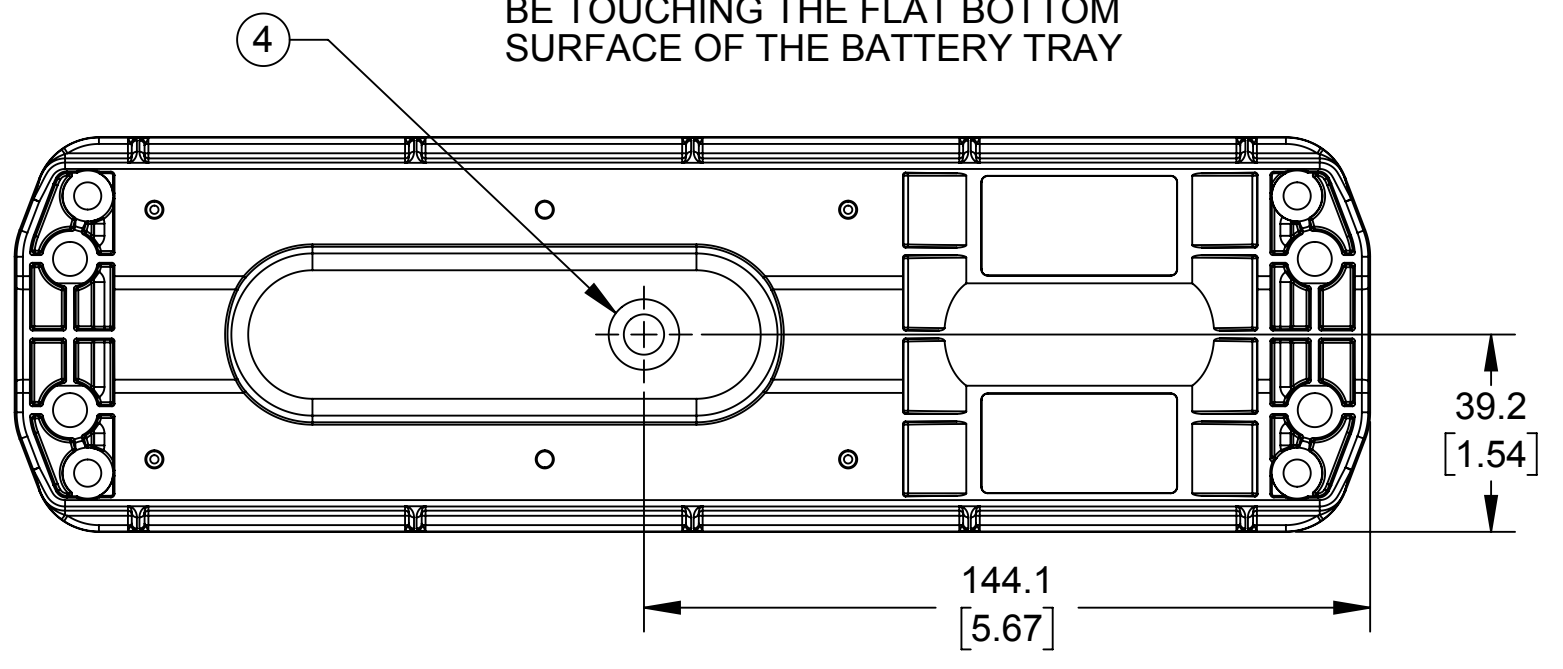
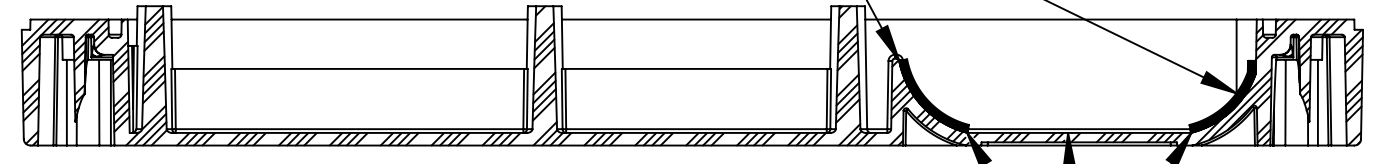


SILICONE FOAMPAD, ITEM NO. 5, TO BE APPLIED TO THE ENCLOSURE BASE AS SHOWN. 4 PLACES

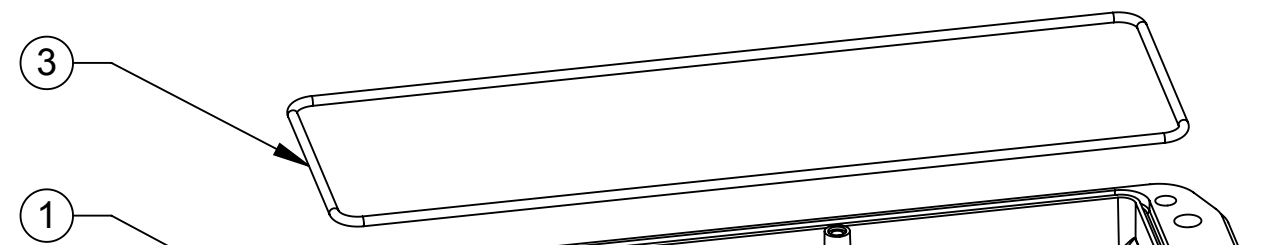


SECTION A-A

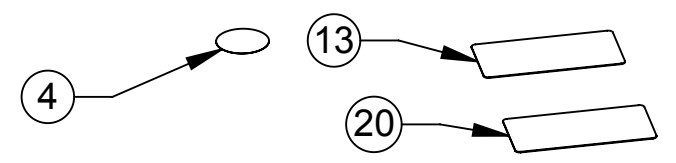
FOAM SHOULD BE PLACED ON CURVED SURFACES ONLY. NO PART OF THE PAD SHOULD BE TOUCHING THE FLAT BOTTOM SURFACE OF THE BATTERY TRAY



(5) 4 PLACES SEE VIEWS ON RIGHT FOR PROPER APPLICATION



4 PLACES (9) TIGHTEN TO [249-271 N-CM] 22.0-24.0 IN/LBS



MOUNTING BRACKET IS REQUIRED FOR USE IN POTENTIALLY EXPLOSIVE ATMOSPHERE
APPROVED BRACKETS:
IONX P/N 302262, BRACKET, ISOLATION MOUNT
IONX P/N 301712, BRACKET, ISOLATION MOUNT, STAINLESS STEEL

- NOTES:
1. FINISHED UNITS ARE TO PLACED IN ASSEMBLED CARTON, ITEM NO'S 16, 17, 18 & 19.
 2. NO SUBSTITUTION OF MATERIALS IS PERMISSIBLE WITHOUT PRIOR APPROVAL FROM THE INTRINSIC SAFETY CERTIFICATION BODY.
 3. ALL METALLIC MATERIALS USED DO NOT CONTAIN, BY MASS, MORE THAN 10% IN TOTAL OF ALUMINUM, MAGNESIUM, TITANIUM AND ZIRCONIUM, AND 7.5% IN TOTAL OF MAGNESIUM, TITANIUM AND ZIRCONIUM.

NOTICE OF CONFIDENTIALITY:
 THIS DOCUMENT AND THE INFORMATION CONTAINED IN IT ARE CONFIDENTIAL AND ARE THE PROPERTY OF IONX. THEY MAY NOT BE IN ANY WAY DISCLOSED, COPIED OR USED BY ANYONE EXCEPT AS EXPRESSLY AUTHORIZED BY IONX. THE DOCUMENT SHOULD ALWAYS BE KEPT IN A SECURE PLACE, AND SHOULD BE DESTROYED OR RETURNED TO IONX WHEN IT IS NO LONGER NEEDED.

MATERIAL / FINISH	UNLESS OTHERWISE SPECIFIED :	THIS DRAWING REPLACES:	<p>515 S. FRANKLIN STREET WEST CHESTER, PA 19382 484-653-2600 WWW.IONXLIVE.COM</p>
MATERIAL: -	DIMENSIONS ARE IN MILLIMETERS OR DEGREES	REFERENCE PART NO.:	
COLOR: -	THIRD ANGLE PROJECTION	DRAWN: JEFF THAWLEY	TITLE: EDGE E5S ASSET MONITORING DEVICE
FINISH: -	LINEAR & ANGULAR TOLERANCES	CHECKED: CARL SWARTZ	SIZE: C
	XX 0.50 XX.X 0.20	PROJECT ENGINEER: JEFF THAWLEY	DWG NO.: E5S
	XX.XX 0.10 XX.XXX 0.05	DATE: 7/21/16	REV: D
	GEOMETRIC DIMENSIONS AND TOLERANCES PER ANSI Y14.5M-1994	DATE: 1/12/18	SCALE: 2:3
	DO NOT MEASURE OFF THIS PRINT	DATE: 7/21/16	SHEET 1 OF 1
	PRODUCT: EMU		