



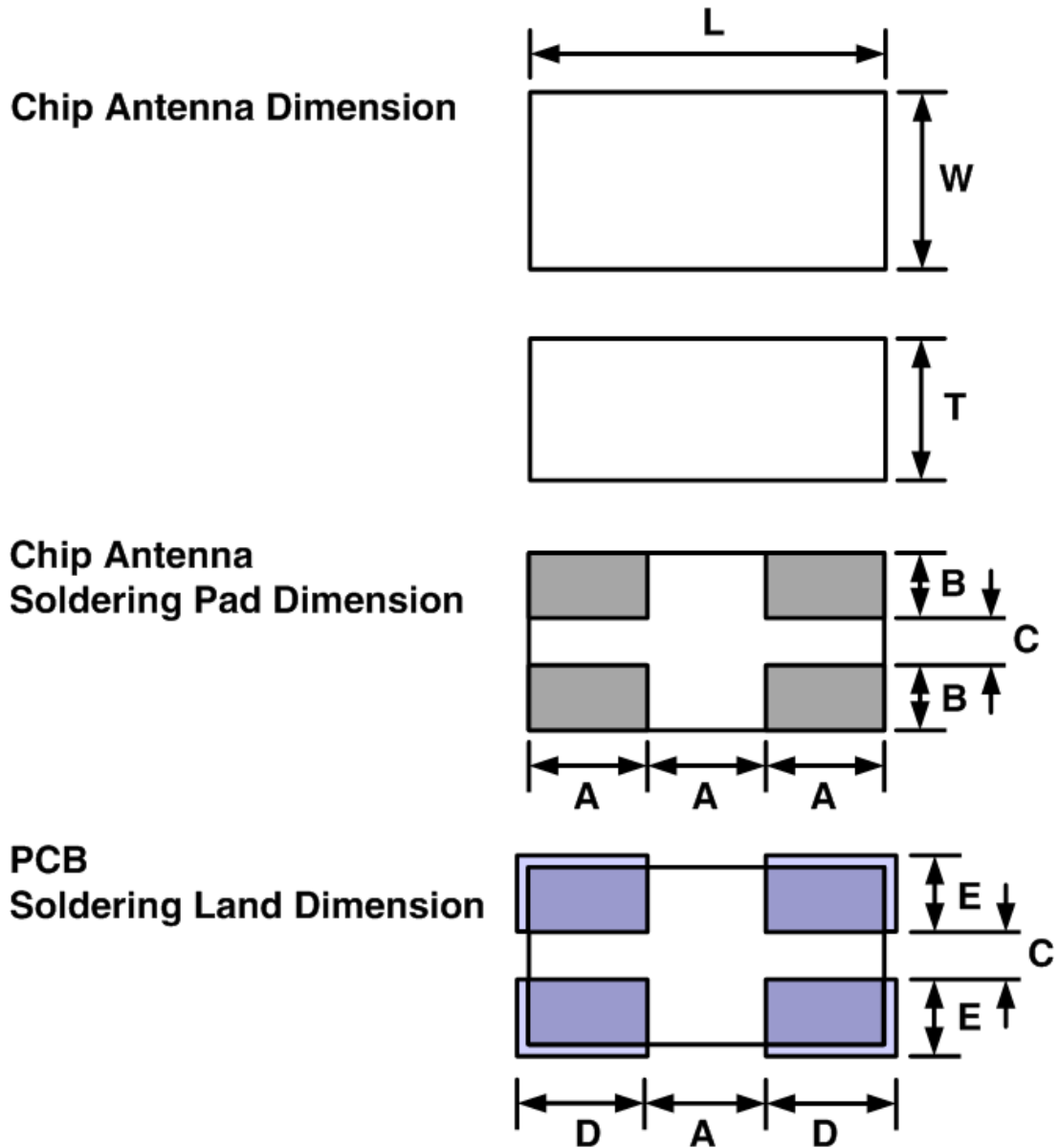
# Antenna datasheet

## Original Design Chip Antenna Data Sheet

**- P/N : SDBTPTR3015 -**

<b>- Application Frequency</b>	
	<b>Band[MHz]</b>
<b>Bluetooth / WiFi / Zigbee</b>	<b>2400 ~ 2485</b>
<b>S-DMB</b>	<b>2630 ~ 2655</b>
<b>Wibro</b>	<b>2300 ~ 2390</b> <b>band1 : 2300 ~ 2327</b> <b>band2 : 2331.5 ~ 2358.5</b> <b>band3 : 2363 ~ 2390</b>

## ■ SDBTPTR3015 Dimension



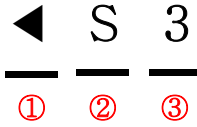
Parameter	L	W	T	A	B	C	D	E
Value[mm]	3.0 ± 0.1	1.5 ± 0.1	1.2 ± 0.1	1.0	0.55	0.4	1.1	0.65

Unless Specified tolerances are ± 0.05 mm

# Dielectric Chip Antenna

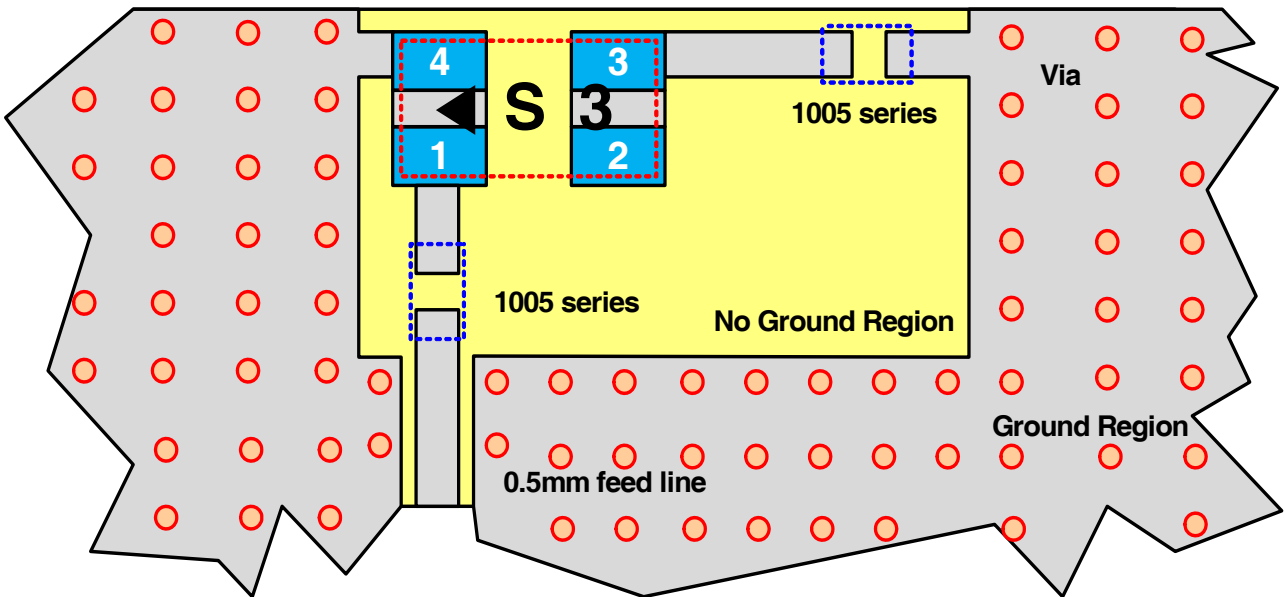


## Antenna Marking System



ITEM	DESCRIPTION																								
① Input Signal	Input Signal																								
② Serial	SDBTPTR3015																								
③ Month	<table border="1"> <thead> <tr> <th>1</th> <th>2</th> <th>3</th> <th>4</th> <th>5</th> <th>6</th> </tr> </thead> <tbody> <tr> <td>January</td> <td>February</td> <td>March</td> <td>April</td> <td>May</td> <td>June</td> </tr> <tr> <th>7</th> <th>8</th> <th>9</th> <th>A</th> <th>B</th> <th>C</th> </tr> <tr> <td>July</td> <td>August</td> <td>September</td> <td>October</td> <td>November</td> <td>December</td> </tr> </tbody> </table>	1	2	3	4	5	6	January	February	March	April	May	June	7	8	9	A	B	C	July	August	September	October	November	December
	1	2	3	4	5	6																			
	January	February	March	April	May	June																			
	7	8	9	A	B	C																			
July	August	September	October	November	December																				

## Antenna PAD Information



# Dielectric Chip Antenna



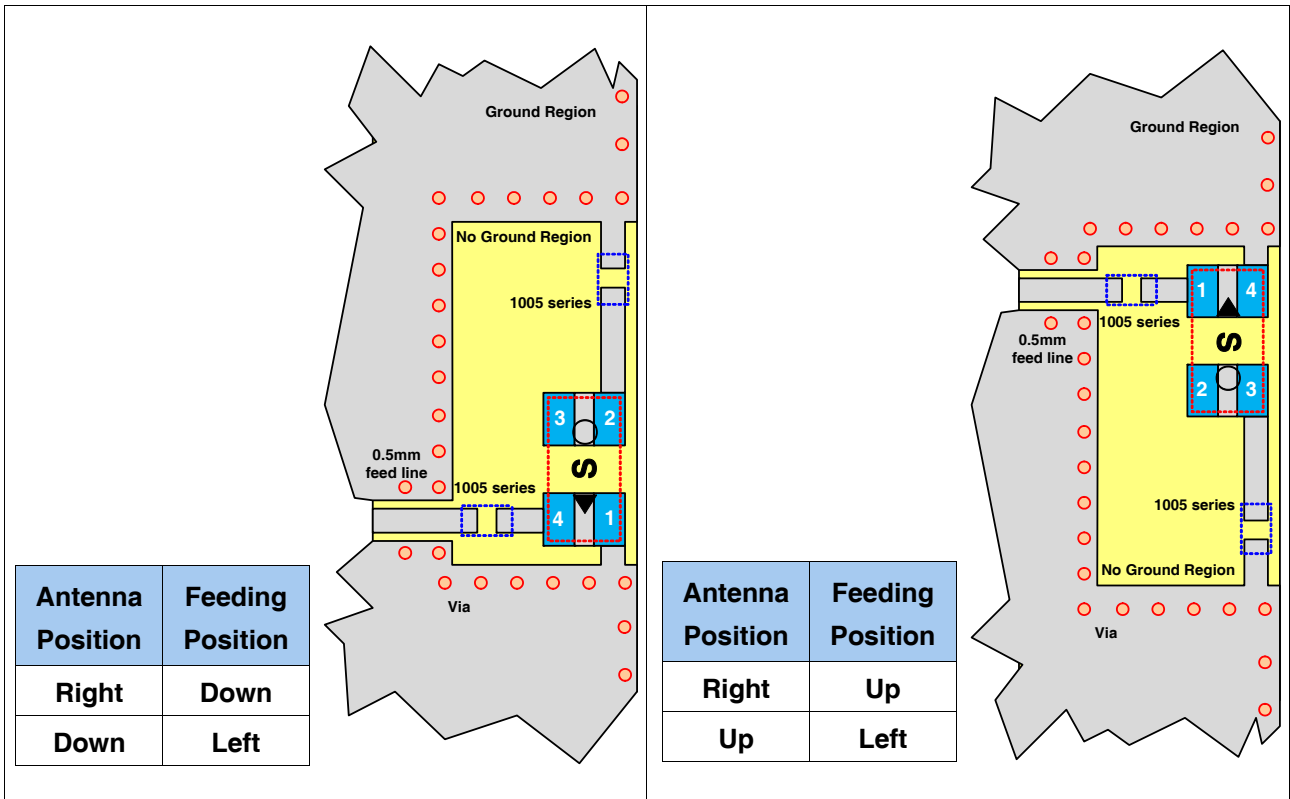
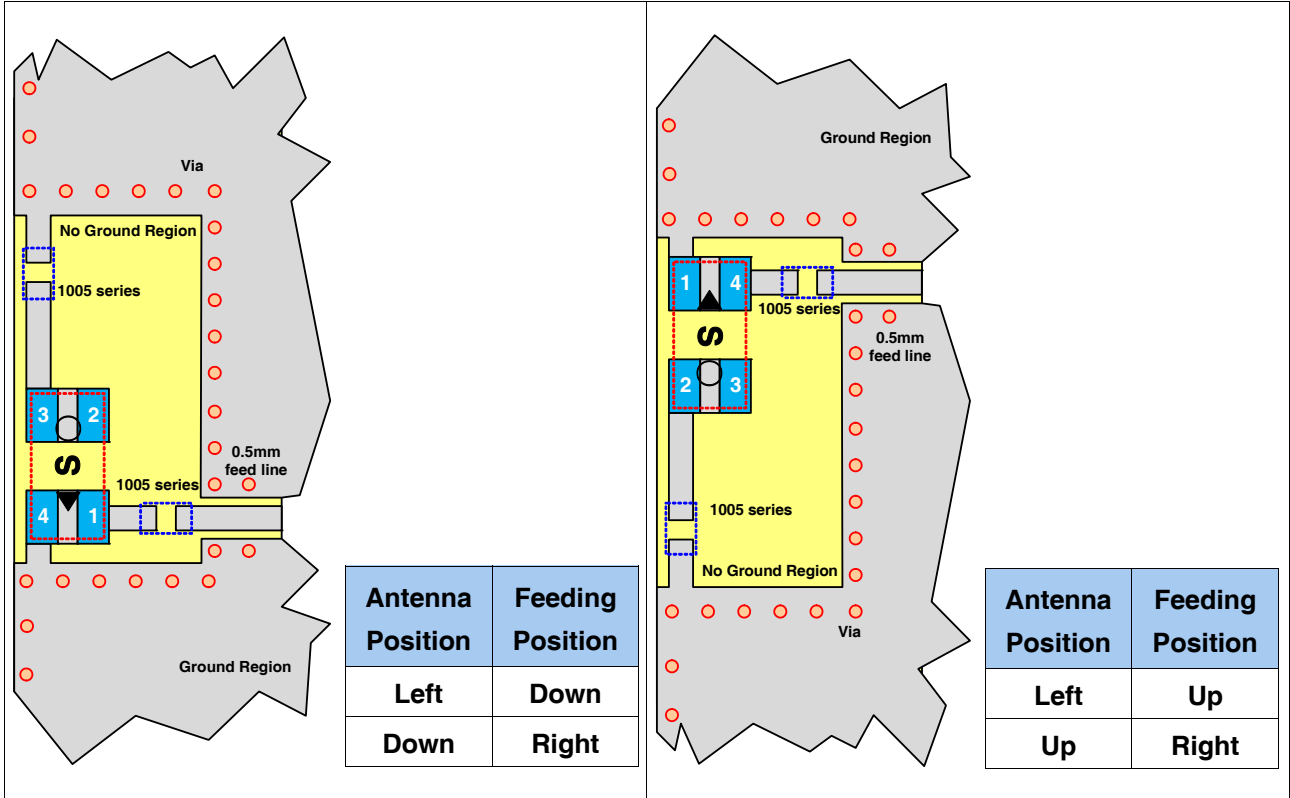
## PCB Drawing

Top View	Case #1 <Default>		
	Case #2		
	Case #3		
	Case #4		
Bottom View			<Equivalent Circuit>

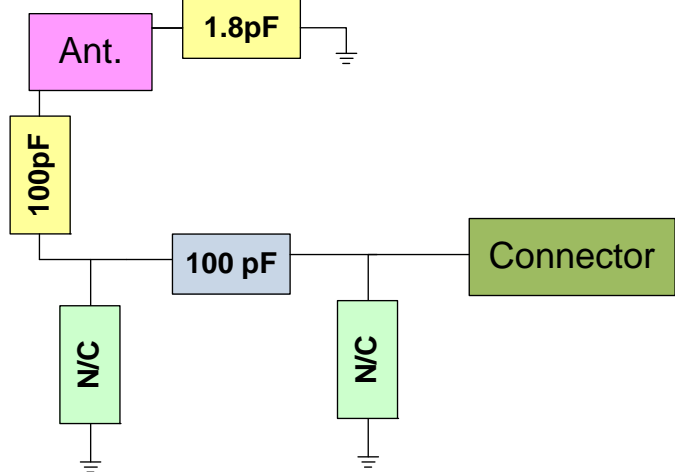
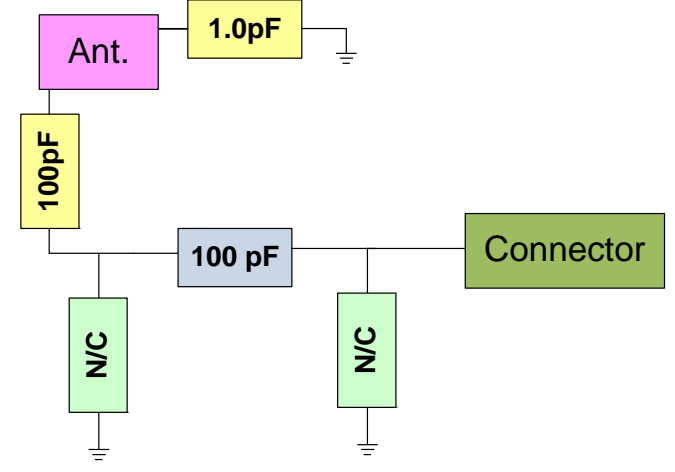
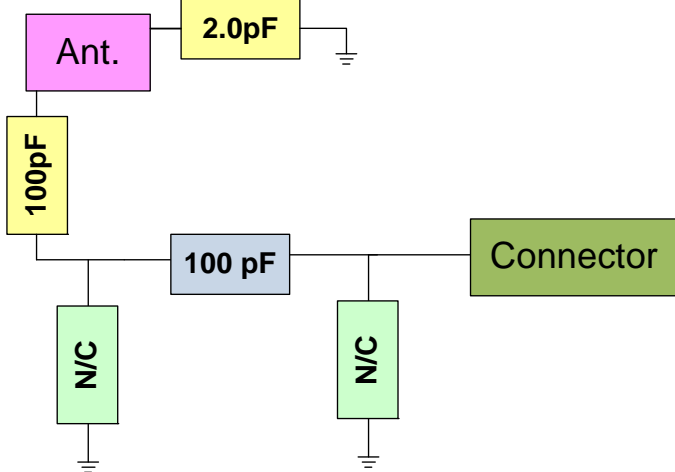
# Dielectric Chip Antenna



## Change of Antenna Position



## ■ Matching Value

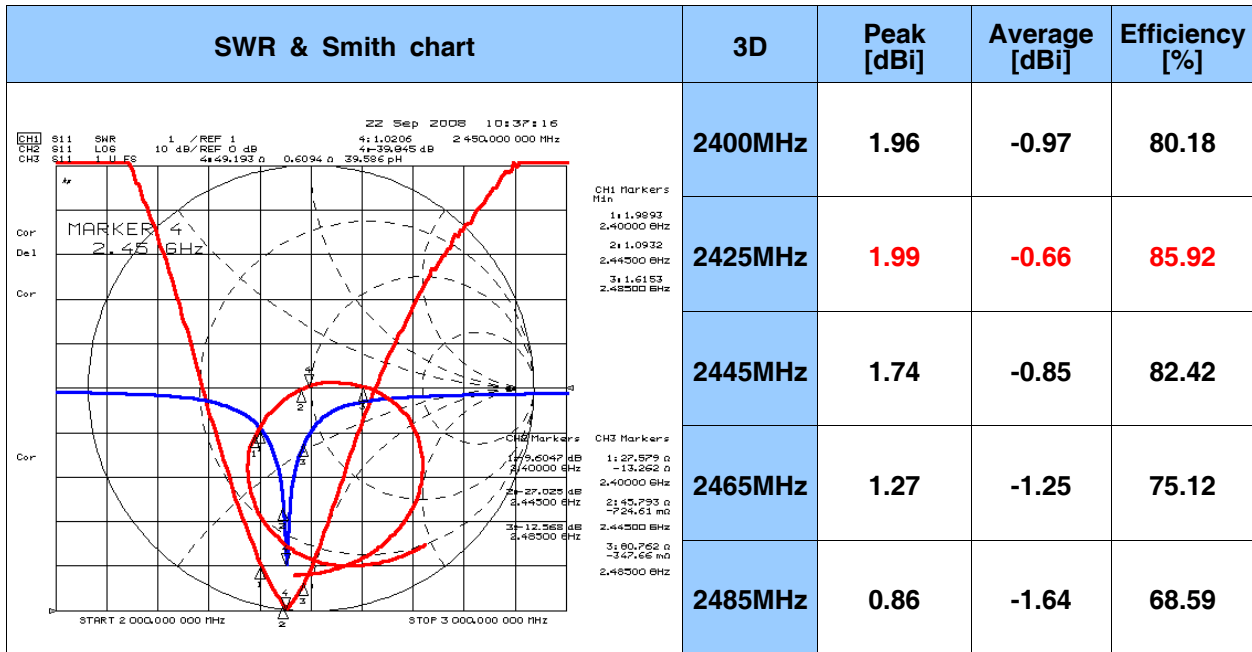
Band (MHz)	Matching Value (Default)
<p>Bluetooth / WiFi / Zigbee (2400 ~ 2485)</p>	
<p>S-DMB (2630 ~ 2655)</p>	
<p>Wibro (2300 ~ 2390) band1:2300~2327 band2:2331.5~2358.5 band3:2363~2390</p>	

# Dielectric Chip Antenna

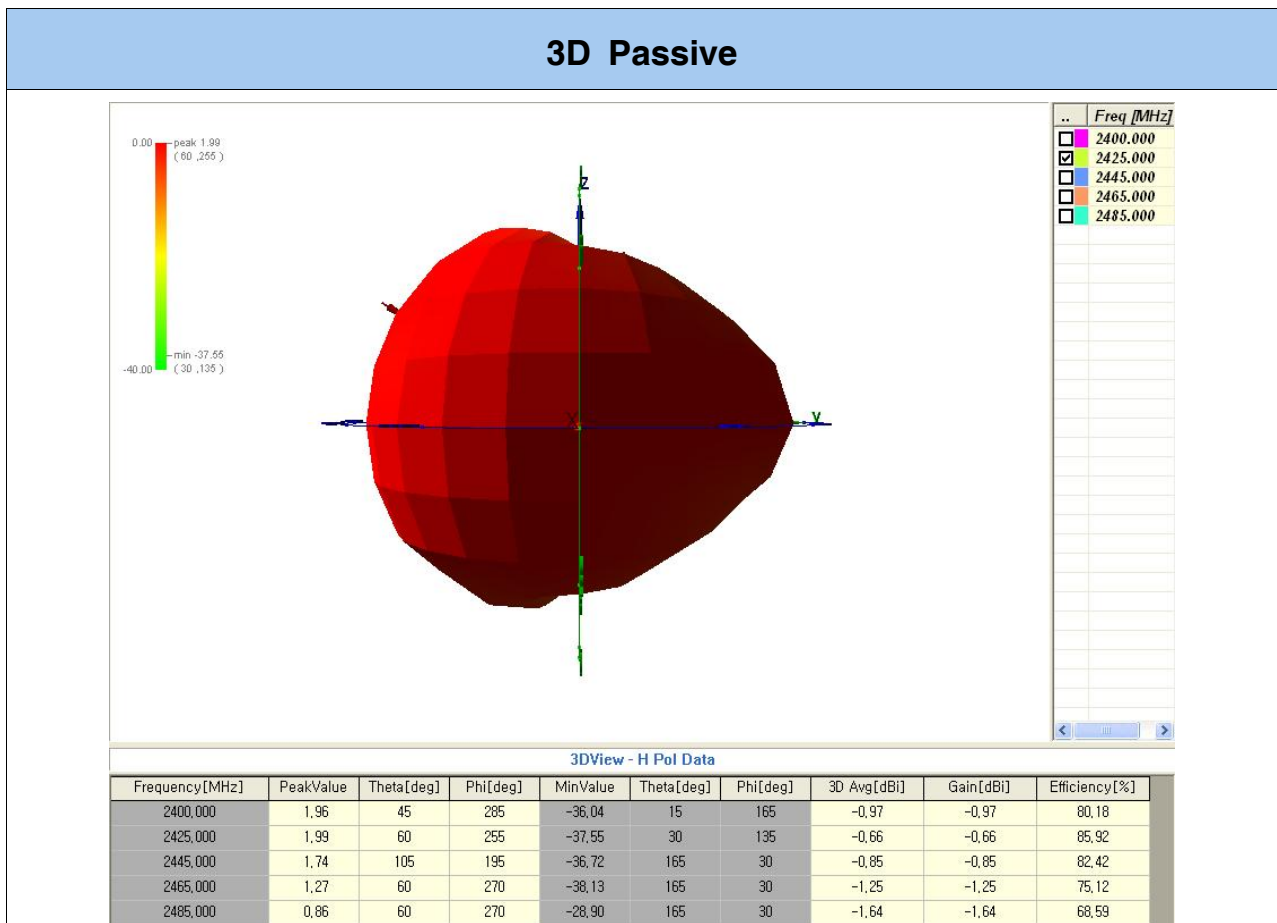


## - 3D Passive Gain For Bluetooth / WiFi / Zigbee

### ■ Test Result for Ver 0.0



### ■ Radiation Pattern Ver 0.0



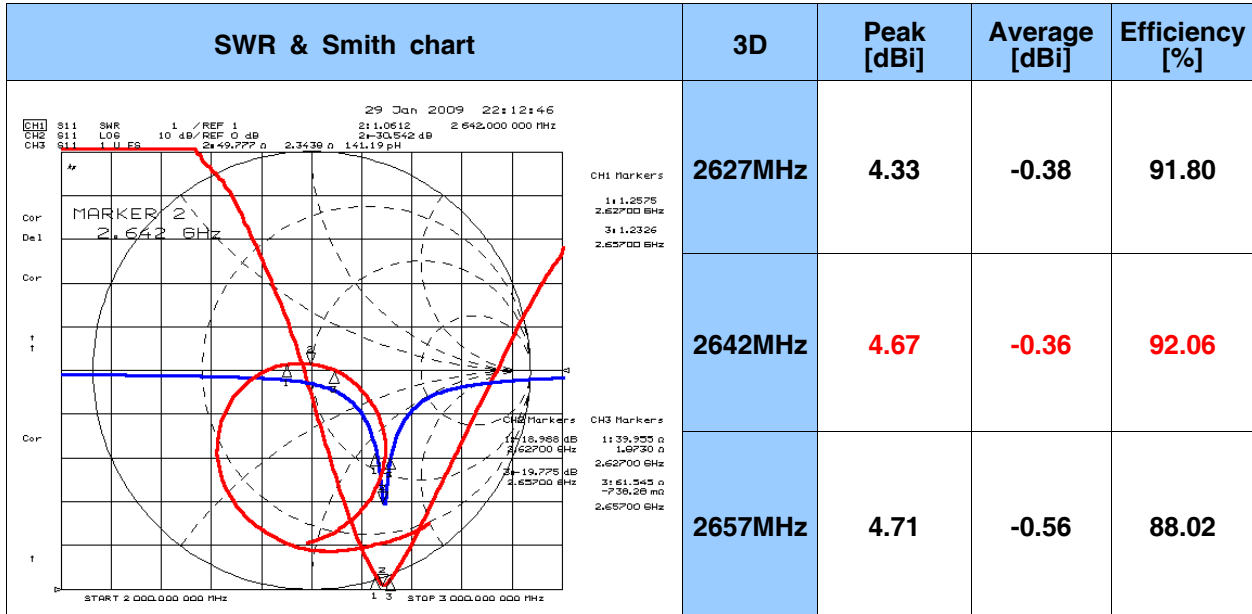


# Dielectric Chip Antenna

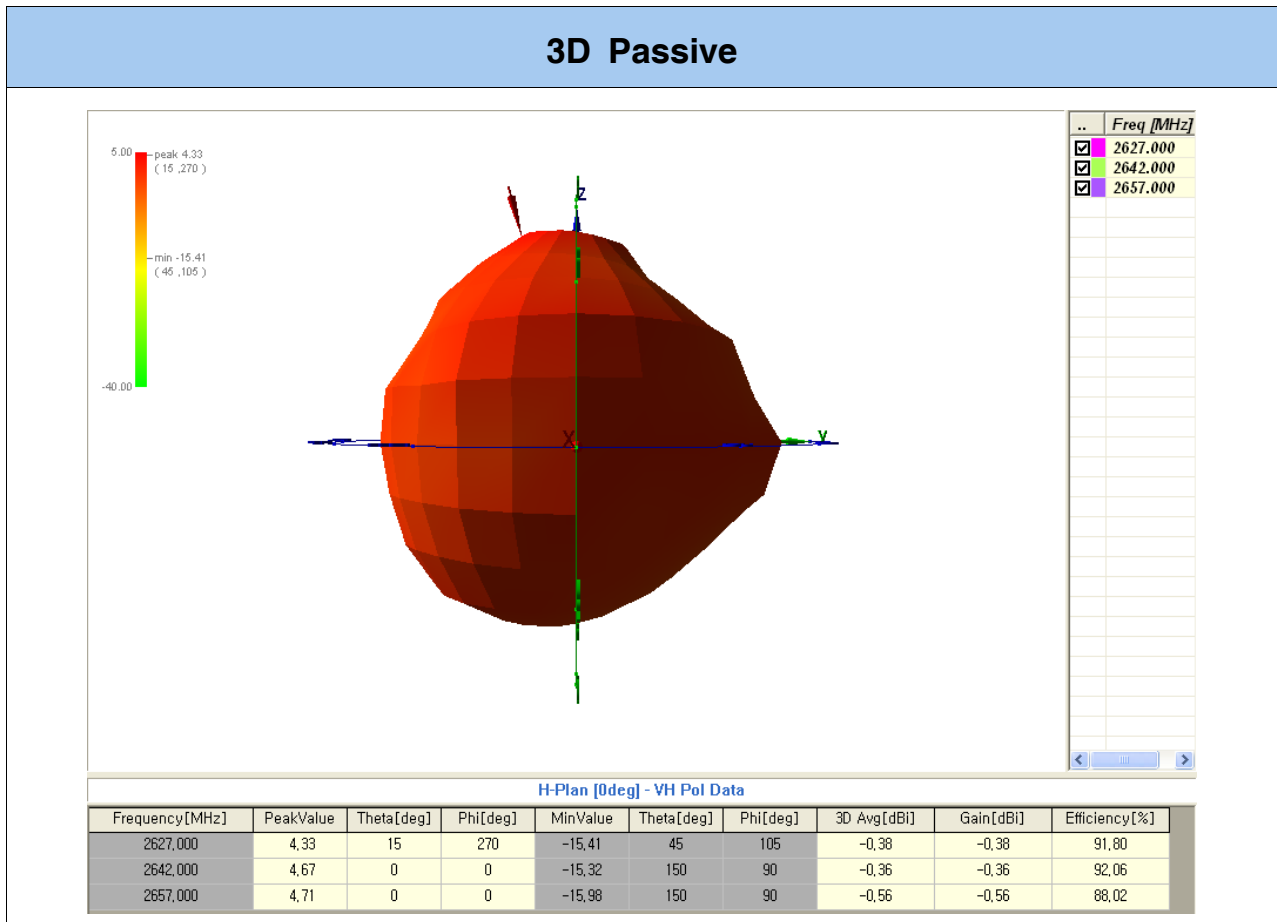


## - 3D Passive Gain For S-DMB

### ■ Test Result for Ver 0.0



### ■ Radiation Pattern Ver 0.0

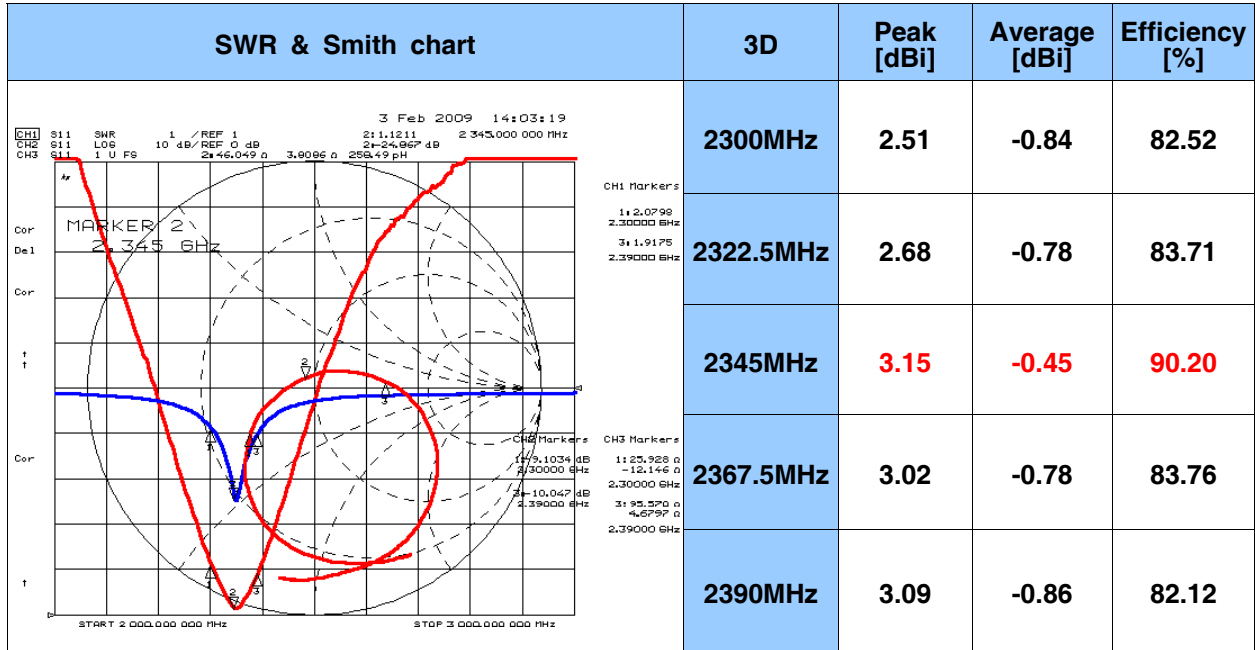


# Dielectric Chip Antenna

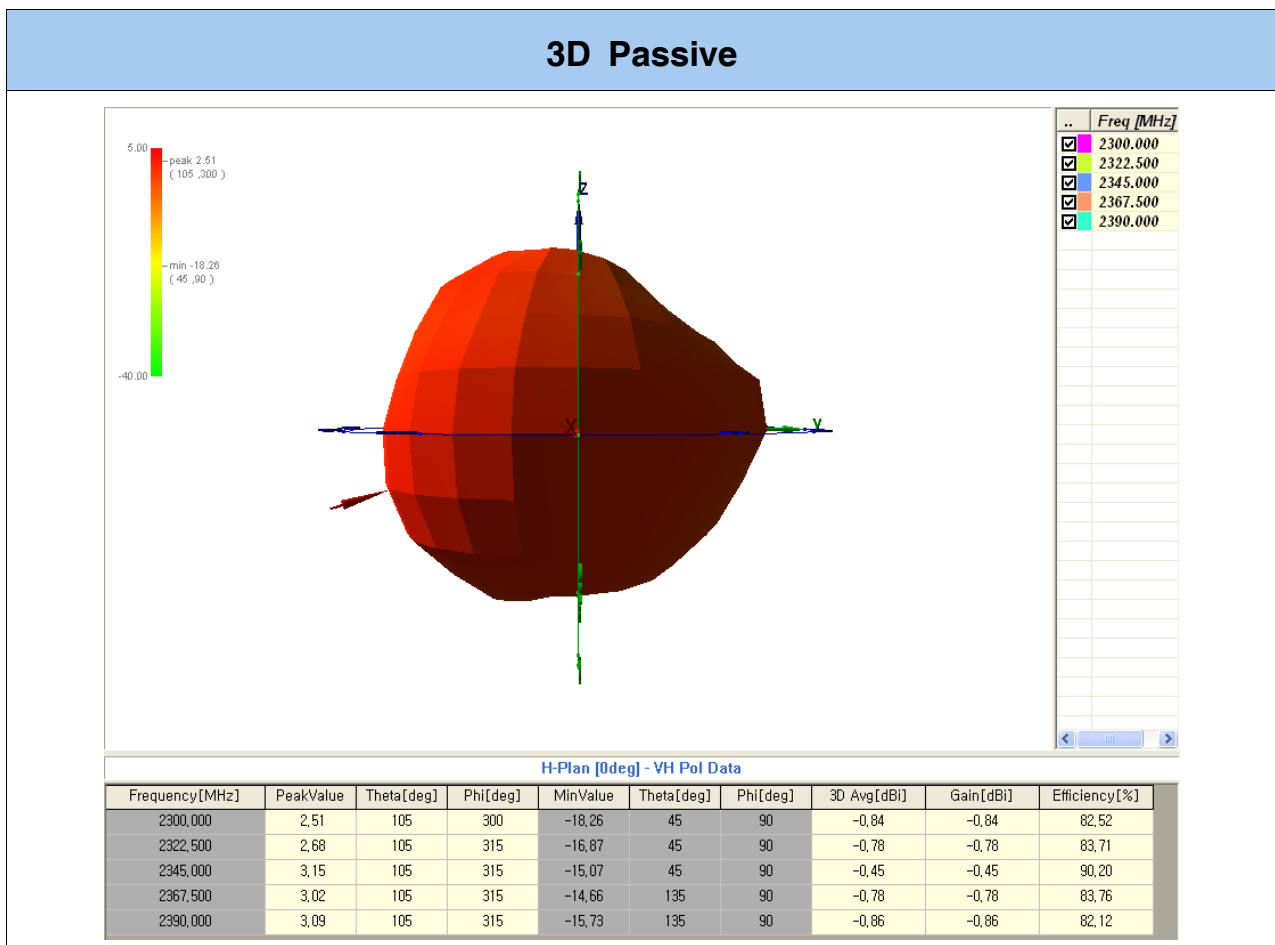


## - 3D Passive Gain For Wibro

### ■ Test Result for Ver 0.0



### ■ Radiation Pattern Ver 0.0



# Dielectric Chip Antenna



## ■ AutoCAD Drawing of Reference PCB Design for SDBTPTR3015 Product

