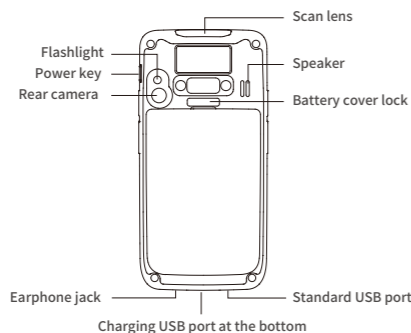
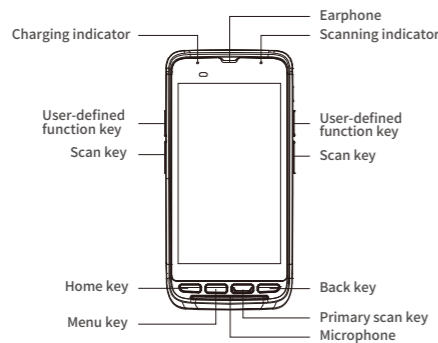
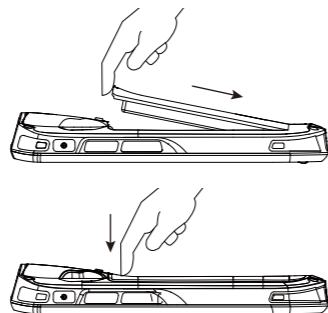


## Overview of iData 50

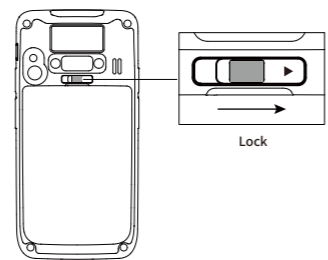


## Installing the Battery

1. Push the battery to the bottom of the battery compartment and press it downwards.



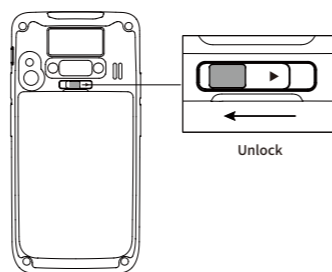
2. Push the battery cover lock to the right to lock the battery cover.



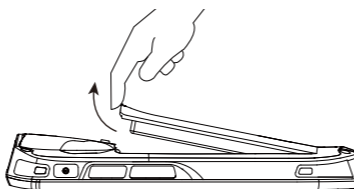
(Note: The iData 50 adapts integrated design for the battery and battery cover.)

## Removing the Battery

1. Push the battery cover lock to the left.



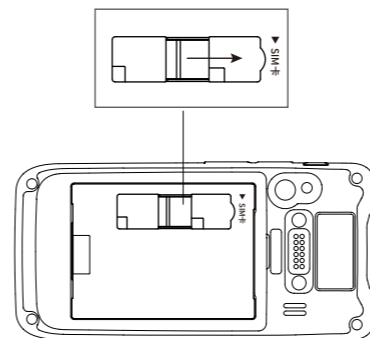
2. Pull up the battery cover from the groove at the upper end of the battery cover.



(Note: The iData 50 adapts integrated design for the battery and battery cover.)

## Inserting a SIM Card

1. Insert a SIM card by following the direction in the figure below.

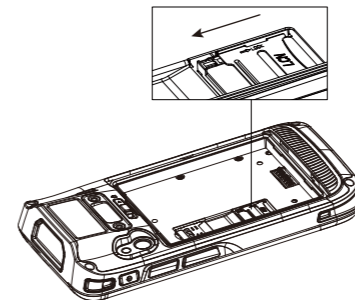


Micro SIM Card

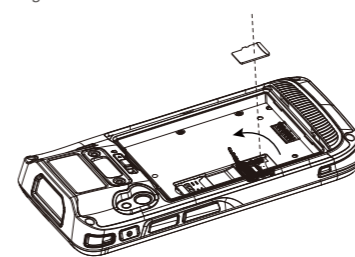
(Note: Micro SIM cards are applicable to the iData 50. After replacing a SIM card, restart the iData 50.)

## Inserting a TF Card

1. Push the card cover by following the OPEN direction marked on the card cover.



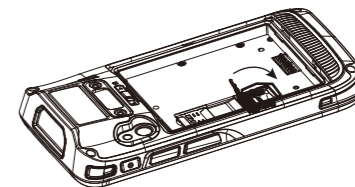
2. Open the card cover upwards and insert a TF card, as shown in the figure below.



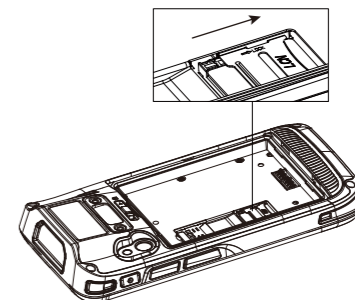
(Note: TF cards, namely Micro SD cards, are applicable to the iData 50. After replacing a TF card, restart the iData 50.)

## Inserting a TF Card

3. Close the card cover, as shown in the figure below.



4. Pull back the card cover by following the LOCK direction marked on the card cover.



(Note: TF cards, namely Micro SD cards, are applicable to the iData 50. After replacing a TF card, restart the iData 50.)

## Charging

You can charge a battery by using:

1. Charging stand;
2. 1-slot charging & communication stand / Bottom charging cable (to be purchased separately).



Bottom charging cable



1-slot charging & communication stand / Charging stand

Description of charging indicator:

When the battery is in the charging status, the charging indicator is in red.

When the battery is fully charged, the charging indicator is in green.

- When the battery volume is low,
- (1) a message indicating that the battery volume is less than 20% is displayed on the screen.
  - (2) the iData 50 gives out a low battery prompt tone.
  - (3) the charging indicator blinks in red.

Tips

The following operations help obtain a longer standby duration of the device.

- Shorten the time to sleep by selecting Settings > Display > Sleep.
- Set the screen brightness to a small value by selecting Settings > Display > Brightness.
- Disable functions that are not frequently used, for example, GPS, Bluetooth, Wi-Fi and 3G communication.

## Battery Safety Instructions



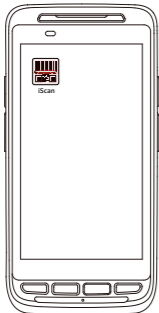
Battery

- The battery of the iData 50 is a polymer battery. The battery and the battery cover are integrated.
- Please use the charger specified by iData. Do not replace the desktop stand or adapter at random.
- When you first get the battery, the remaining battery volume may be around 50%. You may charge the iData 50 by using the power adapter delivered with the iData 50 or a desktop stand (to be purchased separately). Charge the iData 50 for more than eight hours for the first time.
- Do not contact battery electrodes by using metal objects, for example, keys, or short circuit the battery electrodes.
- Do not put the battery in an environment that is too hot, too damp or corrosive. Do not squeeze or collide the battery.
- Do not store the battery on a long-term basis when the battery is empty or is full. Store the battery when the battery volume is around 50%.
- If you will not use the iData 50 for a long time, please take out the battery from the iData 50.
- If the battery swells or expands, please replace the battery in time.

## Enabling the Scan Function

### To start the iScan program and enable scanning, do as follows:

1. Click the iScan icon on the menu page.
2. Click the blue slider on the right of Enable Barcode Scanning to enable the scanning function (if you click the slider again, the scanning function is disabled).
3. Press the yellow key to scan a barcode. When the scanning indicator becomes blue from red and a beep is heard, the barcode is scanned successfully.

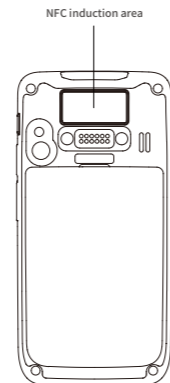


Note: iScan is used to scan barcodes. By default, iScan is installed and scanning is enabled upon delivery of the device. You can down the latest version from the following address:  
<http://t.cn/8kShwCo>

## Enabling the NFC Function

### To enable the NFC function, do as follows:

1. Click the Settings icon on the menu page.
2. Select WIRELESS & NETWORKS/More > NFC.
3. Click the blue slider on the right to enable NFC (if you click the blue slider again, NFC is disabled).
4. Put an NFC card close to the back of the iData 50. After a beep is heard, the card is read successfully.



## Troubleshooting

1. Fault: The iData 50 cannot be powered on.  
Solution: Charge the iData 50.

2. Fault: After the iData 50 is connected to the charger, the charging identifier is not displayed.  
Solution: Charge the iData 50 continuously for one hour. If the charging identifier is still not displayed, contact iData after-sales service personnel.

3. Fault: Charging is slow.  
Solution: Make sure you use the original accessory for charging.

4. Fault: After a SIM card is inserted, the iData 50 cannot access the Internet.  
Solution: Make sure that the SIM card is not in arrears and that the SIM card is correctly inserted.

## After-sales Service

After-sales QQ account: 2782597064 (nickname: iData after-sales)

Email: [support@idataglobal.com](mailto:support@idataglobal.com)

Official website: [www.idataglobal.com](http://www.idataglobal.com)

Address: F11, Building B1, Wuxi (Binhu) National Sensing Information Center, No.999, Gaolang East Road, Wuxi City, Jiangsu Province

To know more product information and download detailed instructions, visit the official website of iData.

The supporting software and SDK for relevant functions help you better use the iData 80.

© 2018 IDATA GLOBAL. All Rights Reserved.

## iData series product warranty card

Dear customer,  
Thank you for choosing iData product. You may enjoy the following services after buying iData product:

### [Warranty of free repair service]

- 1) 12-month warranty is given to the device and battery and 3-month warranty is given to other accessories from the day of purchase against functional failure that is not caused due to manmade damage.
- 2) Our after-sale service department will mail out the repaired device within 24 hours after the device with any problem is received, so as to keep you wait for the shortest possible time.
- 3) A device of the same model will be provided free of charge for replacement of the device that cannot be used normally after being returned for repair due to the same problem for 3 times in 1 year.

### [Warranty of paid repair service]

You may choose to use our paid repair service under the following circumstances (including but not limited to):

- 1) There is no warranty card, or the valid invoice is missing, or the warranty period has expired;
- 2) The damage is caused due to force majeure incidents, such as fire, flood, thunder and earthquake;
- 3) The damage is caused as a result of the user's failure to follow the user's manual on the use, maintenance and storage of the product.
- 4) The damage is caused due to the breakdown and repair of the device by non-authorized service personnel.
- 5) Normal wear or consumption of the product is found in its use.
- 6) The product cannot be used due to the reason related to the user's own internet connection and software problem.

### Note:

The parts needed for the product repair service will be available for no more than 1 year after the product manufacturing ceases.

### Reminder:

Please contact our customer service staff before sending any product to us.

<b>WIFI</b>	
Operation Frequency:	2.4G WiFi:2412MHz~2472MHz 5G WiFi Band 1: 5180MHz ~ 5240MHz 5G WiFi Band 2: 5260MHz ~ 5320MHz
Maximum Power:	2.4GHz WiFi: 17.67dBm(E.I.R.P.) 5GHz WiFi Band 1:16.76dBm(E.I.R.P.) 5GHz WiFi Band 2:16.93dBm(E.I.R.P.)
<b>5.8G SRD</b>	
Operation Frequency:	5745MHz ~ 5825MHz
Maximum Power:	13.23dBm (E.I.R.P.)
<b>BT</b>	
Operation Frequency:	2402~2480MHz
Maximum Power:	BT4.0+EDR: 8.75dBm (E.I.R.P.) BT4.0+BLE: -3.64dBm (E.I.R.P.)
<b>NFC</b>	
Operation Frequency:	13.56MHz
Maximum Power:	-30.06dBuA/m@10m
<b>GSM</b>	
Operation Frequency:	E-GSM 900: 880~915MHz DCS 1800: 1710~1785MHz
Maximum Power:	E-GSM 900: 33.51dBm DCS 1800: 29.54dBm
<b>WCDMA</b>	
Operation Frequency:	Band 1 TX:1920MHz~1980MHz,RX:2110MHz~2170MHz Band 8 TX:880MHz~915MHz, RX:925MHz~960MHz
Maximum Power (WCDMA Band 1)	23.47dBm
Maximum Power (WCDMA Band 8):	23.30dBm
<b>LTE</b>	
Operation Frequency:	Band 1 TX:1920MHz ~ 1980MHz,RX:2110MHz~2170MHz Band 3 TX:1710MHz ~ 1785MHz,RX:1805MHz~1880MHz Band 7 TX:2500MHz ~ 2570MHz,RX:2620MHz~2690MHz Band 8 TX:880MHz ~ 915MHz,RX:925MHz~960MHz Band 20 TX:832MHz ~ 862MHz,RX:791MHz~821MHz Band 38 TX:2570MHz ~ 2620MHz,RX: 2570MHz ~ 2620MHz Band 40 TX:2300MHz ~ 2400MHz,RX:2300MHz ~ 2400MHz
Maximum Power(LTE Band 1):	22.69dBm
Maximum Power(LTE Band 3):	22.53dBm
Maximum Power(LTE Band 7):	22.40dBm
Maximum Power(LTE Band 8):	23.09dBm
Maximum Power(LTE Band 20):	23.49dBm
Maximum Power(LTE Band 38):	23.56dBm
Maximum Power(LTE Band 40):	23.20dBm

**Manufacturer:** Wuxi iData Technology Company Ltd.

### Address of

**Manufacturer:** Floor 11, Building B1, No.999 Gaolang East Road, Wuxi City, P.R.C.

- 1.Risk of explosion if battery is replaced by an incorrect type. Dispose of used batteries according to the instructions.

- 2.Adapter shall be installed near the equipment and shall be easily accessible.

- 3.The product shall only be connected to a USB interface of version USB 2.0.

- 4.The operating temperature of the EUT can't exceed 40°C and shouldn't be lower than -10°C.

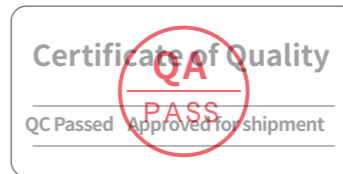
- 5.Use careful with the earphone maybe possible excessive sound pressure from earphones and headphones can cause hearing loss.



- 6.The device complies with RF specifications when the device used at 5mm from your body and 0mm from your head.

- 7.The UNII Band 1 indoor use only.

Hereby, Wuxi iData Technology Company Ltd. declares that this Smart Device product is in compliance with essential requirements and other relevant provisions of Directive 2014/53/EU. This product is allowed to be used in all EU member states.



## FCC Statement

### 15.19 Labeling requirements.

This device complies with part 15 of the FCC Rules. Operation is subject to the following two conditions: (1) This device may not cause harmful interference, and (2) this device must accept any interference received, including interference that may cause undesired operation.

### 15.21 Information to user.

Any Changes or modifications not expressly approved by the party responsible for compliance could void the user's authority to operate the equipment. WiFi 5G does not support hotspot.

### 15.105 Information to user.

This equipment has been tested and found to comply with the limits for a Class B digital device, pursuant to Part 15 of the FCC Rules. These limits are designed to provide reasonable protection against harmful interference in a residential installation. This equipment generates uses and can radiate radio frequency energy and, if not installed and used in accordance with the instructions, may cause harmful interference to radio communications. However, there is no guarantee that interference will not occur in a particular installation. If this equipment does cause harmful interference to radio or television reception, which can be determined by turning the equipment off and on, the user is encouraged to try to correct the interference by one or more of the following measures:

- Reorient or relocate the receiving antenna.
- Increase the separation between the equipment and receiver.
- Connect the equipment into an outlet on a circuit different from that to which the receiver is connected.
- Consult the dealer or an experienced radio/TV technician for help.

### Specific Absorption Rate (SAR) information:

This product meets the government's requirements for exposure to radio waves. The guidelines are based on standards that were developed by independent scientific organizations through periodic and thorough evaluation of scientific studies. The standards include a substantial safety margin designed to assure the safety of all persons regardless of age or health.

FCC RF Exposure Information and Statement The SAR limit of USA (FCC) is 1.6 W/kg averaged over one gram of tissue. This device was tested for typical body-worn operations with the back of the handset kept 10mm from the body. To maintain compliance with FCC RF exposure requirements, use accessories that maintain a 10mm separation distance between the user's body and the back of the handset. The use of belt clips, holsters and similar accessories should not contain metallic components in its assembly. The use of accessories that do not satisfy these requirements may not comply with FCC RF exposure requirements, and should be avoided.

### Body-worn Operation

This device was tested for typical body-worn operations. To comply with RF exposure requirements, a minimum separation distance of 10mm for body worn must be maintained between the user's body, including the antenna. Third-party belt-clips, holsters, and similar accessories used by this device should not contain any metallic components. Body-worn accessories that do not meet these requirements may not comply with RF exposure requirements and should be avoided. Use only the supplied or an approved antenna.