

Date: 2024-05-09

Subject: Statement to disable onboard PCB antenna

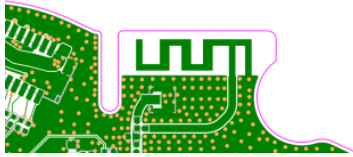
FCC ID: 2ADDW-T10SE

IC: 23804-T10SE

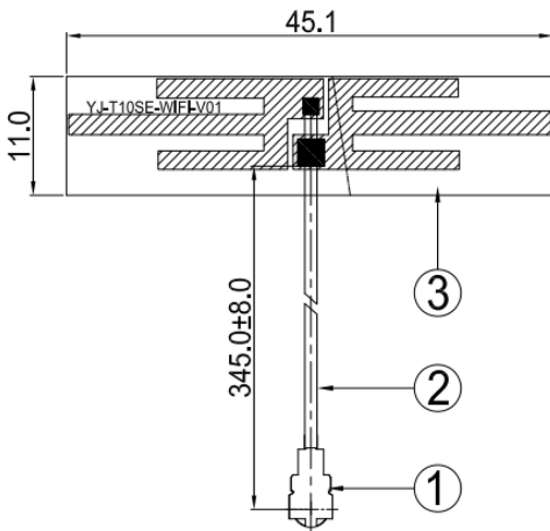
To Whom It May Concern:

We *Shenzhen Topband Co., Ltd* hereby declare that

The following onboard PCB antenna is not connected and not used for this product,



Only the following FPC antenna is used for this product.



Best Regards

Contact name: Ou Liang *Ou Liang*

Company name: Shenzhen Topband Co., Ltd

Address: Topband Industrial Park, LiYuan Industrial Zone, ShiYan Town, Bao'An District, 518108 Shenzhen, PEOPLE'S REPUBLIC OF CHINA

E-mail: oul@topband.com.cn

Tel: 13794460855