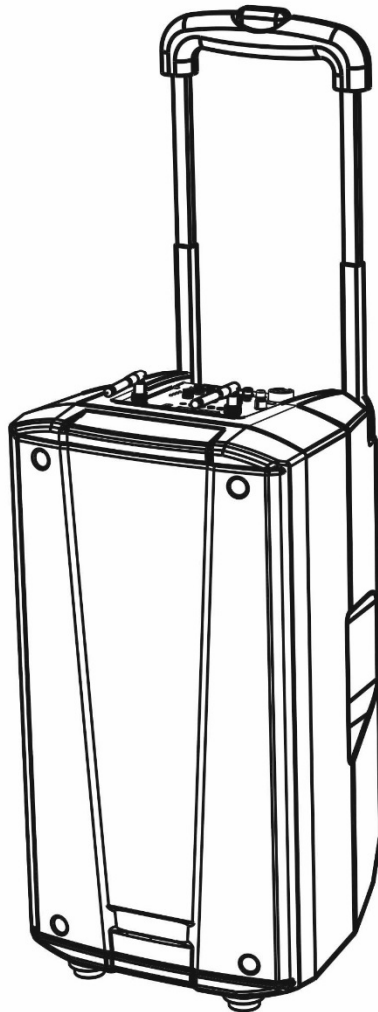


B·HYPE

Bi-amp Battery-powered Speaker 



Handheld Transmitter Version / Backpack Transmitter Version

Quick start user manual *Section 1*

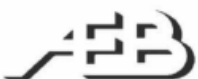
The warnings in this manual must be observed together with the "USER MANUAL - Section 2".

Le avvertenze nel presente manuale devono essere osservate congiuntamente al "MANUALE D'USO - Sezione 2".

Die Warnungen in diesem Handbuch müssen in Verbindung mit der "BEDIENUNGSANLEITUNG - Abschnitt 2" beobachtet werden".

Les avertissements spécifiés dans ce manuel doivent être respectés ainsi que les "CARACTERISTIQUES TECHNIQUES - Section 2"

Las advertencias del presente manual se deben tener en cuenta conjuntamente con las del "MANUAL DEL USUARIO" - Sección 2".



A.E.B. Industriale Srl Via Brodolini, 8 Località Crespellano 40053 VALSAMOGGIA BOLOGNA (ITALIA)
Tel +39 051 969870 Fax +39 051 969725 www.dbtechnologies.com info@dbtechnologies-aeb.com



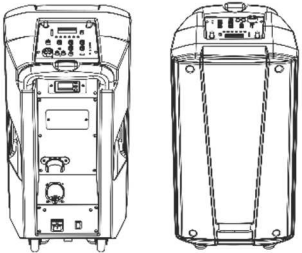
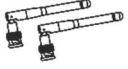
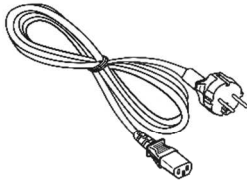
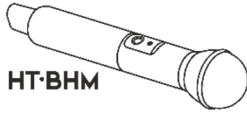
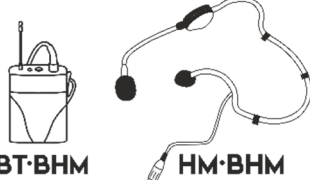

Thank you for choosing a dBTechnologies Product!

B-HYPE MOBILE is the new bi-amped dBTechnologies battery speaker, available in two versions: handheld transmitter or bodypack transmitter. It is equipped with: one 1" compression driver exit (1.4" voice coil) and one 10" woofer (2" voice coil). The input section allows the user to connect: up to three cabled inputs, one wireless microphone, and different media inputs (included Bluetooth® one).

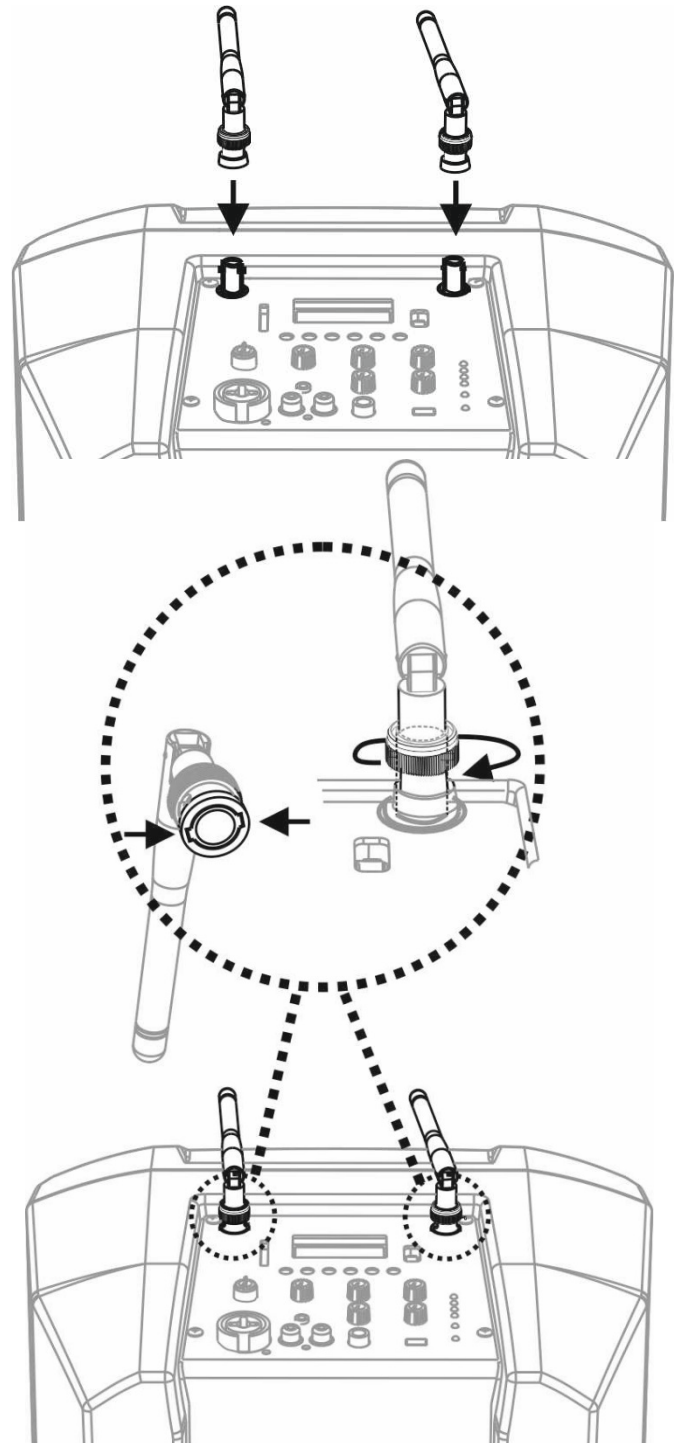
Check the site www.dbtechnologies.com for the complete user manual!

1) Unpacking

The box contains:

 <p>REAR SIDE FRONT SIDE</p>	<p>B-HYPE MOBILE SPEAKER</p>
	<p>B-HYPE MOBILE ANTENNAS</p>
	<p>B-HYPE POWER CORD</p>
 <p>HT-BHM</p>	<p>INCLUDED IN HANDHELD TRANSMITTER VERSION ONLY*</p>
 <p>BT-BHM HM-BHM</p>	<p>INCLUDED IN BODYPACK TRANSMITTER VERSION ONLY*</p>
	<p>QUICKSTART AND WARRANTY DOCUMENTS</p>
<p>* SOLD ALSO AS SEPARATED ACCESSORIES</p>	

a) Mount the antennas

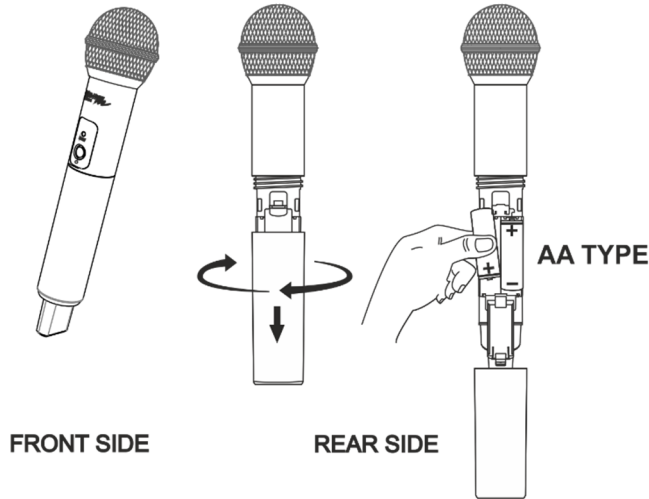


b) Place the batteries (not included)

2) Before you start

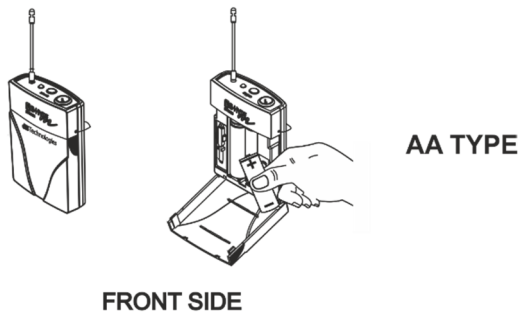
Please note that for the proper use of the integrated charger of B-HYPE MOBILE, only Ni-MH batteries must be used with the HT-BHM.

HT·BHM



⚠ USE RECHARGEABLE NI-MH BATTERIES ONLY. DO NOT USE ALKALINE, LITHIUM, NiCd OR OTHER BATTERY CHEMISTRY.

BT·BHM



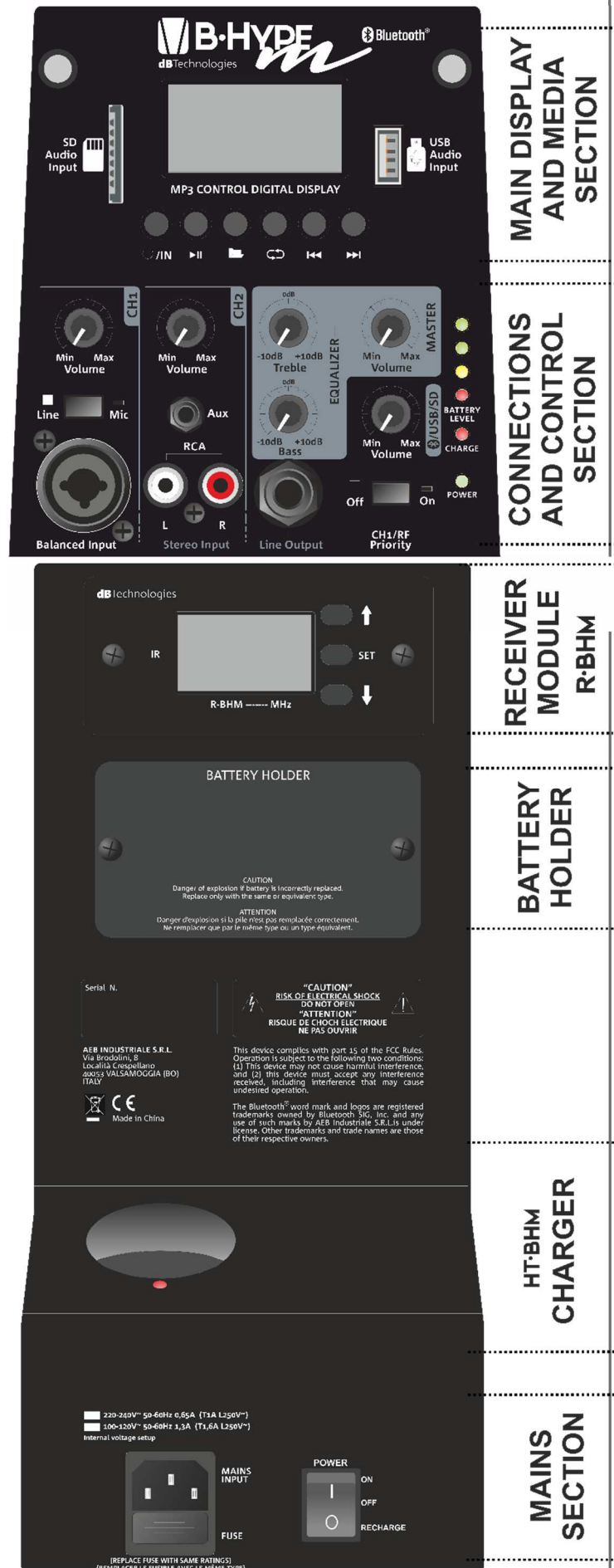
YOU CAN USE ANY TYPE OF AA BATTERIES

3) A controls overview

The top and rear panel can be divided in main sections:

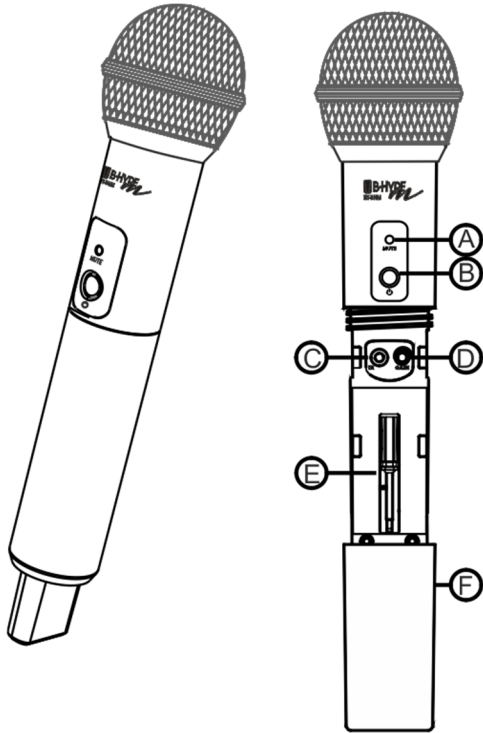
- MAIN DISPLAY AND MEDIA SECTION
- CONNECTIONS AND CONTROL SECTION
- RECEIVER MODULE R-BHM
- BATTERY HOLDER
- HT-BHM CHARGER
- MAINS SECTION

In the following chapters these sections are presented and they are recalled with reference to this scheme.

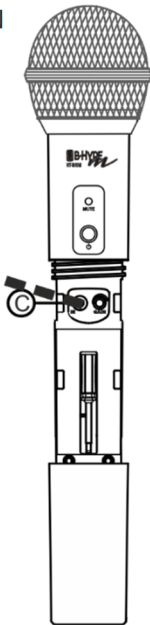
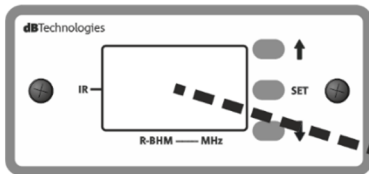


4) Turn on and synchronize your transmitter to the receiver module R-BHM

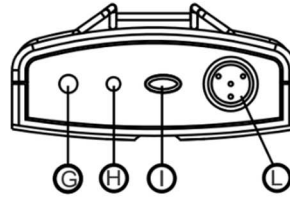
HT·BHM



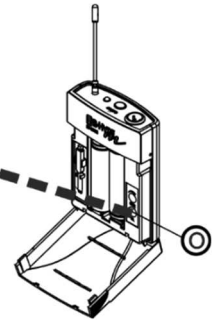
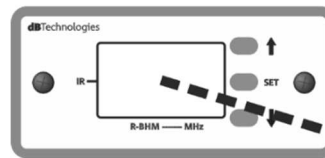
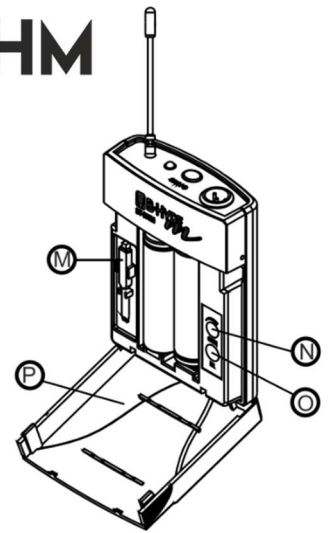
- A – STATUS LED
- B – POWER/MUTE SWITCH
- C – IR LENS
- D – GAIN (INPUT SENSITIVITY)
- E – PLASTIC SCREWDRIVER FOR [D] GAIN
- F – BATTERY COVER



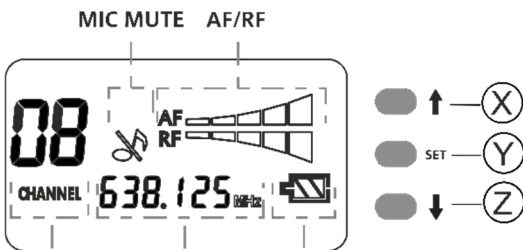
BT·BHM



- G – ANTENNA
- H – STATUS LED
- I – POWER/MUTE SWITCH
- L – 4-POLE CONNECTOR FOR HEADSET



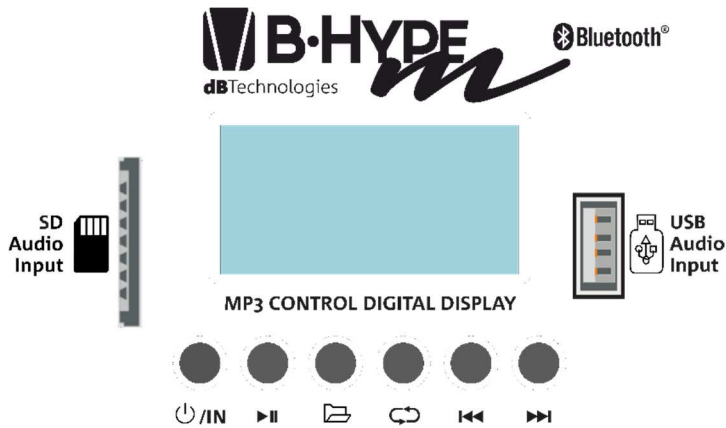
R·BHM



CHANNEL FREQUENCY BATTERY LEVEL
 AF = AUDIO VOLUME INTENSITY
 RF = WIRELESS RECEPTION INTENSITY

1. Turn on the B-HYPE MOBILE (see chapter 8 for further information), and check that the MASTER Volume is on a medium/low level (see chapter 6).
2. Unscrew the battery cover [F] of HT-BHM or open the [P] one of BT-BHM
3. On the transmitter, hold down for some seconds the “POWER” button [B], or [I] (for HT-BHM or BT-BHM).
4. On the receiver, select one of the eight available channels by pressing shortly [X] or [Z] buttons.
5. Hold down for some seconds the [X] button, then release it. The CHANNEL number in the display starts blinking.
6. The IR LENS of the transmitter must be faced with the display of the RECEIVER MODULE R-BHM as shown in the pictures.
7. The transmitter is then synchronized to the receiver in some seconds, and the CHANNEL number in the display become fixed.
8. RF indicator in the display shows the wireless reception intensity with a synchronized transmitter, the AF the audio volume one. You can enter the related submenus by pressing SET button. In the transmitter you can set the gain ([D] or [N]) with the related screwdriver [E] or [M].
9. Screw the battery cover [F] of HT-BHM or close the [P] one of BT-BHM.

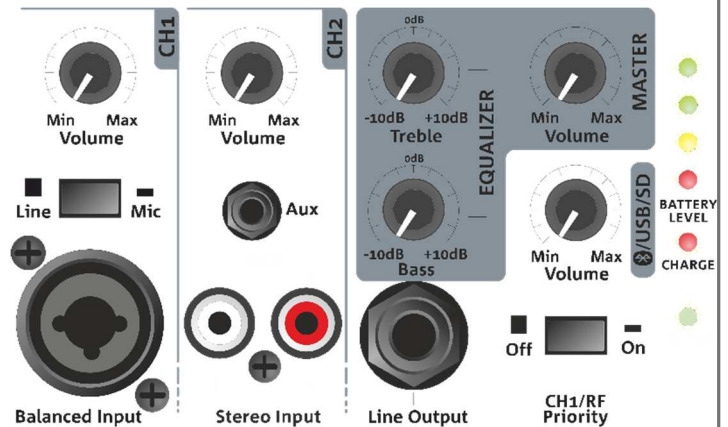
5) Main display and media section



In this section you can find:

- SD Audio Input:
- USB Audio Input:
- Controls buttons

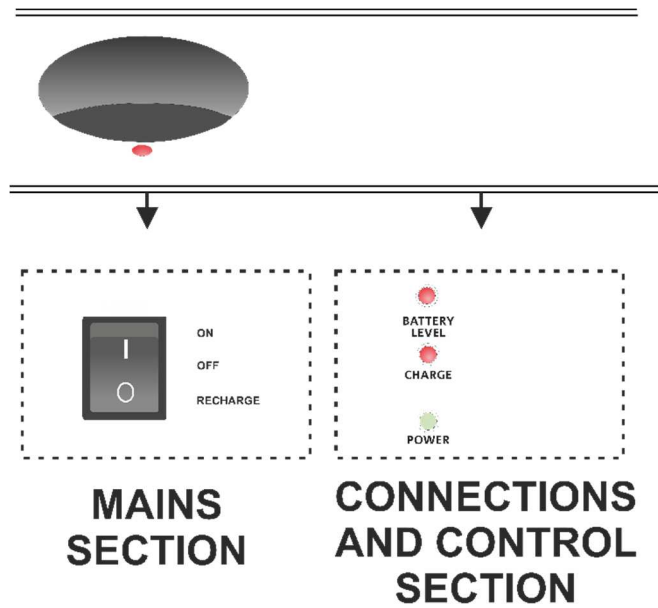
6) Connections and controls section



In this section you can find:

- CH1: Balanced\Unbalanced input (XLR/TLR combo connector type) with input sensitivity switch and channel volume control.
- CH2: Aux input connector for 3,5 mm jack and RCA input connectors with channel volume control.
- Master section with EQUALIZER rotaries (Treble and Bass separated regulations) and MAIN volume control.
- Bluetooth®/USB/SD volume control.
- Unbalanced Line Output.
- CH1/RF Priority. If in "On" position the source audio level of CH2 and of Bluetooth®/USB/SD is instantly reduced by the presence of the CH1/RF signal).

7) The HT-BHM charger



8) Mains section

220-240V~ 50-60Hz 0,65A (T1A L250V~)
 100-120V~ 50-60Hz 1,3A (T1,6A L250V~)
 Internal voltage setup



The mains section contains:

- Mains VDE connector
- Mains switch

The B-HYPE usage mode are:

- ON (B-HYPE MOBILE is fully operative and it can operate with the battery without the mains cable, if charged, or with the mains cable inserted)
- OFF
- RECHARGE (the battery charges with the power cord inserted)

B-hype MOBILE can be used while charging the handheld transmitter HT-BHM. In order to correctly charge the transmitter:

1. Use the proper HT-BHM batteries (Ni-MH AA type only)
2. Insert the handheld in the charger on the rear panel
3. Turn on the B-HYPE MOBILE (LED "Power" green)
4. The Led in the charger can be:
 - RED – the batteries are charging
 - GREEN – the batteries are fully charged
 - FLASHING RED – the batteries are not of the proper type



Check periodically the site www.dbtechnologies.com for any firmware, documentation, and new accessories update.

Check the complete user manual on www.dbtechnologies.com for further information about the system and available accessories.

Scarica il manuale completo da www.dbtechnologies.com per ogni ulteriore informazione sul sistema e sugli accessori disponibili.

Für weitere Informationen und verfügbares Zubehör lesen sie bitte die vollständige Bedienungsanleitung unter www.dbtechnologies.com.

Vérifiez le manuel de l'utilisateur complet sur www.dbtechnologies.com pour des informations complémentaires du système et des accessoires disponibles.

Compruebe el manual de usuario completo sobre www.dbtechnologies.com para la información adicional sobre el sistema y accesorios disponibles.

Technical Data

Speaker Type: 2-way battery speaker with wireless microphone (handheld or bodypack versions)

Acoustical data

Usable Bandwidth [-10 dB]: 62 - 20000 Hz

Frequency Response [-6 dB]: 66 - 18100 Hz

Max SPL (1 m): 123 dB

HF compression driver: 1" Exit

HF voice coil: 1.4"

LF: 10"

LF Voice Coil: 2"

Crossover frequency: 2400 Hz

Horizontal dispersion: 90°

Vertical dispersion: 45°

Amplifier

Amp Technology: Amp SMPS Power Supply

Amp Class: Class-D

RMS Power: 95 W

Peak Power: 190 W

Cooling: Passive (convection)

Integrated transmitter Charger

Rechargeable Device: HT-BHM handheld only

Compatible batteries: Ni-MH rechargeable only

B-HYPE MOBILE battery

Battery type: Lithium

Charging time: Less than 4 hours

Mean usage time: 2 hours

Controls

Controls: Audio attenuation, DSP presets

RF section

Available bands:

Input / Output

Mains connections: VDE

Signal Input: (Balanced) 1x XLR IN

Signal Out: (Balanced) 1 x XLR link OUT

USB connector: mini USB B-type (for SERVICE DATA)

Mechanics

Housing: Plastic cabinet

Grille: Full grille

Handles: 1 for each side, 1 on top (retractable)

Width: 300 mm (11.81 in)

Height: 568 mm (22.36 in)

Depth: 301 mm (11.86 in)

Weight (without transmitter): 12.5 kg (27 lbs.)



Scan with your QR Reader App to download the complete User Manual

Download the complete user manual on:

www.dbtechnologies.com/EN/Downloads.aspx

POWER SUPPLY SPECIFICATIONS (POWER ABSORPTION)

Draw at 1/8 of full power in average use conditions (*): 1.6 A (220-240V[~]) - 2.8 A (100-120V[~])

Draw at 1/3 of full power in maximum use conditions (**): 2.7 A (220-240V[~]) - 4.7 A (100-120V[~])

Power absorption with speaker turned on without signal (idle): 22 W

* INSTALLER NOTES: The values refer to 1/8 of full power, in average operating conditions (music program with infrequent or no clipping). It is recommended to consider them the minimum sizing values for any type of configuration.

** INSTALLER NOTES: The values refer to 1/3 of full power, in heavy operating conditions (music program with frequent clipping or activation of the limiter). We recommend sizing according to these values in case of professional installations and tours.

EMI CLASSIFICATION

According to the standards EN 55103 this equipment is designed and suitable to operate in CLASS B Electromagnetic environments.

FCC CLASS B STATEMENT ACCORDING TO TITLE 47, PART 15, SUBPART B, §15.105

This equipment has been tested and found to comply with the limits for a Class B digital device, pursuant to part 15 of the FCC Rules. These limits are designed to provide reasonable protection against harmful interference in a residential installation.

This equipment generates, uses and can radiate radio frequency energy and, if not installed and used in accordance with the instructions, may cause harmful interference to radio communications.

However, there is no guarantee that interference will not occur in a particular installation. If this equipment does cause harmful interference to radio or television reception, which can be determined by turning the equipment off and on, the user is encouraged to try to correct the interference by one or more of the following measures:

1. Reorient or relocate the receiving antenna.
2. Increase the separation between the equipment and receiver.
3. Connect the equipment into an outlet on a circuit different from that to which the receiver is connected.
4. Consult the dealer or an experienced radio/TV technician for help.

Changes or modifications not expressly approved by the party responsible for compliance could void the user's authority to operate the equipment.

B-HYPE MOBILE:

FCC ID:2ADDV-BHYPEM(USA) IC:12207A-BHYPEM(CANADA)

WARNING: Make sure that the loudspeaker is securely installed in a stable position to avoid any injuries or damages to persons or properties. For safety reasons do not place one loudspeaker on top of another without proper fastening systems. Before hanging the loudspeaker check all the components for damages, deformations, missing or damaged parts that may compromise safety during installation. If you use the loudspeakers outdoor avoid spots exposed to bad weather conditions.

Contact dB Technologies for accessories to be used with speakers. dBTechnologies will not accept any responsibility for damages caused by inappropriate accessories or additional devices.

Features, specification and appearance of products are subject to change without notice. dBTechnologies reserves the right to make changes or improvements in design or manufacturing without assuming any obligation to change or improve products previously manufactured.

The Bluetooth® word mark and logos are registered trademarks owned by Bluetooth® SIG, Inc. and any use of such marks by AEB Industriale SRL is under license. Other Trademarks and trade names are those of their respective owners.