



**DT-3BT 40-Watt Multimedia Desktop
Powered Speakers with Bluetooth®**

P/N 43240

User's Manual

SAFETY WARNINGS AND GUIDELINES

Please read this entire manual before using this device, paying extra attention to these safety warnings and guidelines. Please keep this manual in a safe place for future reference.

- This device is intended for indoor use only.
- Do not expose this device to water or moisture of any kind. Do not place drinks or other containers with moisture on or near the device. If moisture does get in or on the device, immediately remove it from its power source and allow it to fully dry before reapplying power.
- Do not touch the device, the power cord, or any other connected cables with wet hands.
- If operating this speaker in a humid environment, ensure that no condensation occurs. Condensation could cause damage to the speaker cone and could cause a short in the amplifier, which in turn could cause fire or severe electric shock.
- Do not install this device on an unstable surface where it could fall and cause either personal injury or damage to the device and/or other equipment.
- Do not expose this device to excessive vibration or extreme force, shock, or fluctuations in temperature or humidity.
- Avoid prolonged exposure to excessive volume levels, which could cause hearing damage. Reduce the volume to minimum before using these speakers, then increase the volume to a comfortable listening level.

- Do not expose this device to excessively high temperatures. Do not place it in, on, or near a heat source, such as a fireplace, stove, radiator, etc. Do not leave it in direct sunlight.
- Do not place or install this device in an area where it can be exposed to excessive amounts of dust, humidity, oil, smoke, or combustible vapors.
- Prior to operation, check the unit and power cord for physical damage. Do not use if physical damage has occurred.
- Before plugging the unit into a power outlet, ensure that the outlet provides the same type and level of power required by the device.
- Unplug this device from the power source when not in use.
- Take care to prevent damage to the power cord. Do not allow it to become crimped, pinched, walked on, or become tangled with other cords. Ensure that the power cord does not present a tripping hazard.
- Never unplug the unit by pulling on the power cord. Always grasp the connector head or adapter body.
- Ensure that power is turned off and disconnected before making any electrical connections.
- Clean using a soft, dry cloth only. Do not use chemical cleaners, solvents, or detergents. For stubborn deposits, moisten the cloth with warm water.
- This device has no user serviceable parts. Do not attempt to open, service, or modify this device.

FEATURES

- 3" polypropylene cone woofers
- 3/4" silk dome tweeters
- 75Hz ~ 20kHz frequency response
- Class AB amplifiers
- Each speaker and driver independently amplified
- 2x 12 watt amplifiers for the woofers
- 2x 8 watt amplifiers for the tweeters
- Unbalanced stereo RCA pair, unbalanced stereo 3.5mm TRS, stereo balanced 1/4" TRS pair, and Bluetooth® inputs
- 3.5mm headphone jack

CUSTOMER SERVICE

The Monoprice Customer Service department is dedicated to ensuring that your ordering, purchasing, and delivery experience is second to none. If you have any problem with your order, please give us an opportunity to make it right. You can contact a Monoprice Customer Service representative through the Live Chat link on our website www.monoprice.com or via email at support@monoprice.com. Check the website for support times and links.

PACKAGE CONTENTS

Please take an inventory of the package contents to ensure you have all the items listed below. If anything is missing or damaged, please contact Monoprice Customer Service for a replacement.

1x DT-3BT Primary Speaker

1x DT-3BT Secondary Speaker

1x Speaker Interconnect Cable

1x 3.5mm Stereo Audio Cable

1x Stereo RCA Cable

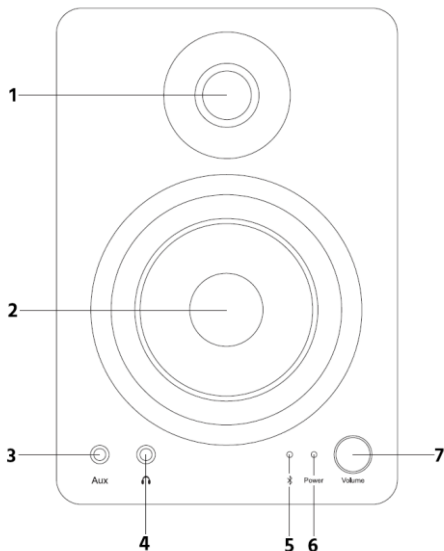
1x Foot Mat

1x AC Power Cord

1x User's Manual

PRODUCT OVERVIEW

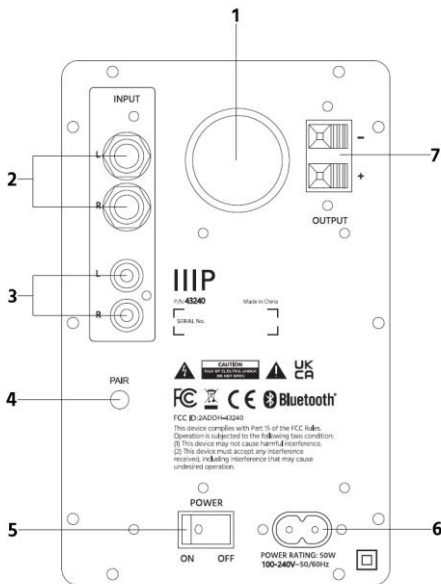
Primary Speaker Front Panel



1. **Tweeter:** 3/4" silk dome tweeter.
2. **Woofer:** 3" polypropylene cone woofer.
3. **Aux:** 3.5mm stereo AUX input.
4. **Headphones:** 3.5mm headphones output.
5. **Bluetooth:** Bluetooth® status indicator.
6. **Power:** Power status indicator.

7. **Volume:** Volume level control.

Primary Speaker Rear Panel



1. **BASS REFLEX PORT:** Bass reflex port for enhanced bass response.
2. **TOP INPUT:** Stereo balanced 1/4" TRS inputs.
3. **BOTTOM INPUT:** Stereo unbalanced RCA inputs.
4. **PAIR:** Bluetooth® pairing button.

5. **POWER:** Power switch for turning the speakers on or off.
6. **AC INPUT:** Unpolarized IEC 60320 C8 input for connecting the included AC Power Cord.
7. **OUTPUT:** Speaker interconnect output for connecting the secondary speaker.

INSTALLATION

Ensure that power is turned off and disconnected on all equipment to be connected before making any electrical connections.

1. Ensure that the **POWER** switch on the **Primary Speaker** is in the **OFF** position.
2. Place the **Primary Speaker** and **Secondary Speaker** in their intended locations.
3. Connect one end of the included Speaker Interconnect Cable to the **INPUT** connectors on the **Secondary Speaker Rear Panel**, then connect the other end to the **OUTPUT** connectors on the **Primary Speaker Rear Panel**.
4. (Optional) Plug one end of the included **Stereo RCA Cable** into the **BOTTOM INPUT** jacks on the **Primary Speaker Rear Panel**, then plug the other end into the RCA output jacks on your audio source device.
5. (Optional) Plug one end of the included **3.5mm Stereo Audio Cable** into the **Aux** jack on the **Primary Speaker Front Panel**, then plug the

other end into the audio output on your audio source device, such as the headphones output on your smartphone.

6. (Optional) Plug one end of two 1/4" TRS cables (available separately) into the **TOP INPUT** jacks on the **Primary Speaker Rear Panel**, then plug the other ends into the output on your audio source device, such as a mixer.
7. Plug the included **AC Power Cord** into the **AC INPUT** on the **Primary Speaker Rear Panel**, then plug the other end into a nearby AC power outlet.

OPERATION

1. Turn the **Volume** knob on the **Primary Speaker Front Panel** fully counterclockwise to the minimum position.
2. Flip the **POWER** switch on the **Primary Speaker Rear Panel** to the **ON** position.
3. Start audio playback on your preferred device.
4. Slowly turn the **Volume** knob on the **Primary Speaker Front Panel** clockwise until the volume is at a comfortable listening level.

Note that there is no input selector, so the output of the speakers is the sum of all inputs. Unless you specifically want to listen to mix of different sources, only one audio input should be in active use at a time.

BLUETOOTH PAIRING

Perform the following steps to pair your mobile device with the speakers.

1. Turn the **VOLUME** knob on the **Primary Speaker Front Panel** fully counterclockwise to the minimum position.
2. Flip the **POWER** switch on the **Primary Speaker Rear Panel** to the **ON** position.
3. Press the **PAIR** button on the **Primary Speaker Rear Panel**. The **Bluetooth** LED on the **Primary Speaker Front Panel** will begin flashing, indicating that the speaker is in Bluetooth® pairing mode.
4. Open the Bluetooth settings on your mobile device and scan for nearby Bluetooth devices.
5. Locate and select the **MP43240** entry. If prompted for a passcode, input **0000** (four zeros). Once the connection is established, the **Bluetooth** LED on the **Primary Speaker Front Panel** will cease flashing and will illuminate steadily, indicating that the Bluetooth connection has been successfully made.

Note that the speaker will remember the device it was last paired to. To reconnect after the connection has been broken, open the Bluetooth settings on your device and select Connect to reestablish the connection.

SPECIFICATIONS

P/N	43240
Frequency Response	75Hz ~ 20kHz
Woofer Driver (each)	3" polypropylene cone
Tweeter Driver (each)	3/4" silk dome
Amplifier Type	Class AB amplifier
Woofer Amplifier Power (each)	12 watts
Tweeter Amplifier Power (each)	8 watts
Inputs	Unbalanced stereo 3.5mm TRS, unbalanced stereo RCA pair, balanced stereo 1/4" TRS pair, Bluetooth®
Output	Stereo 3.5mm TRS headphone
Bluetooth® Version	5
Bluetooth Pairing Name	MP43240
Bluetooth Range	Up to 32 feet (10 meters)
Dimensions (each)	5.5" x 8.0" x 5.9" (140 x 204 x 150 mm)

TECHNICAL SUPPORT

Monoprice is pleased to provide free, live, online technical support to assist you with any questions you may have about installation, setup, troubleshooting, or product recommendations. If you ever need assistance with your new product, please come online to talk to one of our friendly and knowledgeable Tech Support Associates. Technical support is available through the online chat button on our website www.monoprice.com or through email by sending a message to tech@monoprice.com. Check the website for support times and links.

To download the latest drivers, firmware, manuals, etc., go to www.monoprice.com and type the **P/N** into the search bar. If available, support files are linked at the bottom of the product page.

REGULATORY COMPLIANCE

Notice for FCC



FCC ID: 2ADDH-43240

This device complies with Part 15 of the FCC rules. Operation is subject to the following two conditions: (1) this device may not cause harmful interference, and (2) this device must accept any interference received, including interference that may cause undesired operation.

Modifying the equipment without Monoprice's authorization may result in the equipment no longer complying with FCC requirements for Class B

digital devices. In that event, your right to use the equipment may be limited by FCC regulations, and you may be required to correct any interference to radio or television communications at your own expense.

This equipment has been tested and found to comply with the limits for a Class B digital device, pursuant to Part 15 of the FCC Rules. These limits are designed to provide reasonable protection against harmful interference in a residential installation. This equipment generates, uses and can radiate radio frequency energy and, if not installed and used in accordance with the instructions, may cause harmful interference to radio communications. However, there is no guarantee that interference will not occur in a particular installation. If this equipment does cause harmful interference to radio or television reception, which can be determined by turning the equipment off and on, the user is encouraged to try to correct the interference by one or more of the following measures:

- Reorient or relocate the receiving antenna.
- Increase the separation between the equipment and receiver.
- Connect the equipment into an outlet on a circuit different from that to which the receiver is connected.
- Consult the dealer or an experienced radio/TV technician for help.

This equipment complies with FCC radiation exposure limits set forth for an uncontrolled environment. This equipment should be installed and operated with minimum distance 20cm between the radiator & your body.

Radio Notice for FCC

Caution

This FCC Part 15 radio device operates on a non-interference basis with other devices operating at this frequency. Any changes or modification to said product not expressly approved by Monoprice, including the use of

non-approved antennas, could void the user's authority to operate this device.

This device complies with Part 15 of the FCC Rules. Operation is subject to the following two conditions: (1) this device may not cause harmful interference, and (2) this device must accept any interference received, including interference that may cause undesired operation.

EU Conformity with applicable directives



This equipment complies with the essential requirements listed below:

- Radio Equipment Directive (RED) 2014/53/EU
- RoHS 2 Directive 2011/65/EU with Directive (EU) 2015/863

UK Conformity with the relevant Union harmonization legislation



This equipment complies with the essential requirements listed below:

- Radio Equipment Regulations 2017
- Restriction of the Use of Certain Hazardous Substances in Electrical and Electronic Equipment Regulations 2012

Monoprice™ and all Monoprice logos are trademarks of Monoprice Inc.

The Bluetooth® word mark and logos are registered trademarks of Bluetooth SIG, Inc.