



# rSDGR Sensor

Fixture Integrated Motion and Photocontrol  
360° COVERAGE • LINE VOLTAGE • OUTDOOR RATED



## SPECIFICATIONS (rSDGR)

### Electrical Specifications

- Input Ratings** rSDGR 120-277VAC, 50/60 Hz 2.5W  
rSDGR HVOLT 347-480VAC, 50/60 Hz 2.5W
- Maximum Load** 450 W @ 120-277  
480 W @ 347-480
- Dimming Load** Sinks <6mA (0-10 VDC LED Drivers/Ballasts)
- Minimum Load** None
- Class Rating** 0-10V Dimming can be wired Class 1 or 2

### Mechanical

- Mounting** Fixture Mounted
- Mounting Height** Up to 40 ft (12.19m)
- Connection Type** Line and Low Voltage Leads

### Environmental

- Warrantied Operating Temperature** -40° to 149° F (-40° to 65° C)
- Standards/ Ratings** RoHS, UL 916, UL 924 (optional), FCC / IC / IFETEL

FCC ID: 2ADCB-RMODIT  
IC: 6715C-RMODIT  
IFETEL: RCPACRM18-1879  
Acuity Brands Lighting Inc. RMODIT

This device complies with Part 15 of the FCC Rules. Operation is subject to the following two conditions: (1) This device may not cause harmful interference, and (2) this device must accept any interference received, including interference that may cause undesired operation.

Este equipo contiene el módulo con IFT #: RCPBIM18-1491 La operación de este equipo está sujeta a las siguientes dos condiciones: (1) es posible que este equipo o dispositivo no cause interferencia perjudicial y (2) este equipo o dispositivo debe aceptar cualquier interferencia, incluyendo la que pueda causar su operación no deseada.

### IMPORTANT SAFEGUARDS

WHEN USING ELECTRICAL EQUIPMENT, BASIC SAFETY PRECAUTIONS SHOULD ALWAYS BE FOLLOWED INCLUDING THE FOLLOWING:

- DO NOT MOUNT NEAR GAS OR ELECTRIC HEATERS.
- EQUIPMENT SHOULD BE MOUNTED IN LOCATIONS AND AT HEIGHTS WHERE IT WILL NOT READILY BE SUBJECT TO TAMPERING BY UNAUTHORIZED PERSONNEL.
- THE USE OF ACCESSORY EQUIPMENT NOT RECOMMENDED BY THE MANUFACTURER MAY CAUSE AN UNSAFE CONDITION.

Changes or modifications not expressly approved by the party responsible for compliance could void the user's authority to operate this equipment.

This device contains licence-exempt transmitter(s)/receiver(s) that comply with Innovation, Science and Economic Development Canada's licence-exempt RSS(s). Operation is subject to the following two conditions:

1. This device may not cause interference.
2. This device must accept any interference, including interference that may cause undesired operation of the device.\*

L'émetteur/récepteur exempt de licence contenu dans le présent appareil est conforme aux CNR d'Innovation, Sciences et Développement économique Canada applicables aux appareils radio exempts de licence. L'exploitation est autorisée aux deux conditions suivantes :

1. L'appareil ne doit pas produire de brouillage;
2. L'appareil doit accepter tout brouillage radioélectrique subi, même si le brouillage est susceptible d'en compromettre le fonctionnement.

NOTE: This equipment has been tested and found to comply with the limits for a Class B digital device, pursuant to part 15 of the FCC Rules. These limits are designed to provide reasonable protection against harmful interference in a residential installation. This equipment generates, uses and can radiate radio frequency energy and, if not installed and used in accordance with the instructions, may cause harmful interference to radio communications. However, there is no guarantee that interference will not occur in a particular installation. If this equipment does cause harmful interference to radio or television reception, which can be determined by turning the equipment off and on, the user is encouraged to try to correct the interference by one or more of the following measures:

1. Reorient or relocate the receiving antenna.
2. Increase the separation between the equipment and receiver.
3. Connect the equipment into an outlet on a circuit different from that to which the receiver is connected.
4. Consult the dealer or an experienced radio/TV technician for help.

## READ AND FOLLOW ALL SAFETY INSTRUCTIONS!

### SAVE THESE INSTRUCTIONS AND DELIVER TO OWNER AFTER INSTALLATION



Expanding the boundaries of lighting™



TITLE 20/24

### WARRANTY

5-year limited warranty.

Full warranty terms located at: [www.acuitybrands.com/CustomerResources/Terms\\_and\\_conditions.aspx](http://www.acuitybrands.com/CustomerResources/Terms_and_conditions.aspx)

NOTE: Specifications subject to change without notice.

Actual performance may differ as a result of end-user environment and application.

- To reduce the risk of death, personal injury or property damage from fire, electric shock, falling parts, cuts/abrasions, and other hazards please read all warnings and instructions included with and on the fixture box and all fixture labels.
- Before installing, servicing, or performing routine maintenance upon this equipment, follow these general precautions.
- Installation and service should be performed by a qualified licensed electrician.
- Maintenance should be performed by qualified person(s) familiar with the products' construction & operation & any hazards involved. Regular maintenance programs recommended.
- To be installed to a circuit with overvoltage category Cat.III or less, minimum suppression rating 6.0 kV for a 600 V ac rms system voltage
- **DO NOT INSTALL DAMAGED PRODUCT!** This product has been properly packed so that no parts should have been damaged during transit. Inspect to confirm. Any part damaged or broken during or after assembly should be replaced.



#### CAUTION - RISK OF PRODUCT DAMAGE

- ✓ Electrostatic Discharge (ESD): ESD can damage product(s). Personal grounding equipment should be worn during all installation or servicing of the unit.
- ✓ Do not touch individual electrical components, as this can cause ESD and affect product performance.
- ✓ Do not stretch or use cable sets that are too short or are of insufficient length.
- ✓ Do not tamper with contacts.
- ✓ Do not modify the product.
- ✓ Do not change or alter internal wiring or installation circuitry.
- ✓ Do not use product for anything other than its intended use.

#### WARNING - RISK OF ELECTRIC SHOCK

- ✓ Disconnect or turn off power before installation or servicing.
- ✓ Verify that supply voltage is correct by comparing it with the product information.
- ✓ Make all electrical and grounded connections in accordance with the National Electrical Code (NEC) and any applicable local code requirements.
- ✓ All wiring connections should be capped with UL approved recognized wire connectors.
- ✓ All unused connector openings must be capped.

#### WARNING - RISK OF BURN OR FIRE

- ✓ Do not exceed maximum wattage, ratings, or published operation conditions of product.
- ✓ Do not overload.
- ✓ Follow all manufacturer's warnings, recommendations and restrictions to ensure proper operation of product.

#### CAUTION - RISK OF INJURY

- ✓ Wear gloves and safety glasses at all times when installing, servicing or performing maintenance.



# rSDGR Sensor

Fixture Integrated Motion and Photocontrol  
360° COVERAGE • LINE VOLTAGE • OUTDOOR RATED



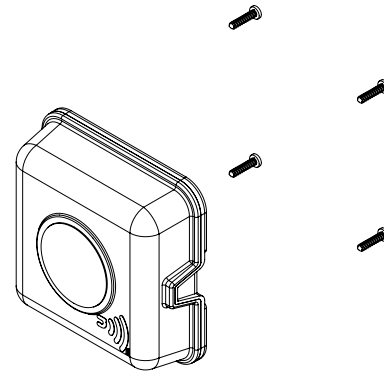
## INSTALLATION INSTRUCTIONS

The rSDGR is a wireless sensor that can be interconnected with the nLight® AIR network of wireless sensors and switches.

The rSDGR is compatible for use embedded in a fixture with analog (0-10VDC) third party drivers for dimming capability. It is connected to line power and includes a relay for on/off operation.

The rSDGR includes a nipple for passing all wiring into a luminaire with a 1/2" hole. It includes screws to attach the device in each corner from inside the fixture. Gasketing along the mounting surface provides IP 65 protection. Mounting surface must be flat in order for the gasket to seal correctly.

The photocell window on the side of the unit should be pointed toward the pole attachment location of the luminaire for proper operation.



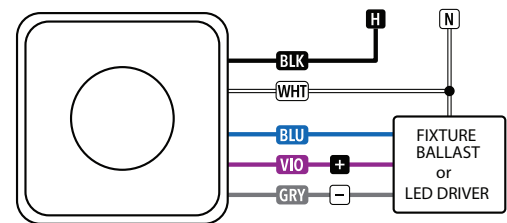
## OUT OF BOX OPERATION

- **Occupancy Control:** Enabled
- **Occupied Dim Level:** 100%
- **Unoccupied Time Until Dim Start:** 7.5 Minutes
- **Dimming Fade Rate Time:** 5 Minutes
- **Unoccupied Dim Level:** 30%
- **Photocontrol:** Enabled
- **Photocontrol Set Point:** 1.5fc ON, 2.25fc OFF
- **Photocontrol Transition On Time:** 45 Seconds
- **Photocontrol Transition Off Time:** 5 Minutes

## WIRING (DO NOT WIRE HOT)

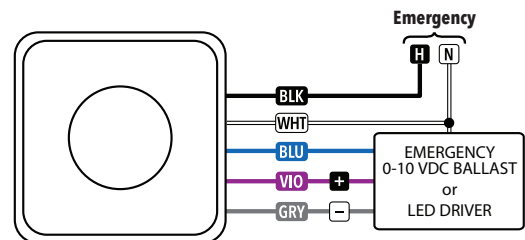
### WIRING TO SINGLE PHASE POWER (120-480 VAC)

- BLACK** - 120-480 VAC Input
- BLUE** - Switched Line Voltage Output to Luminaire
- WHITE** - Neutral
- VIOLET** - Low Voltage Dim Output (0-10 VDC)
- GRAY** - Low Voltage Common



### WIRING TO EMERGENCY (-EM) UNITS

- BLACK** - 120-277 VAC Input Emergency Hot
- BLUE** - Switched Line Voltage Output to Luminaire
- WHITE** - Emergency Neutral
- VIOLET** - Low Voltage Dim Output (0-10 VDC)
- GRAY** - Low Voltage Common



### UL924 Sequence of Operation (EM Option):

For 90 minutes following any complete AC power interruption >30 ms:

- Relay is closed and 0-10V dimming is at high end trim level
- Device ignores wireless lighting control commands

For further troubleshooting guidance, please contact the Controls Technical Support Team

**1(800)-535-2465**