



# **MAVID-3M Antenna Product Data Sheet**

**Revision: 1.0**

**Manufacturer: Libre Wireless Technologies, Inc.  
Model: MAVID-3M  
Antenna Type: PCB  
Antenna Gain: 0.81dBi**

**Libre Wireless Technologies Private Limited**

[librewireless.com](http://librewireless.com)

**Copyright © 2022 Libre Wireless Technologies. All rights reserved.**

Circuit diagrams and other information relating to Libre Wireless Technologies products are included as a means of illustrating typical applications. Consequently, complete information sufficient for construction purposes is not necessarily given. Although the information has been checked and is believed to be accurate, no responsibility is assumed for inaccuracies. Libre Wireless Technologies reserves the right to make changes to specifications and product descriptions at any time without notice. Contact your local Libre Wireless Technologies sales office to obtain the latest specifications before placing your product order. The provision of this information does not convey to the purchaser of the described semiconductor devices any licenses under any patent rights or other intellectual property rights of Libre Wireless Technologies or others. All sales are expressly conditional on your agreement to the terms and conditions of the most recently dated version of Libre Wireless Technologies standard Terms of Sale Agreement dated before the date of your order (the "Terms of Sale Agreement"). The product may contain design defects or errors known as anomalies which may cause the product's functions to deviate from published specifications. Anomaly sheets are available upon request. Libre Wireless Technologies products are not designed, intended, authorized or warranted for use in any life support or other application where product failure could cause or contribute to personal injury or severe property damage. Any and all such uses without prior written approval of an Officer of Libre Wireless Technologies and further testing and/or modification will be fully at the risk of the customer. Copies of this document or other Libre Wireless Technologies literature, as well as the Terms of Sale Agreement, may be obtained by visiting Libre Wireless Technologies website.

**LIBRE WIRELESS TECHNOLOGIES DISCLAIMS AND EXCLUDES ANY AND ALL WARRANTIES, INCLUDING WITHOUT LIMITATION ANY AND ALL IMPLIED WARRANTIES OF MERCHANTABILITY, FITNESS FOR A PARTICULAR PURPOSE, TITLE, AND AGAINST INFRINGEMENT AND THE LIKE, AND ANY AND ALL WARRANTIES ARISING FROM ANY COURSE OF DEALING OR USAGE OF TRADE. IN NO EVENT SHALL LIBRE WIRELESS TECHNOLOGIES BE LIABLE FOR ANY DIRECT, INCIDENTAL, INDIRECT, SPECIAL, PUNITIVE, OR CONSEQUENTIAL DAMAGES; OR FOR LOST DATA, PROFITS, SAVINGS OR REVENUES OF ANY KIND; REGARDLESS OF THE FORM OF ACTION, WHETHER BASED ON CONTRACT; TORT; NEGLIGENCE OF LIBRE WIRELESS TECHNOLOGIES OR OTHERS; STRICT LIABILITY; BREACH OF WARRANTY; OR OTHERWISE; WHETHER OR NOT ANY REMEDY OF BUYER IS HELD TO HAVE FAILED OF ITS ESSENTIAL PURPOSE, AND WHETHER OR NOT LIBRE WIRELESS TECHNOLOGIES HAS BEEN ADVISED OF THE POSSIBILITY OF SUCH DAMAGES**

# Table of Contents

---

- 1. Document Information..... 5**
  - 1.1. Abstract ..... 5
  - 1.2. Document Convention ..... 5
  - 1.3. Document Revision History..... 5
- 2. Introduction ..... 6**
  - 2.1. Design..... 6
- 3. Antenna Measurement Results ..... 7**
  - 3.1. S - parameter ..... 7
  - 3.2. Efficiency..... 7
  - 3.3. Gain ..... 8
  - 3.4. Radiation Pattern..... 8

## Table of Figures

---

Figure 2.1-1: MAVID-3M .....	6
Figure 3.1-1: MAVID-3M onboard PCB antenna S11 test results .....	7
Figure 3.3-1: 3D Radiation pattern at 2450MHZ .....	8



## 1. Document Information

---

### 1.1. Abstract

This document explains PCB Antenna Data Sheet of MAVID-3M.

### 1.2. Document Convention

Icon	Meaning	Description
	Note	Provides information good to know
	Caution	Indicates situation that might result in loss of data or hardware damage

### 1.3. Document Revision History

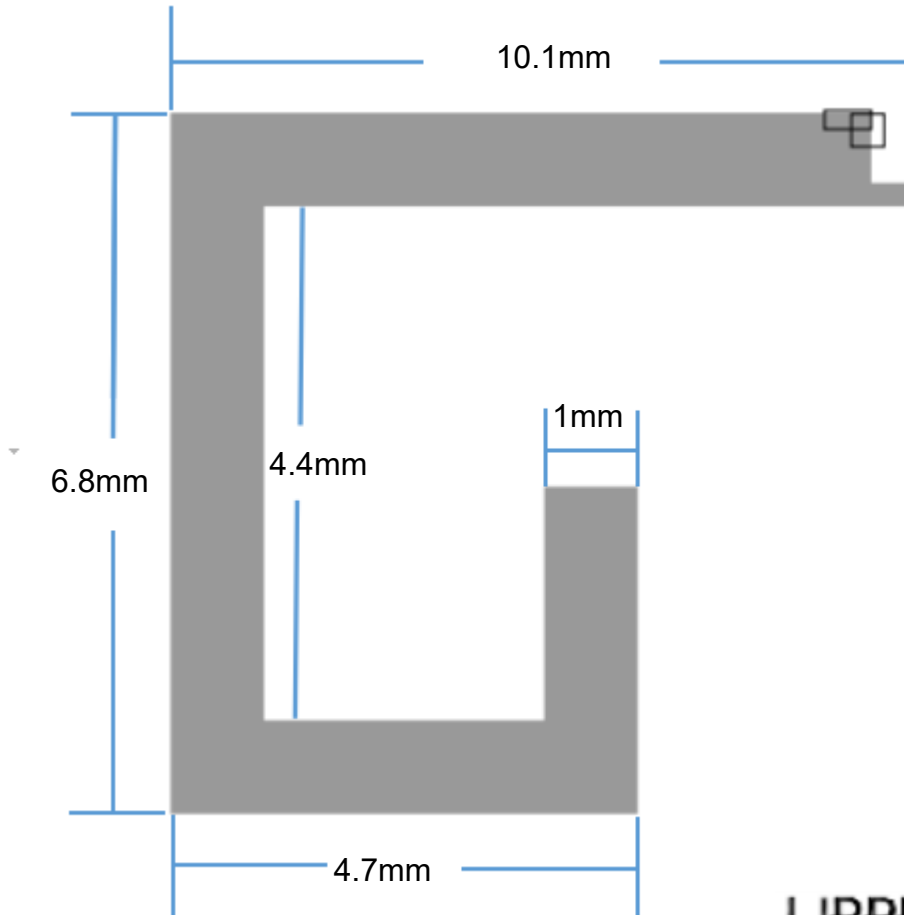
Revision	Date	Description of change	Author
0.1	July 20, 2022	Initial Draft	Chandravel

## 2. Introduction

---

### 2.1. Design

MAVID-3M module utilizes a PCB antenna.  
Antenna design drawing:



## 3. Antenna Measurement Results

### 3.1. S - parameter

MAVID-3M module onboard PCB antenna S11 test results are shown below:

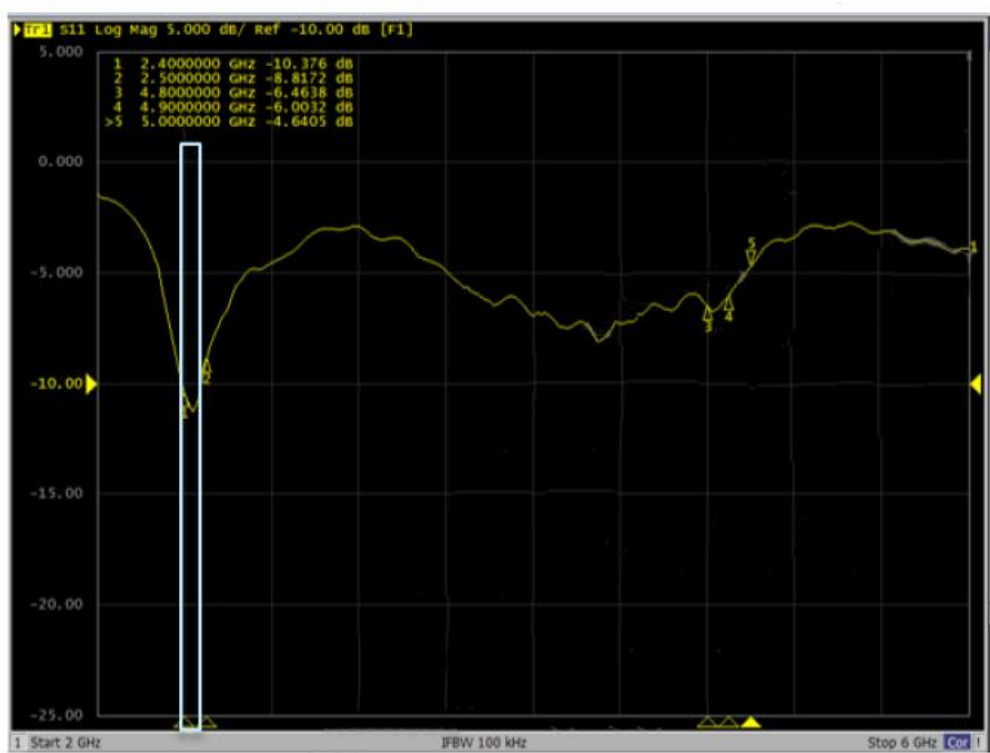


Figure 3.1-1: MAVID-3M onboard PCB antenna S11 test results

### 3.2. Efficiency

MAVID-3M module onboard PCB antenna efficiency test results are shown in the table below:

Frequency	Efficiency
2000 MHz	60%
2450 MHz	60%
2500 MHz	52%

### 3.3. Gain

MAVID-3M PCB Antenna gain is 0.81dBi.

### 3.4. Radiation Pattern

MAVID-3M module onboard PCB antenna 3D radiation patterns at 2450 MHz test results are as below:

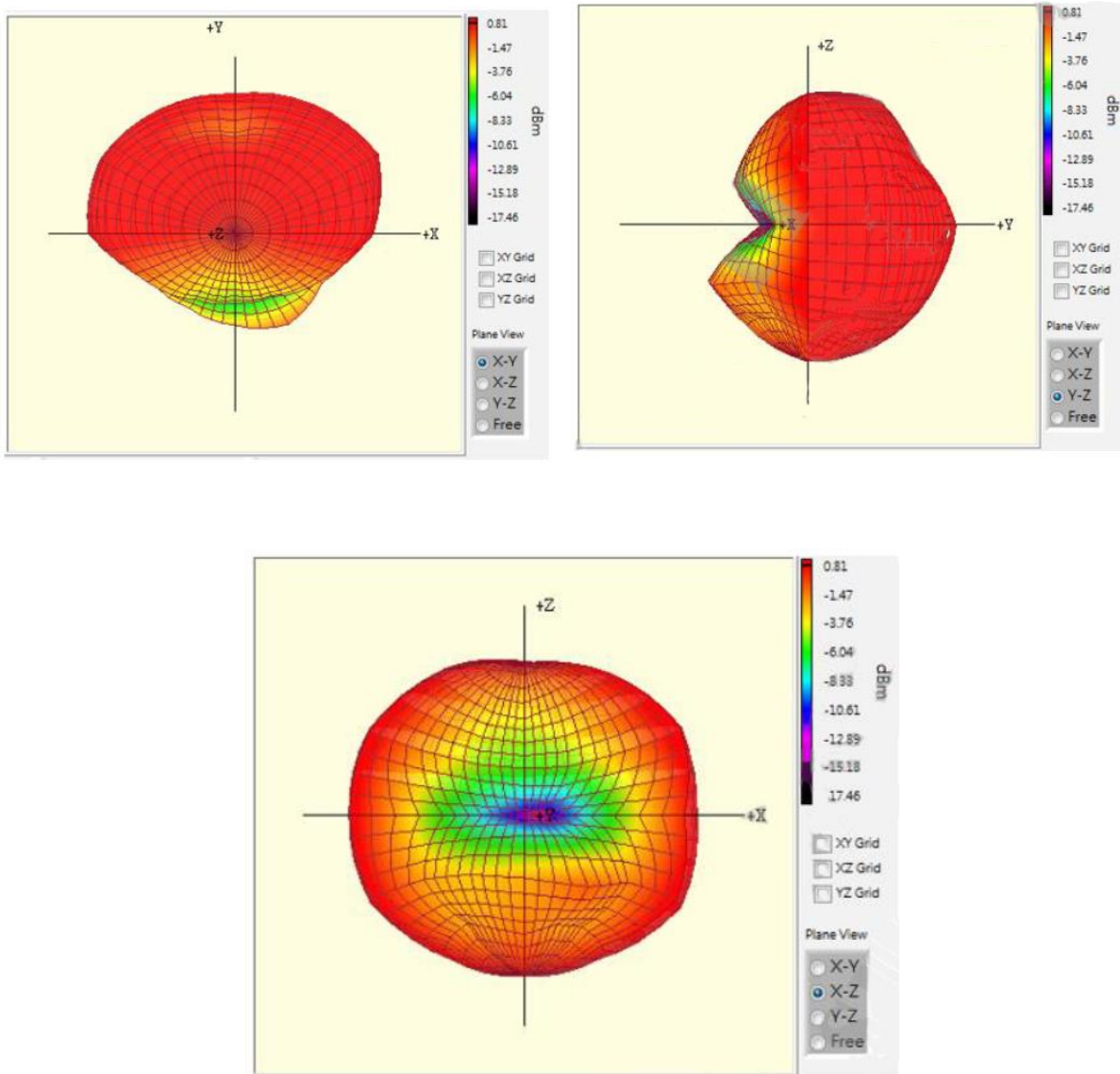


Figure 3.3-1: 3D Radiation pattern at 2450MHZ