

Declaration Letter

We, **Libre Wireless Technologies Inc.** declared that our product **Wireless Audio Module**, item No.: **LS5B-N11S, LS5B-N11S-A** were identical inside, the electrical circuit design, layout, components used and internal wiring, with only difference being

LS5B-N11S – external antenna type

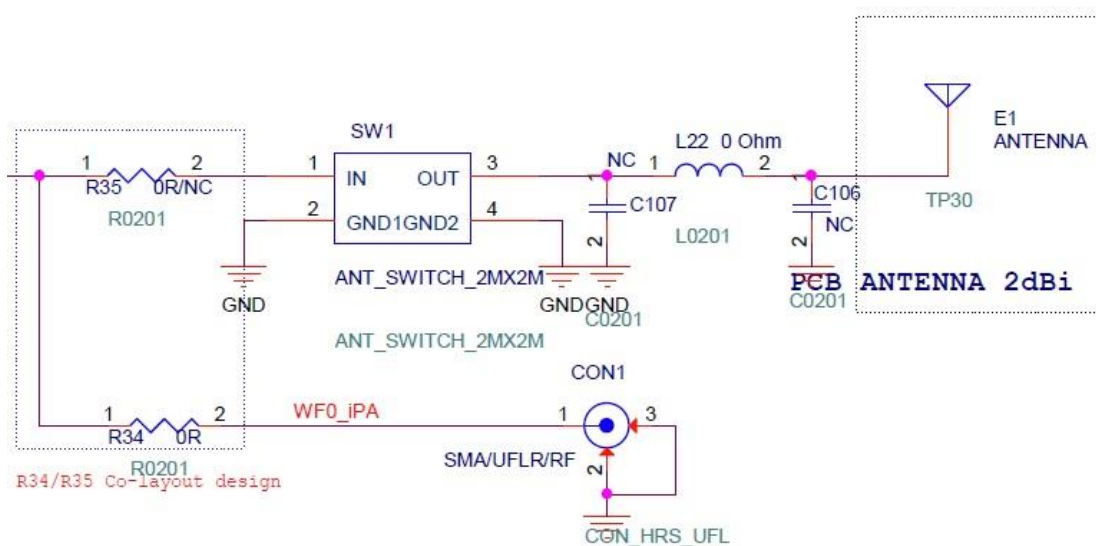
LS5B-N11S-A - PCB antenna type

The differences are as detailed in the table below.

The same PCB is used for both types.

Description	LS5B-N11S	LS5B-N11S-A
Antenna Type	External Omni directional Antenna	PCB Printed Antenna
Connector Type	IPEX - MHF connector	RF Inspection switch only for testing purpose
Not populated components	R35,SW1,L22	R34, CON1
Mounted components	R34, CON1	R35,SW1,L22

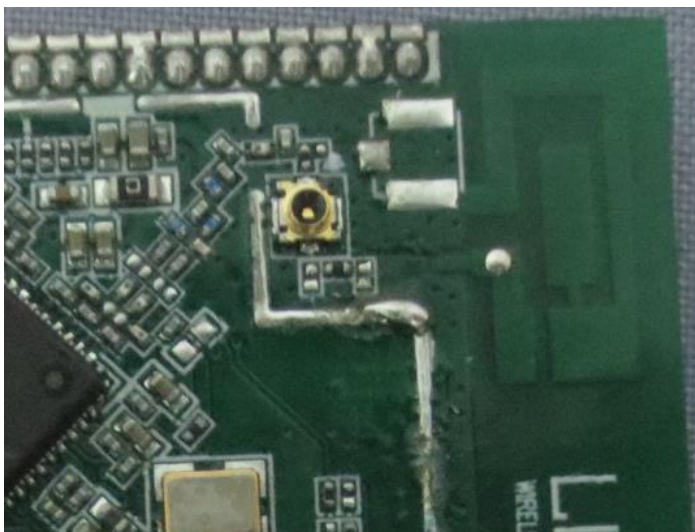
Please refer to the following section of the schematic diagram...



LS5B-N11S - External antenna type



LS5B-N11S-A - PCB antenna type



Sincerely yours,

Dated this: 2015-08-21

Signature:

Name/Title: Hooman Kashef/manager
Tel. No.: (513) 300-9190
Fax No.: (513) 300-9190
E-Mail: hooman.kashef@librewireless.com
Company Name: Libre Wireless Technologies Inc.